



# VistaLine

Frameless Fixed Panel Clamp Rail for 8 - 15mm Glass.

## Features

- Wall profile to accommodate 4 different glass thicknesses
- No holes or glass preparation required
- Extended clamp leg gives extra glass support
- 2 standard clip-on covers sizes to match most shopfront sections

## Specifications

Max panel height: 3000mm  
 Max panel width: 2000mm  
 Recommended glass thickness: 8 - 15mm

Please contact Hillaldam for anything in excess of the above specifications.

For specialist projects contact:



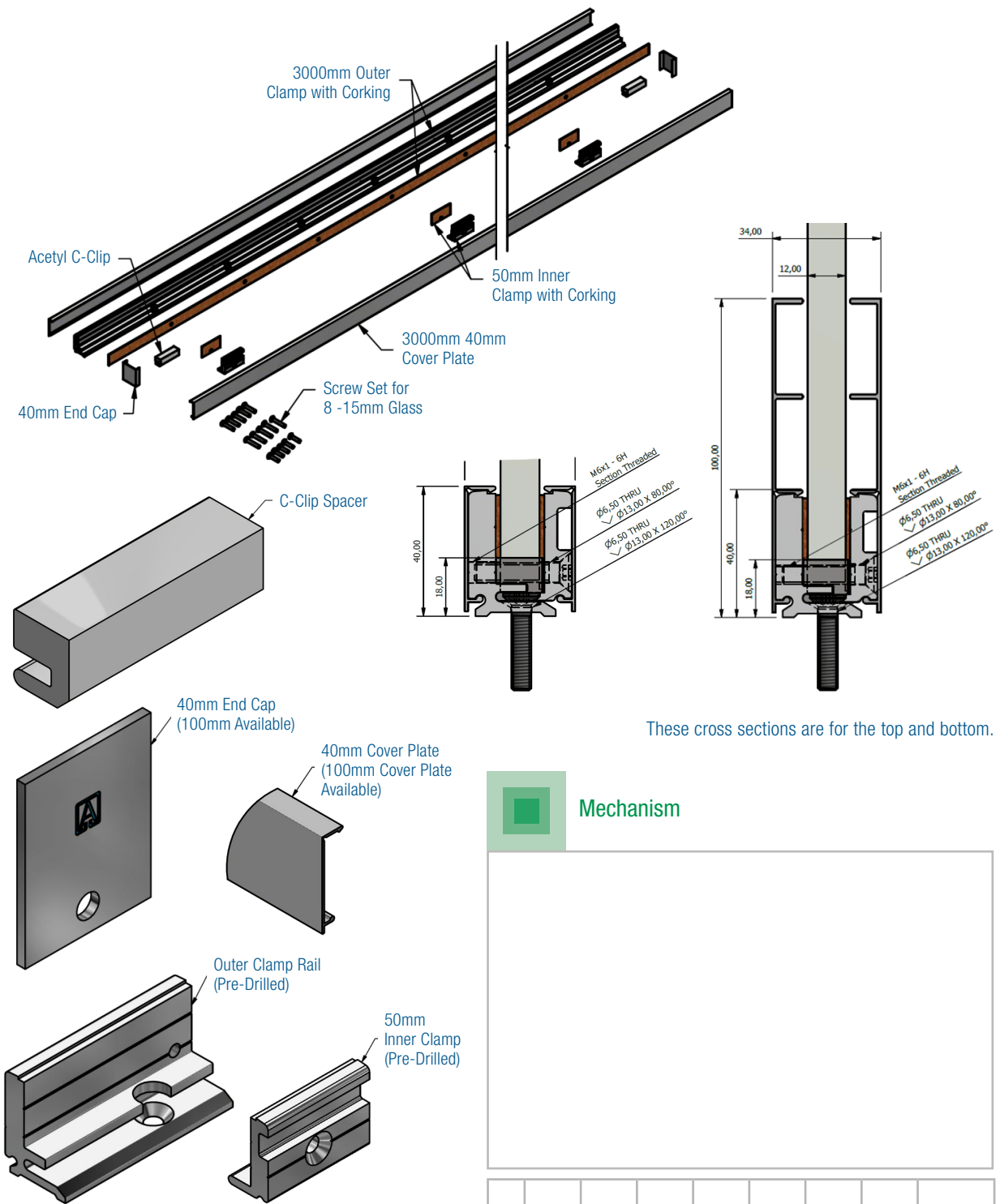
South Africa: +27 11 626 1001  
 www.hillaldam.com

## Components

- 1 x 3m Outer Clamp
- 5 x Inner Clamps
- 2 x Acetyl Spacer Blocks
- End Cap Adapter Kits available in 10mm; 12mm; 15mm

### NOTE:

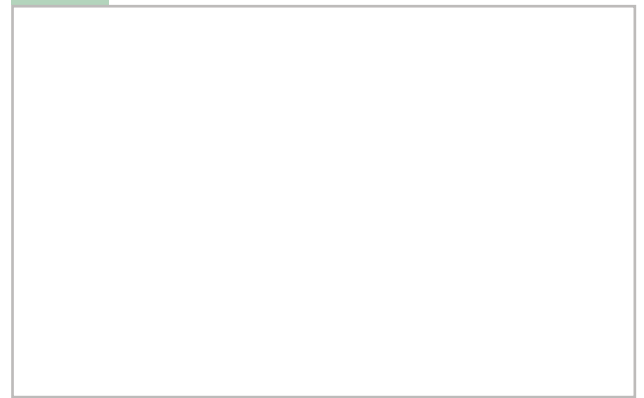
- This product has been SAGA tested. Contact Hillaldam for certification.



These cross sections are for the top and bottom.



## Mechanism



**Straight sliding door systems**  
 (Domestic, Commercial, Shop fitting, Hospital, Industrial)