

Downee Gravity Latches DPG100 Single Sided Gravity Latch

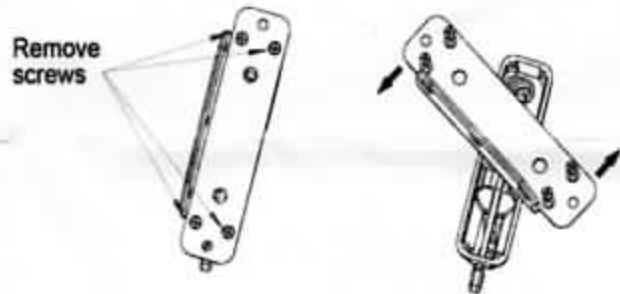
Installation, instruction and maintenance sheet

PLEASE CAREFULLY READ ALL OF THE INSTRUCTIONS PRIOR TO INSTALLATION

Step 1

The DPG100 Single Sided Gravity Latch is designed to fit both right-hand and left-hand applications. To conform to your application the latch assembly may need to be reversed. To reverse the latch assembly: remove the four screws holding the mounting base, carefully lift and rotate the mounting base.

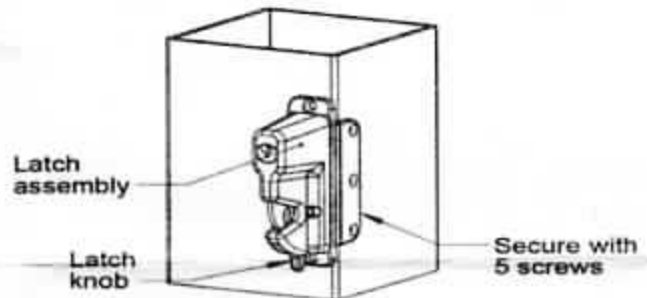
IMPORTANT:
INNER COMPONENTS MUST NOT BE DISTURBED WHILE REVERSING THE ASSEMBLIES.



Step 2

Locate the desired mounting height for the DPG100 Single Sided Gravity Latch on the fence post, mark the centre points of the the 5 mounting holes, and drill appropriate pilot holes for mounting screws.

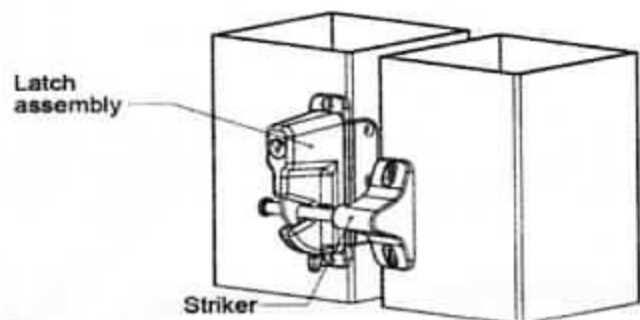
Realign the latch and attach to the post with the supplied flat head screws.



Step 3

After installing the latch assembly, position and attach the striker.

With the gate closed, position the striker with the striker rod within the latch assembly, behind the latch mechanism.



Step 4

After installation, it is important to TEST the locking and unlocking of the latch.
Lock: Turn key clockwise to stop point, then counterclockwise to the 12:00 o'clock position and remove key.

Unlock: Turn key counterclockwise to stop point, then turn key clockwise to the 12:00 o'clock position and remove key.

USE: Remove the key from the lock when it is not in use to prevent unauthorised access.

MAINTENANCE: Do not use petroleum based lubricants on the moving parts of the latch and lock. Lubricate with powdered graphite only. Keep the latch free of contaminants, such as sand, ice and dust, as they could impair its function.