

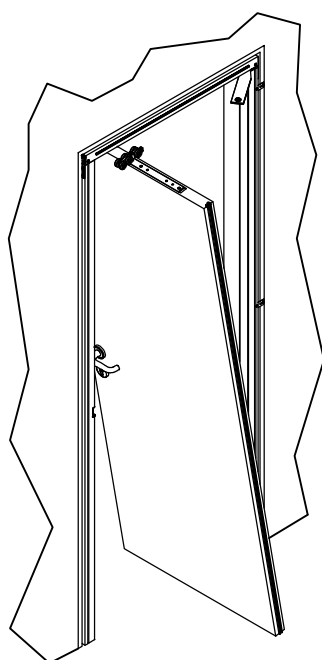
ERGON[®]

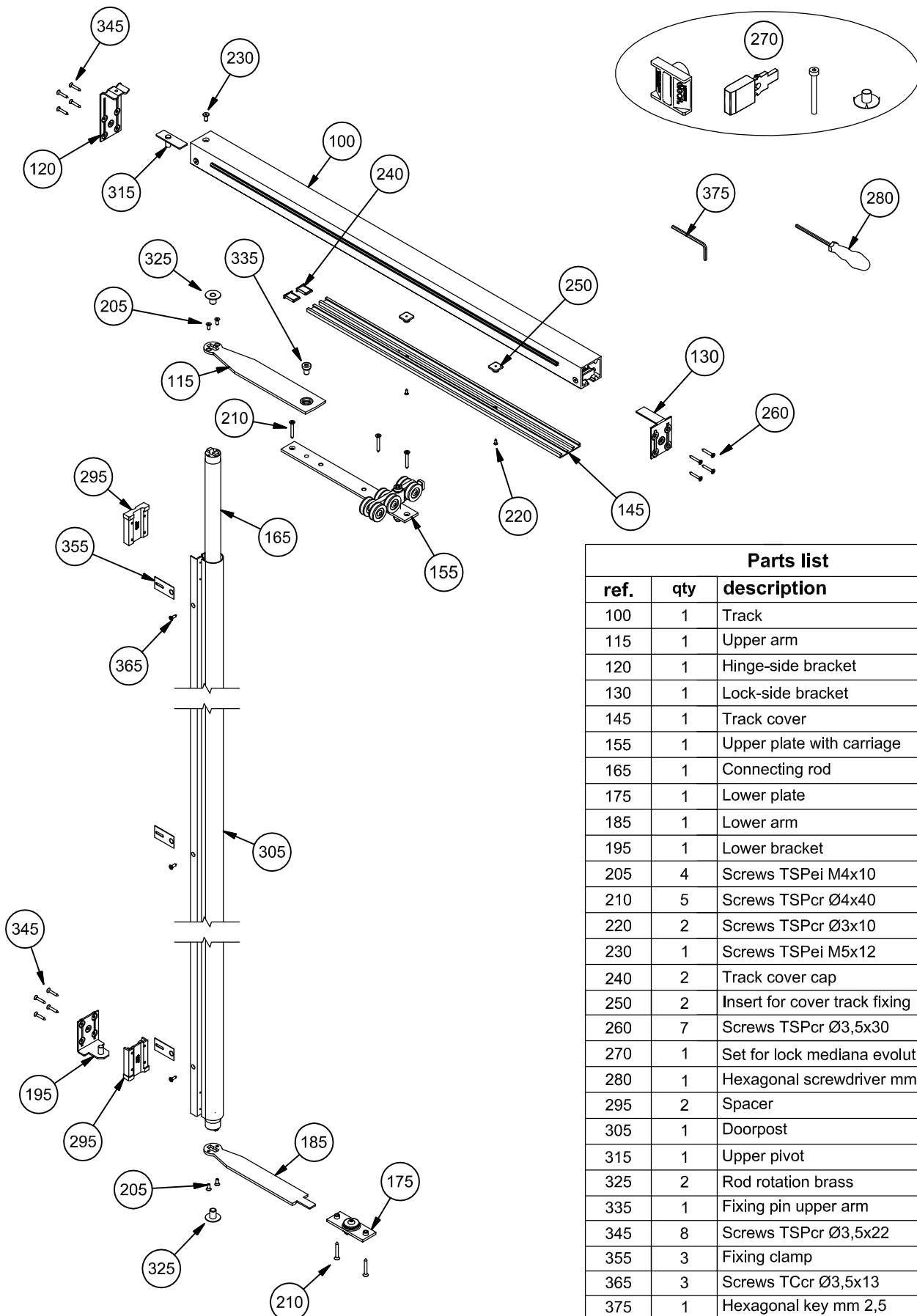
L I V I N G

SERIES T.E. HOME

INSTALLATION INSTRUCTION

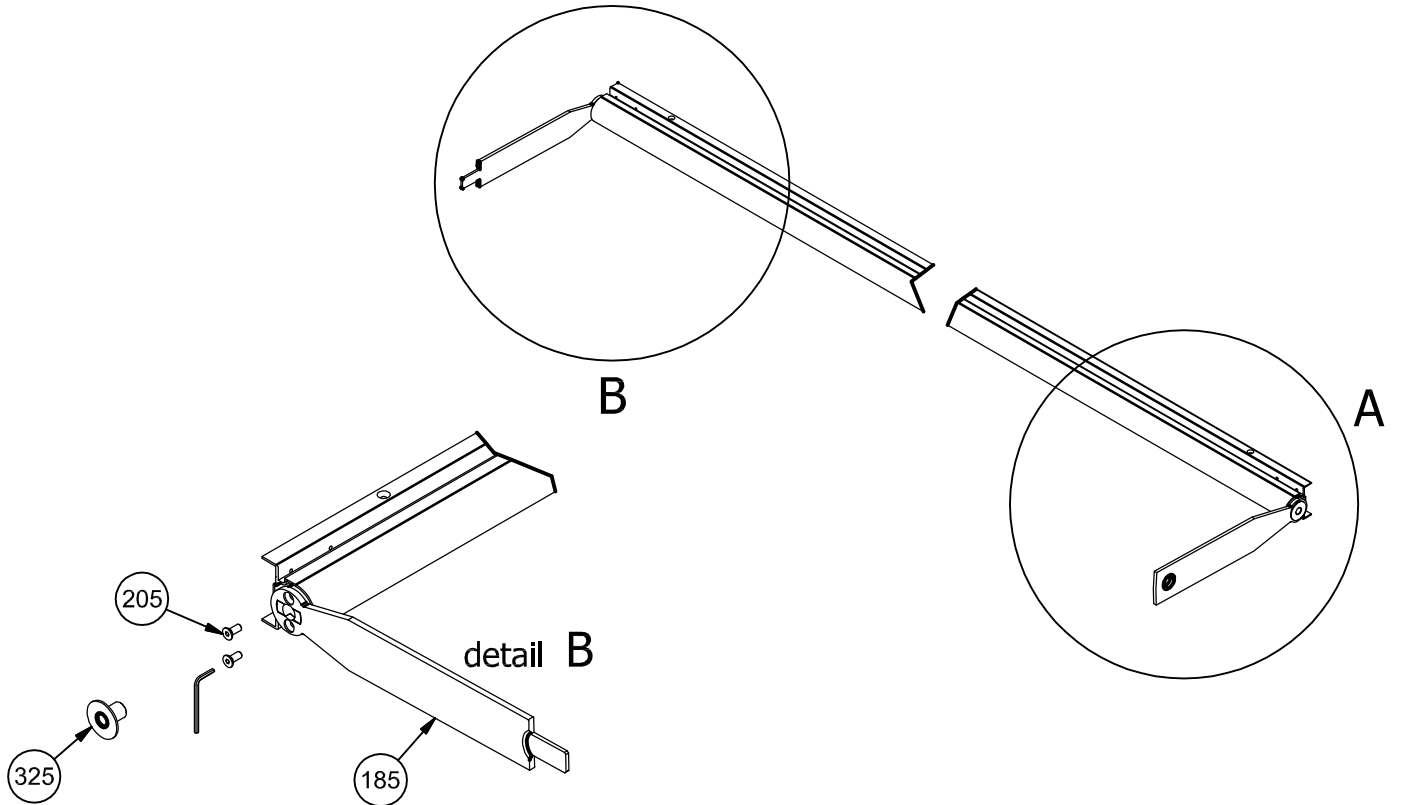
swinging-sliding door with connecting rod in the door jamb



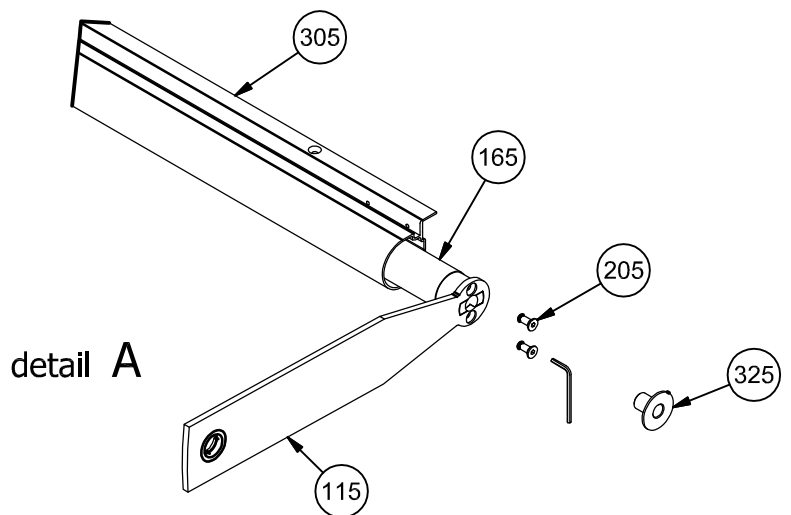


Parts list		
ref.	qty	description
100	1	Track
115	1	Upper arm
120	1	Hinge-side bracket
130	1	Lock-side bracket
145	1	Track cover
155	1	Upper plate with carriage
165	1	Connecting rod
175	1	Lower plate
185	1	Lower arm
195	1	Lower bracket
205	4	Screws TSPei M4x10
210	5	Screws TSPcr Ø4x40
220	2	Screws TSPcr Ø3x10
230	1	Screws TSPei M5x12
240	2	Track cover cap
250	2	Insert for cover track fixing
260	7	Screws TSPcr Ø3,5x30
270	1	Set for lock mediana evolution
280	1	Hexagonal screwdriver mm 2,5
295	2	Spacer
305	1	Doorpost
315	1	Upper pivot
325	2	Rod rotation brass
335	1	Fixing pin upper arm
345	8	Screws TSPcr Ø3,5x22
355	3	Fixing clamp
365	3	Screws TCcr Ø3,5x13
375	1	Hexagonal key mm 2,5

Install the upper and lower arms into the rod which is already inside the aluminium profile and mind the alignment, when you insert the brasses be careful to the kingpins on the bearing brasses: they must be inserted in the screws' hexagons.

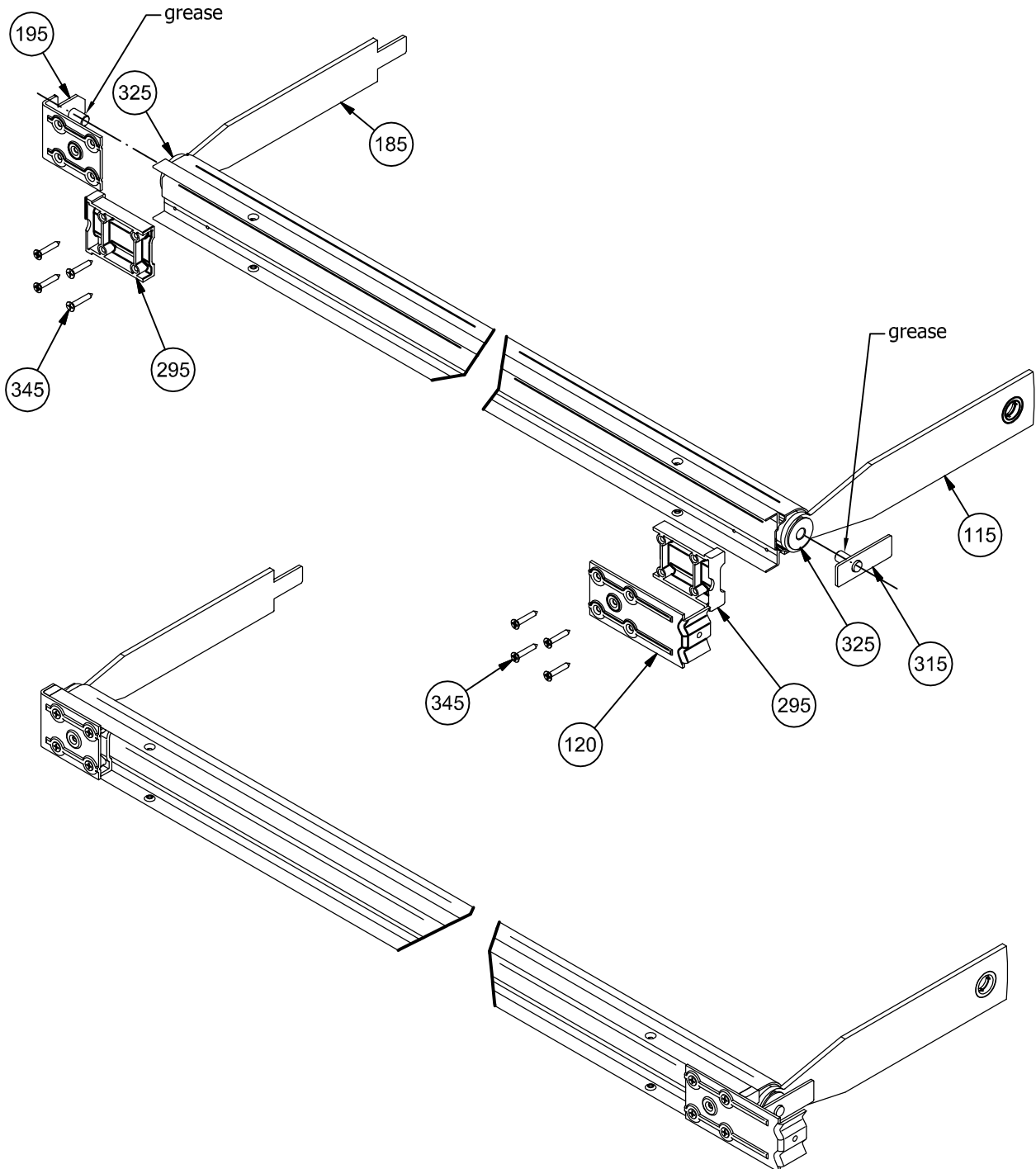


Attention!
Tighten firmly the screws (205) with a hexagonal spanner 2,5 mm. Make sure that the arm adheres to the pin plate of the connecting rod.

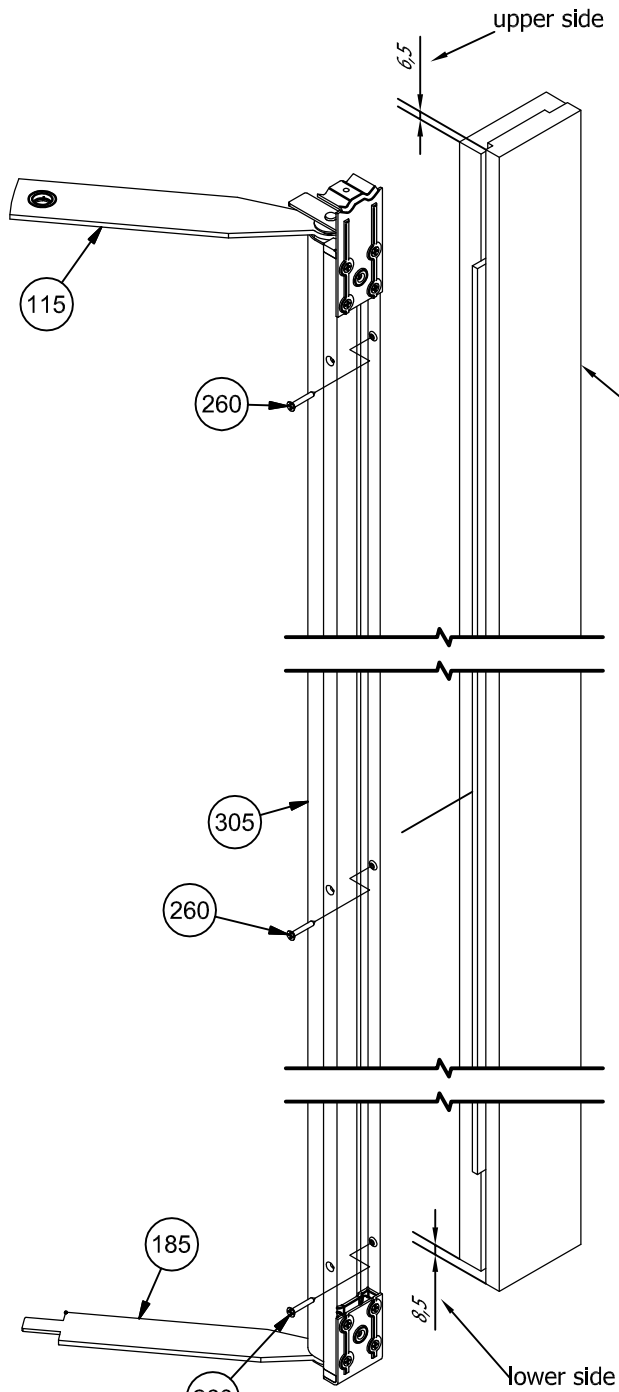


Parts list		
Ref.	Qty	Description
115	1	Upper arm
165	1	Connecting rod
185	1	Lower arm
305	1	Doorpost
325	2	Rod rotation brass
205	4	Screw TSPei M4x10 - ISO 10642

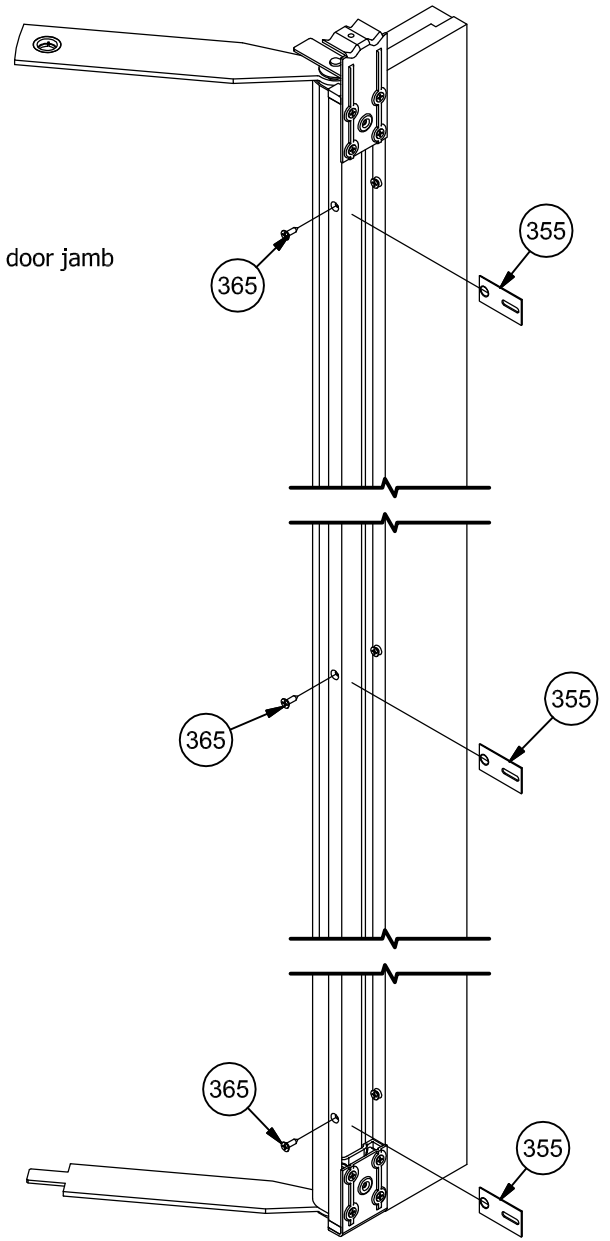
N.B.: check the correct brasses (325) installation.



Parts list		
Ref.	Qty	Description
115	1	Upper arm
120	1	Hinge-side bracket
185	1	Lower arm
195	1	Lower Bracket
295	2	Spacer
315	1	Upper pivot
325	2	Rod rotation brass
345	8	Screw TSPcr Ø3,5x22

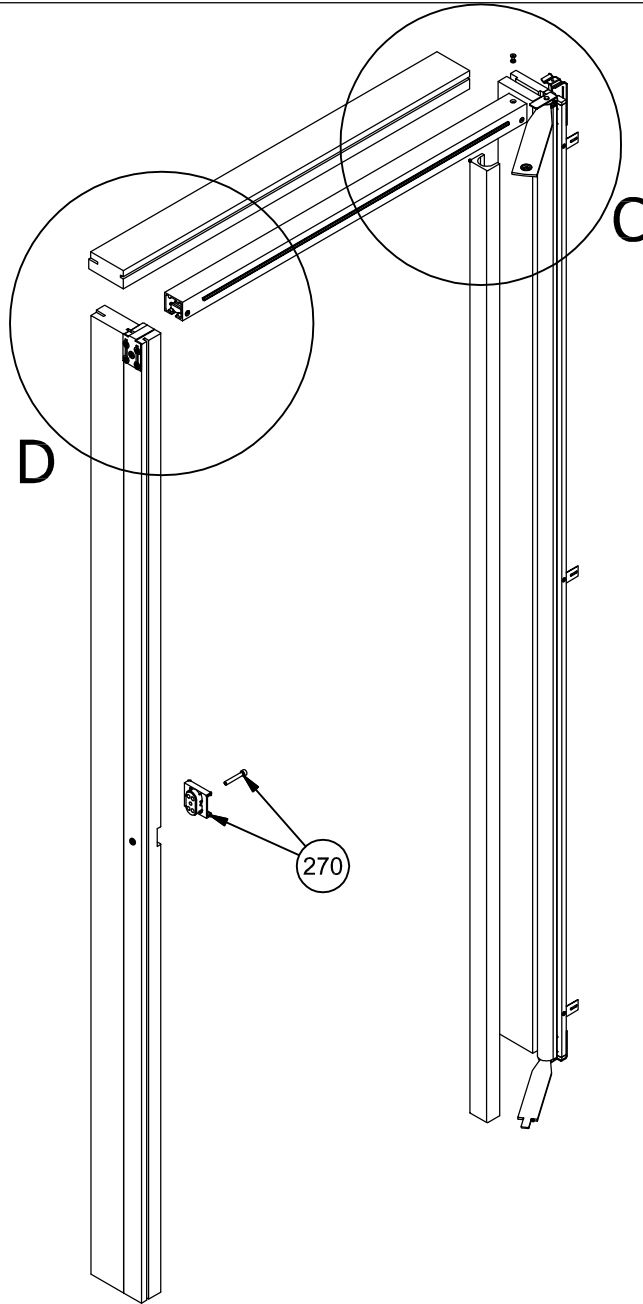


Assembling door jamb

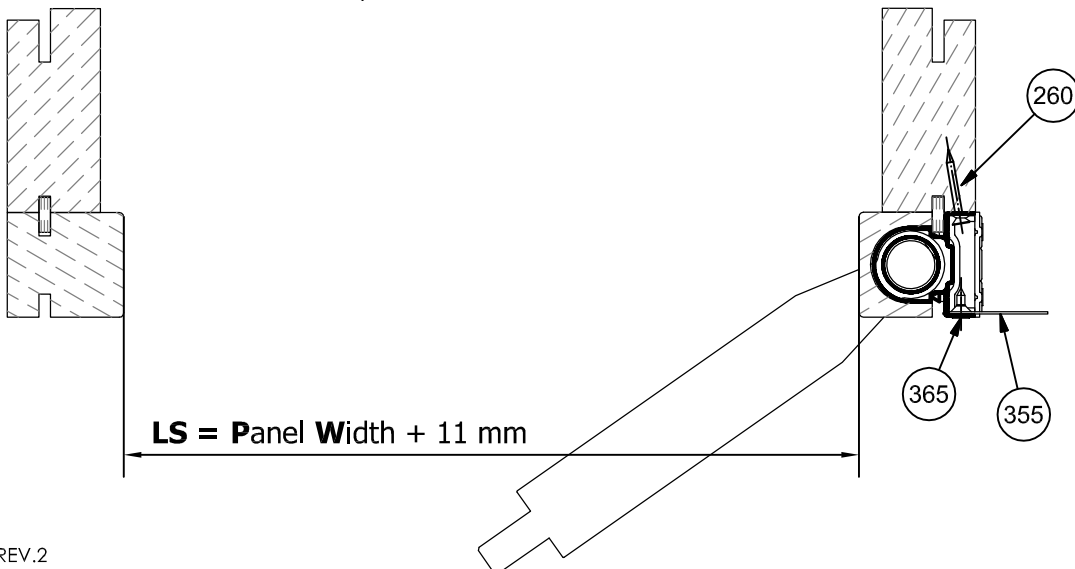


Assembling fixing clamp

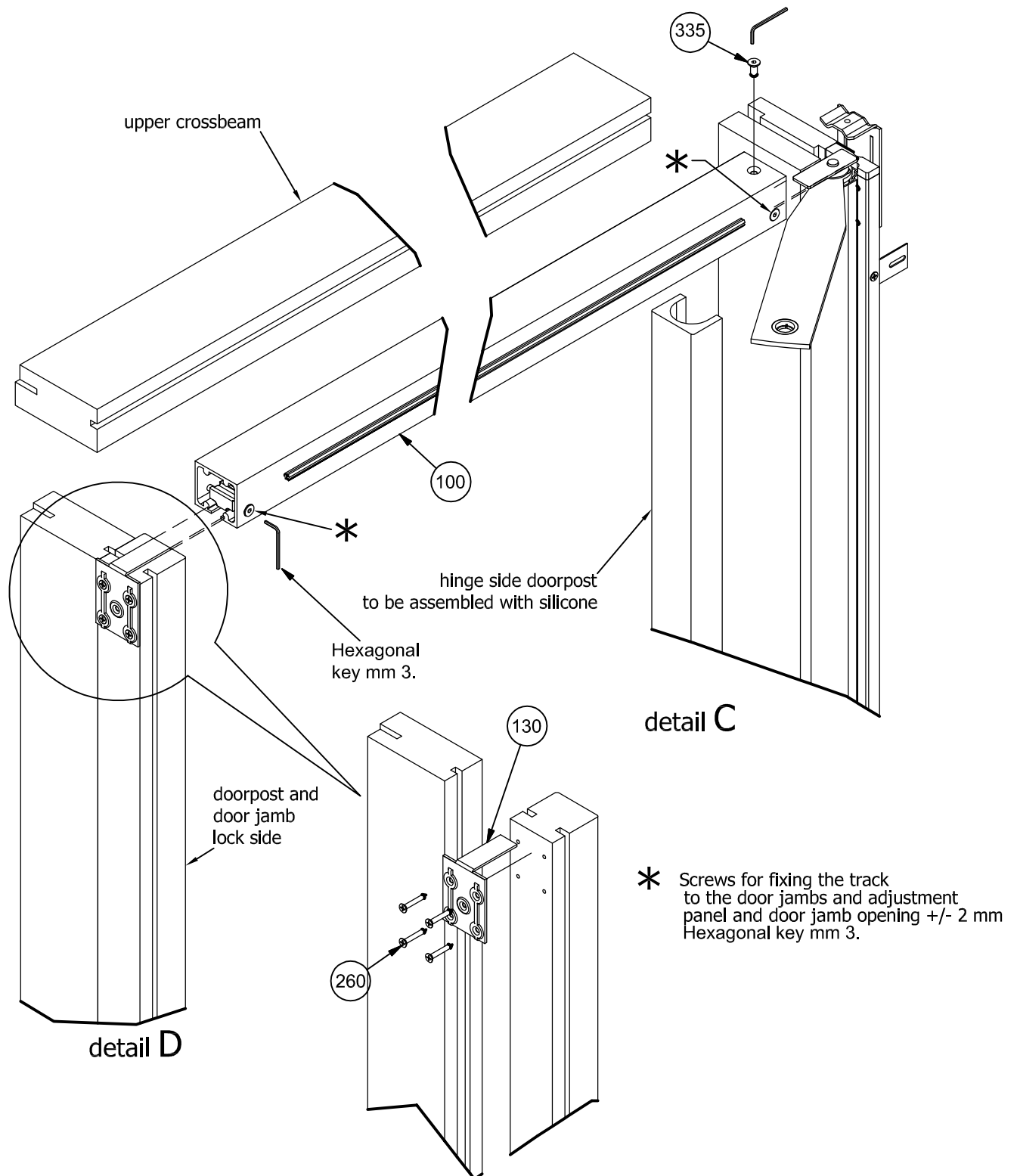
Parts list		
Ref.	Qty	Description
115	1	Upper arm
185	1	Lower arm
260	3	Screw TSPcr Ø3,5x30 - DIN 7505-A
305	1	Doorpost
355	3	Fixing clamp
365	3	Screw TSPcr Ø3,5x13 - ISO 7050



N.B. Details **C - D**
see page 6

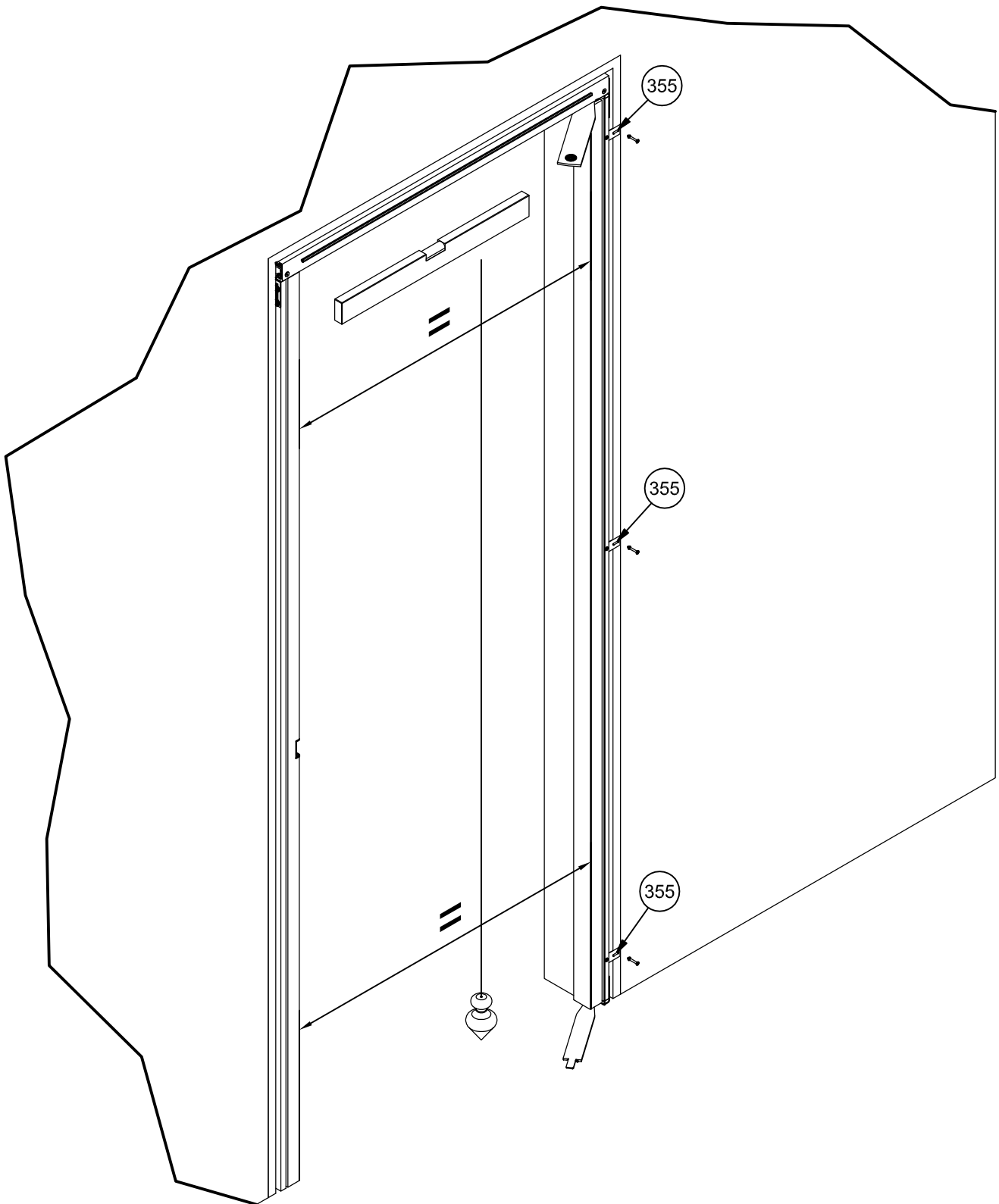


Parts list	
Ref.	Description
260	Screws TSPcr Ø3,5x30 - DIN 7505-A
270	Set for lock mediana evolution
355	Fixing clamp
365	Screw TSPcr Ø3,5x13 - ISO 7050

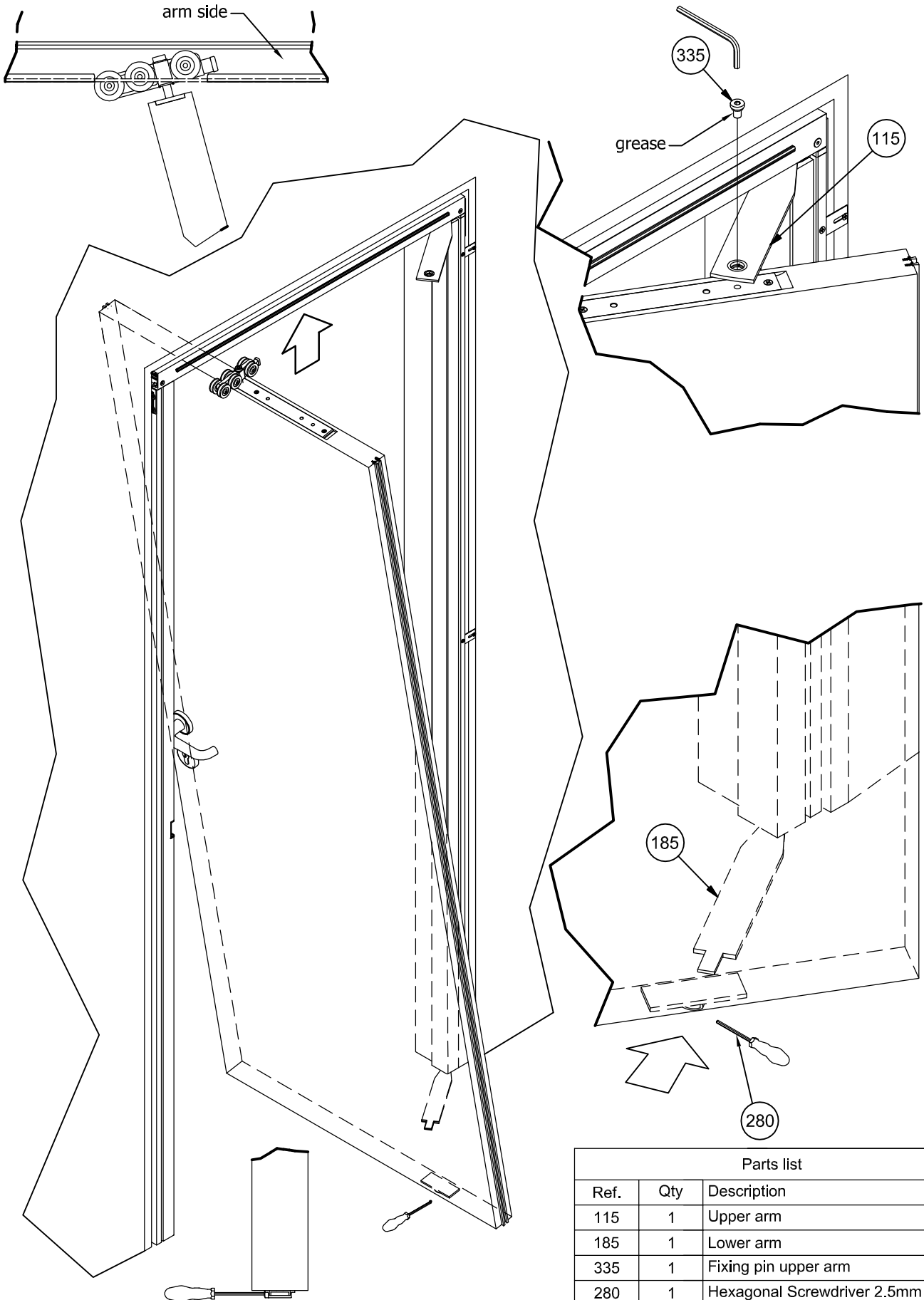


Parts list		
Ref.	Qty	Description
100	1	Track
130	1	Lock-side bracket
230	1	Screw TSPei M5x12 - ISO 10642
260	4	Screws TSPcr Ø3,5x30 - DIN 7505-A

N.B. The levelling of the track and the plumb of the door jambs must be precise.

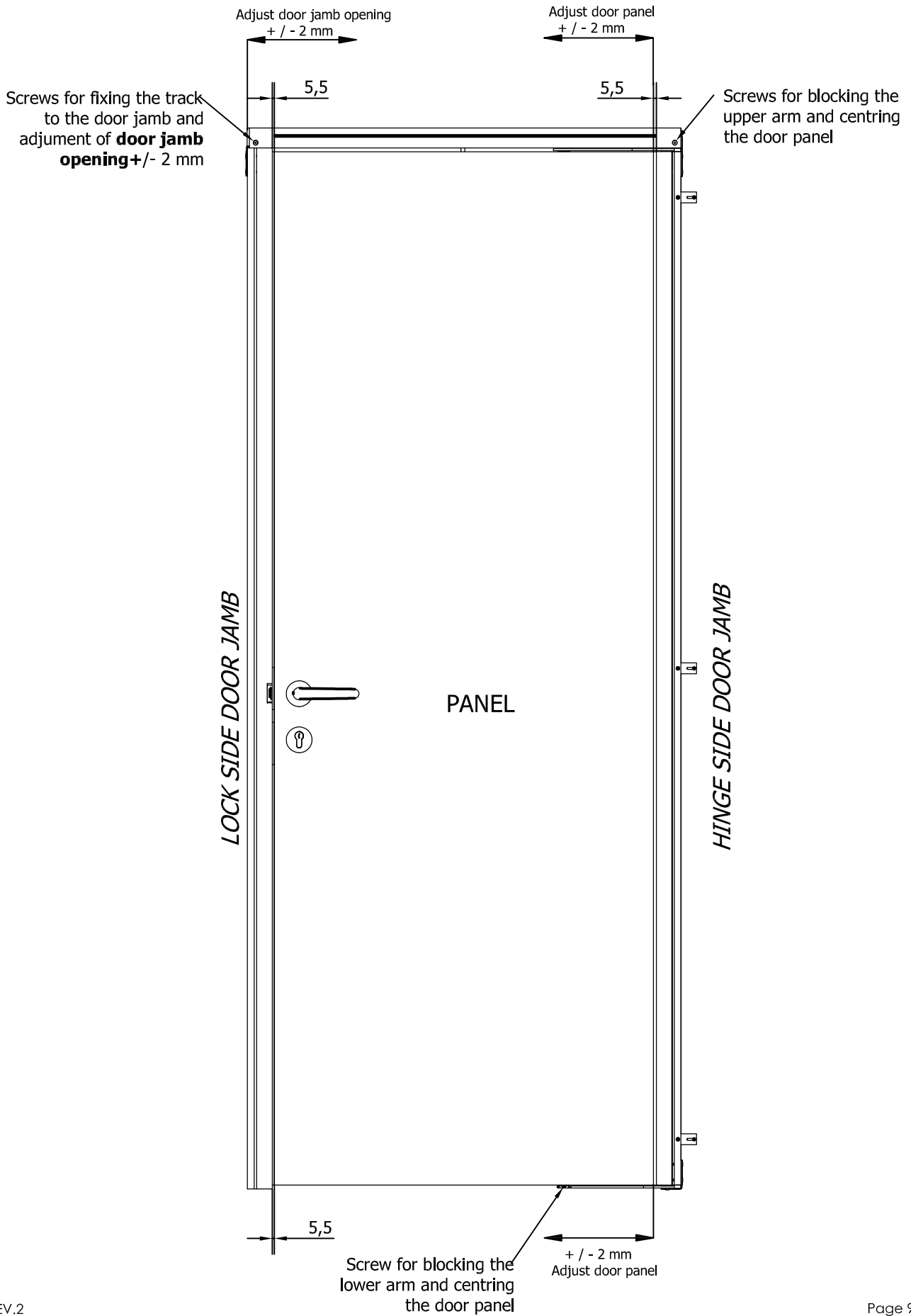


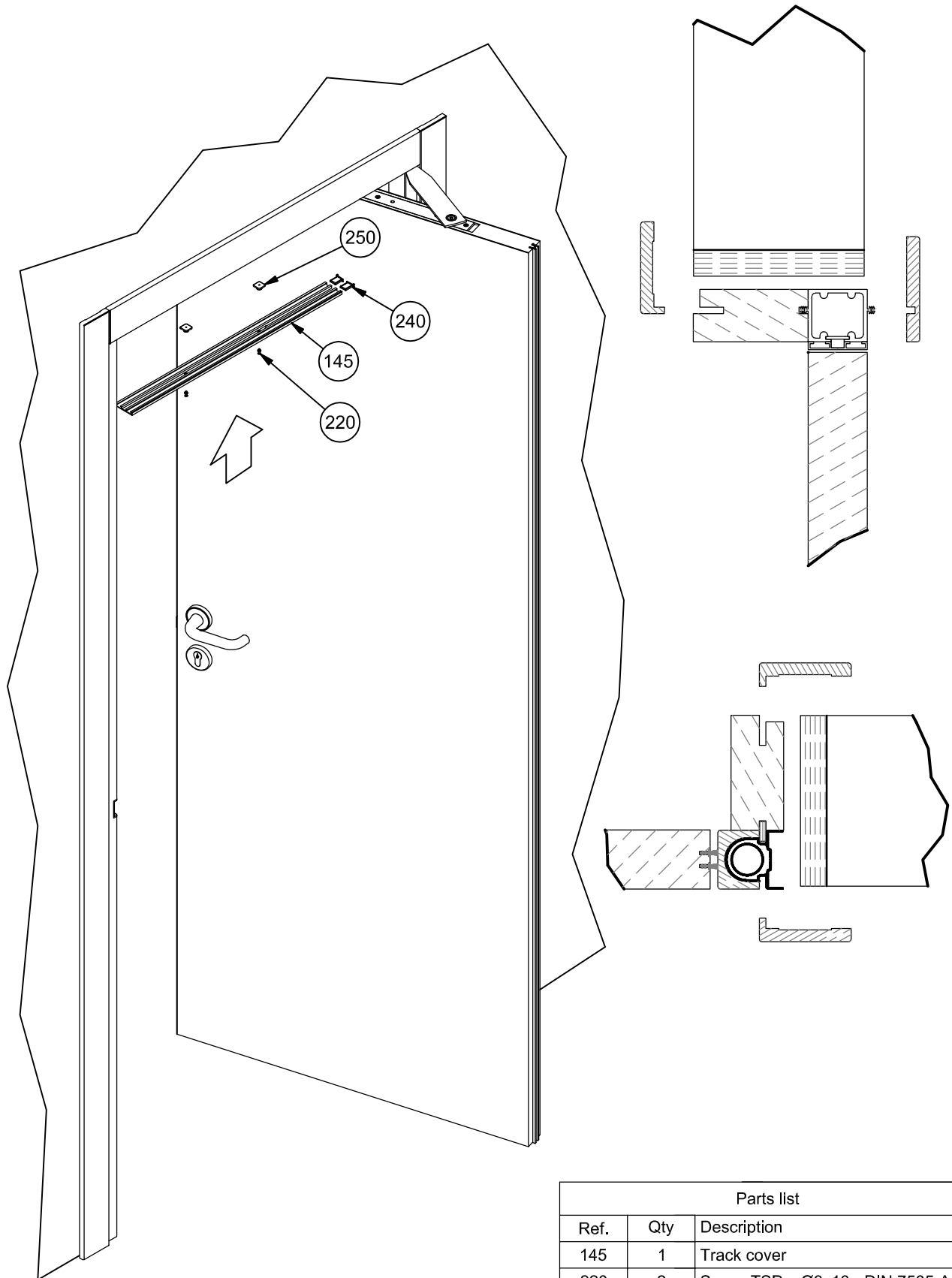
Parts list		
Ref.	Qty	Description
355	3	Fixing clamp



Parts list		
Ref.	Qty	Description
115	1	Upper arm
185	1	Lower arm
335	1	Fixing pin upper arm
280	1	Hexagonal Screwdriver 2.5mm

ADJUSTING DOOR PANEL AND DOOR JAMBS





Parts list		
Ref.	Qty	Description
145	1	Track cover
220	2	Screw TSPcr Ø3x10 - DIN 7505-A
240	2	Track cover cap
250	2	Insert for cover track fixing