

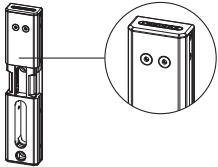
# LOCINOX<sup>®</sup>

Let's make better fences together

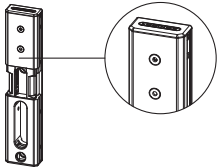
## MODULEC-SH: Emissa/Ruptura

### Versions

#### EMISSA-(fail close)

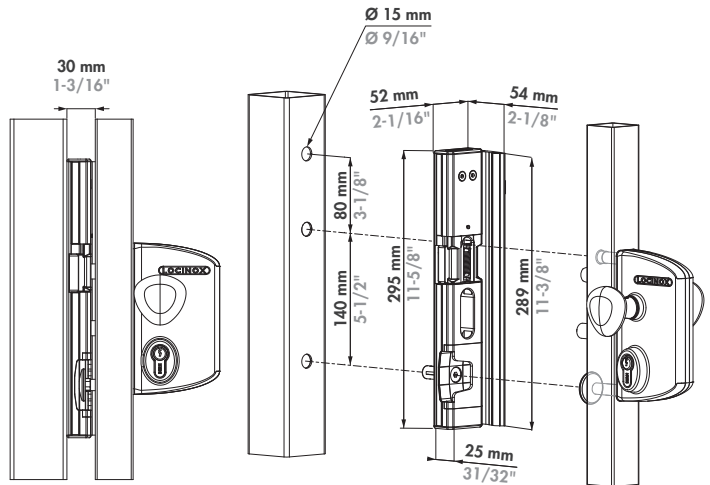
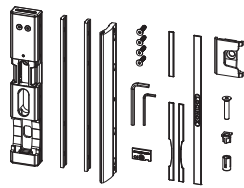


#### RUPTURA-(fail open)

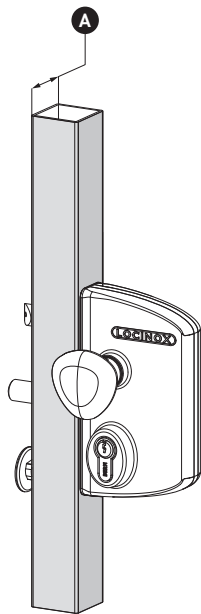


### ① Exploded view & dimensions

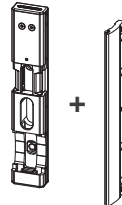
#### Package content



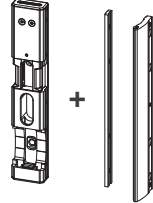
### ② Gate profile dimensions



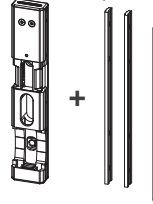
**A** = 40 mm  
1-5/8"



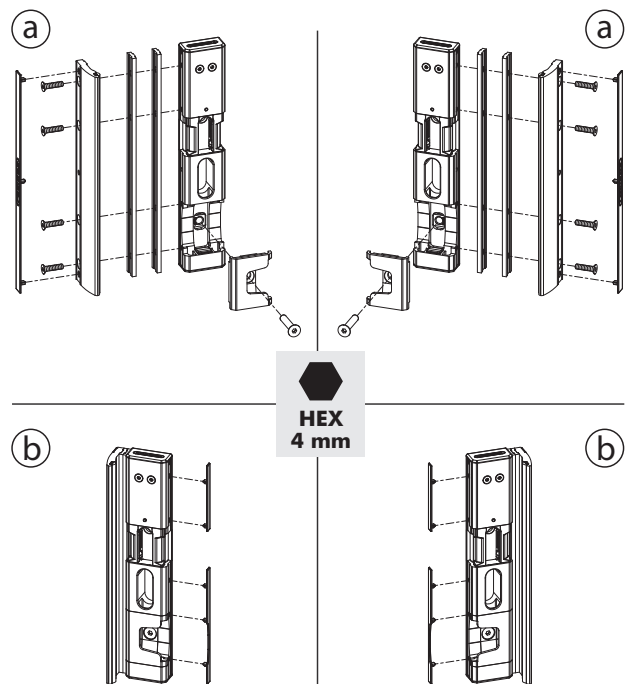
**A** = 50 mm  
2"



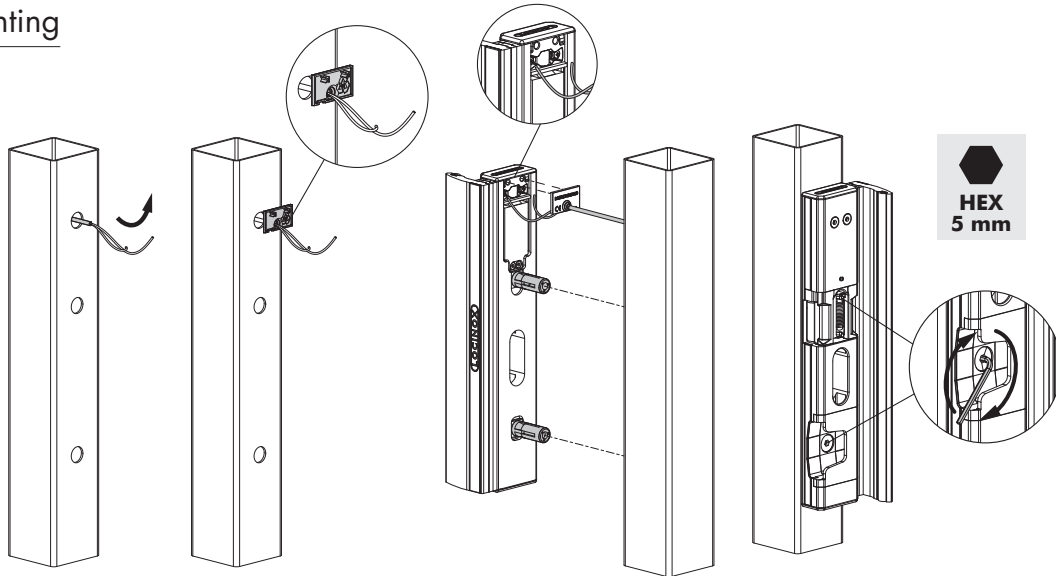
**A** = 60 mm  
2-3/8"



### ③ Left or right mounting



#### ④ Mounting

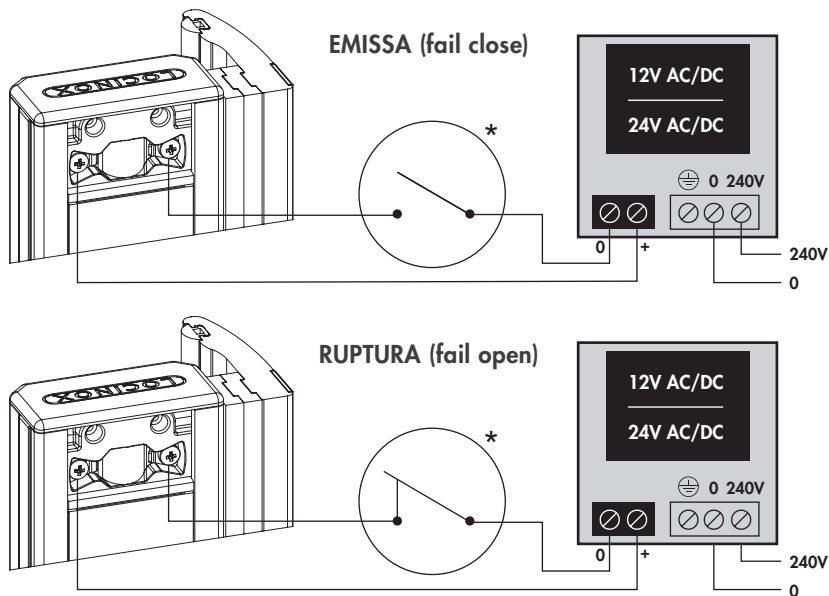


#### ⑤ Connecting

Technical specifications



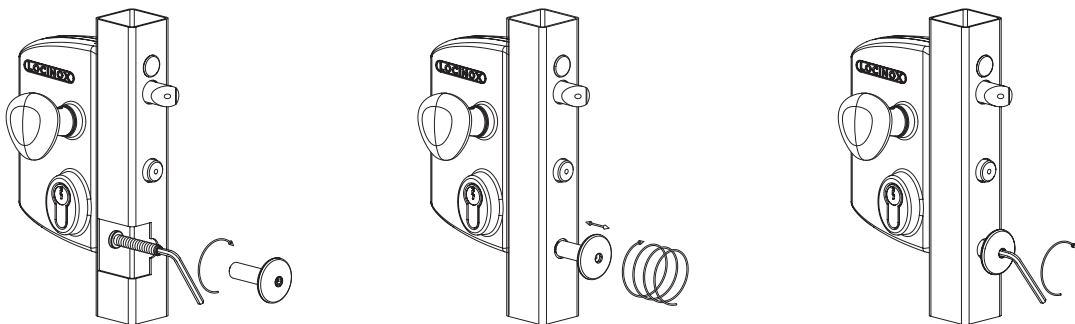
U: 12 V AC/DC  
I: 1,25 A  
U: 24 V AC/DC  
I: 0,62 A  
P: 15 W



\*Optional SlimStone keypad



#### ⑥ Mounting the mushroom on gate lock



**LOCINOX**<sup>®</sup>  
WWW.LOCINOX.COM

Doc. Nr.: MANU-000375



\* M A N U - 0 0 0 3 7 5 \*

Locinox nv • Mannebeekstraat 21 • B-8790 Waregem • Belgium  
Tel. +32 (0)56 77 27 66 • Fax. +32 (0)56 77 69 26 • E-mail: locinox@locinox.com