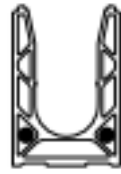


1 - Fit 2 SADEV pins connector in the rail section holes.

Location of spring pins

007Goup-
EVO-14-40

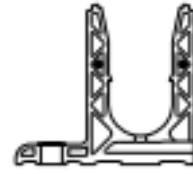


7030
7031
7032

D1481A1-08-50



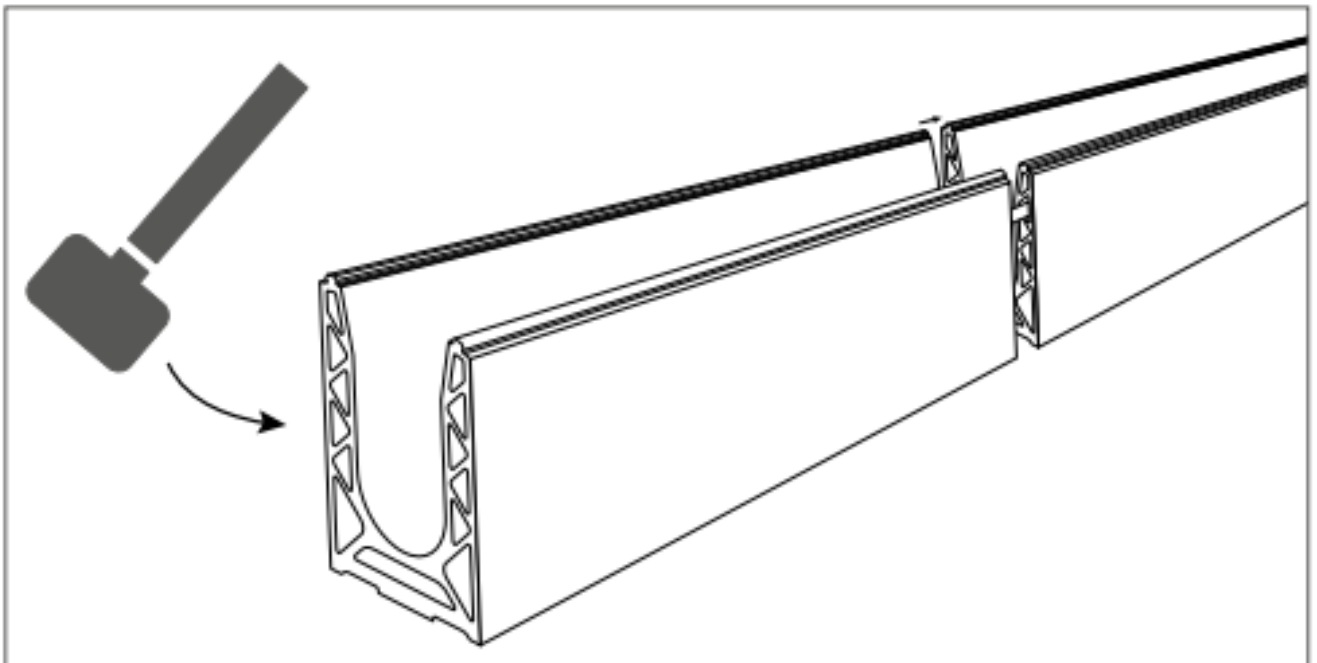
7010
7011
7011R
7012



7015



7013



2 - Connect the rails together by using a mallet.