

Product description: Ø 50 mm slab nose railing - private and public application

Reference: **00 01 10**



Finish : glass bead or brushed

- **Many adjustments:** horizontal, vertical, depth.
- Many dimensions certified by the **CEBTP** (french experimental and research center for buildings and public works) approving **installations in public places.**
- A **design** solution which allows a perfect glass transparency.
- Easy to install.
- Available **on stock** in 304 and 316 stainless steel.
- *For further information, please read the technical DECOR catalog, pages 5.14 and 5.15.*

12 mm
to
31.52 mm

MAX 250 kg



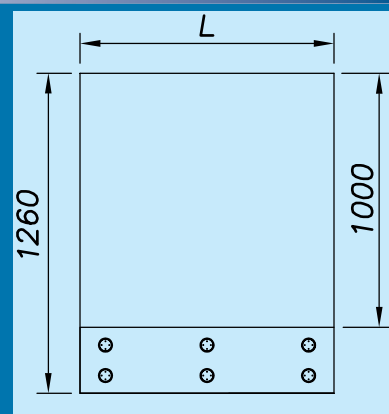
Technical information for a private application

WxH	Thickness	Fixings	Interaxial
L = 1000 to 1500 H = 1000 to 1400	12 to 25.5	6 or 8	400 max.

Technical information for a public place installation

* Official trial reports available when ordering

WxH	Thickness	Fixings	Interaxial	Trials
1000 x 1260	15.15/4	6	400	Stat. norm. : 100 daN/m Stat. secu. : 300 daN/m Dyn. : 900 J / 700 J
1200 x 1260	15.15/4	8	333	Stat. norm. : 100 daN/m Stat. secu. : 300 daN/m Dyn. : 900 J / 700 J
1400 x 1260	15.15/4	8	400	Stat. norm. : 100 daN/m Stat. secu. : 300 daN/m Dyn. : 900 J / 700 J



2011 prices (gross price per unit)

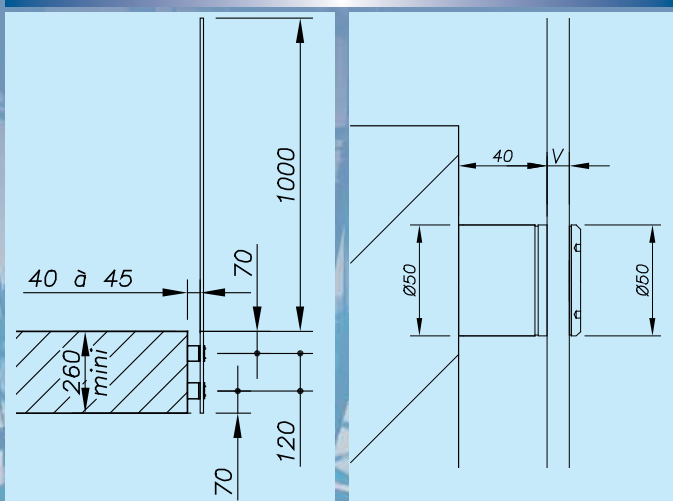
Product reference	Inox	Glass thickness
000 110	Inox 304	12 ≤ 25.52 mm
000 110 A4	Inox 316	12 to 25.52 mm
000 110-31	Inox 304	25.52 ≥ 31.52 mm
000 110-31-A4	Inox 316	25.52 to 31.52 mm

Product description: Ø 50 mm slab nose railing - private and public application

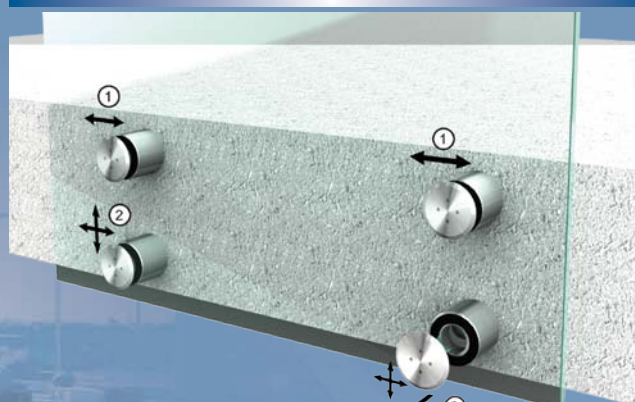
Reference: 00 01 10



Dimensions

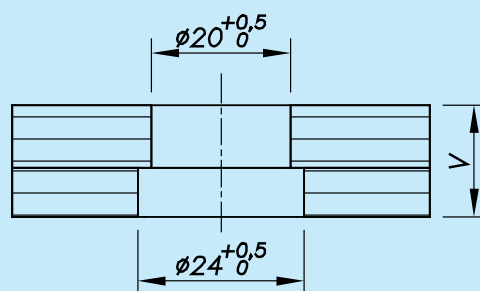
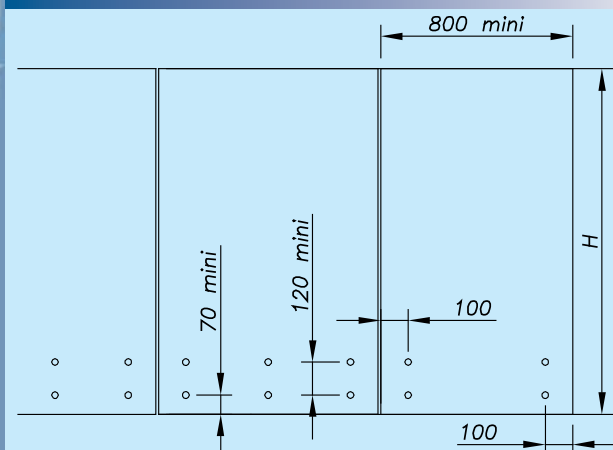


Adjustments



Adjustment (1): ± 5 mm horizontal adjustment
 Adjustment (2): ± 5 mm vertical adjustment
 Adjustment (3): 0 / + 5 mm width adjustment

Glass drilling



The smallest hole on the wall point fixing side