

NEW

The **glass balustrade**  
for **housing & offices**

**O**PTIMAL  
BY ITS **PRICE**

**S**IMPLE  
INSTALLATION

**F**LEXIBLE  
BY ITS TYPES OF MOUNTINGS

# OPTIMAL

BY ITS **PRICE**

BY ITS **COMPACTNESS**

BY ITS **PERFORMANCE**

## Its design is minimalist like its price!

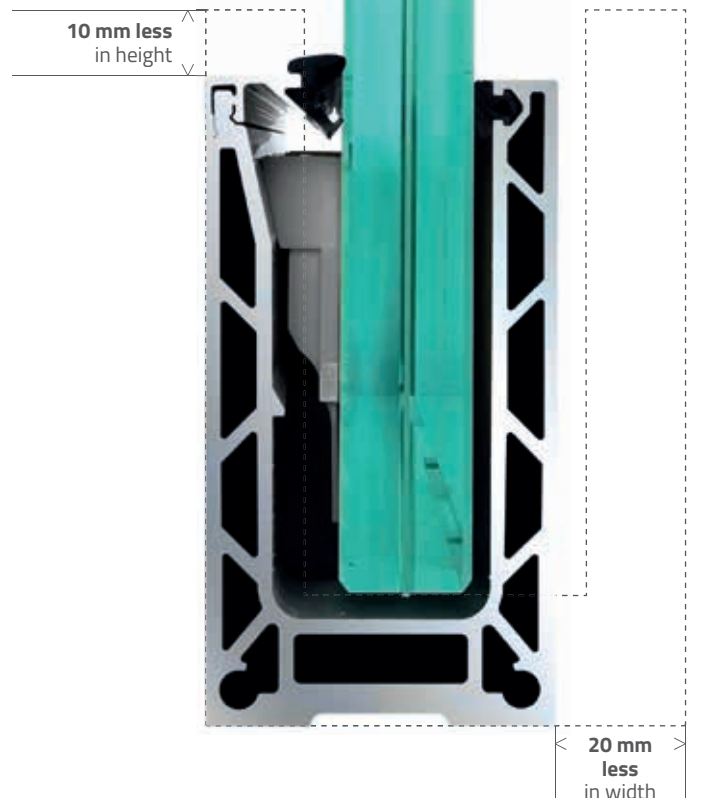
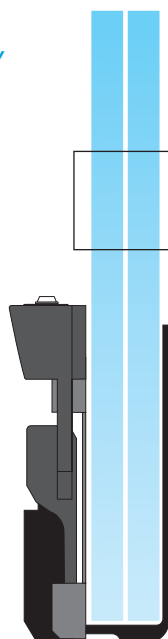
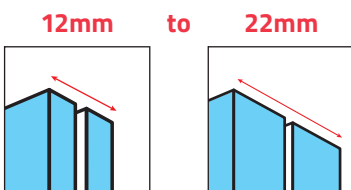
This new **OSF rail** is the narrowest in its category: **55 mm wide**, the most efficient on the market with this compactness. It can be used to create guardrails that meet ERP standards. Glass thicknesses range from **12 to 22 mm**.

**For a price defying all competition!**

TESTED & APPROVED ✓

## WIDE COMPATIBILITY OF GLASS

Glass: **from 12 to 22mm**  
**Monolithic or laminated**



# SIMPLE

TO ORDER

TO STORE

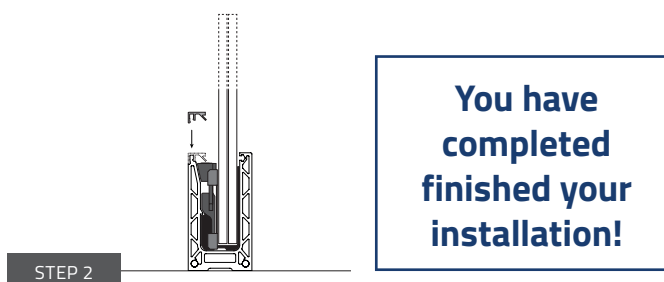
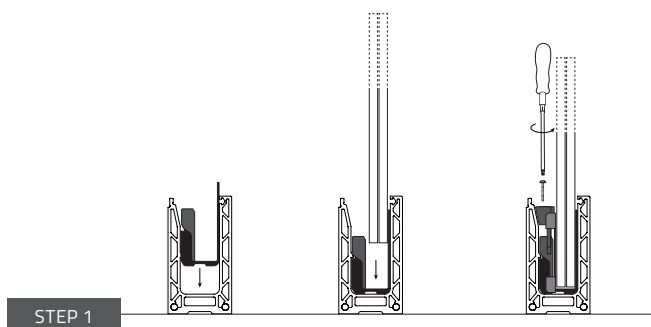
TO INSTALL

Less accessories... **Your order is simplified.**  
Its weight and size **optimize its storage.**

**Easy to install from one side only!**

**Installation is quick and easy in two steps:**

- first, you have to put the wedge in position and tighten it, on one side of the glass (ONE SIDE),
- the second and final step is to install the single cover and gasket.



## INSTALL, IT'S FIXED!

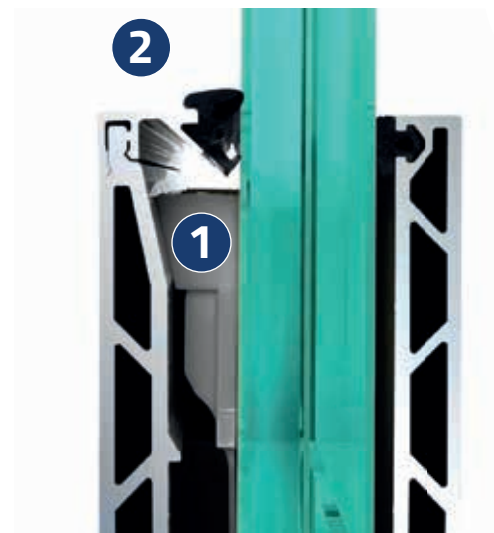
### 1 ONE SIDE ONE STEP!



Optimize your installation times even more!  
Very fast tightening, on one side only.

### 2 CLADDING WITH GASKET

Only one cladding to fix



# FLEXIBLE

BY ITS **TYPES OF MOUNTINGS**

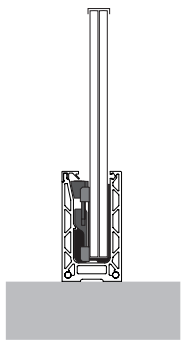
BY ITS SUPPORTS

BY ITS APPLICATIONS

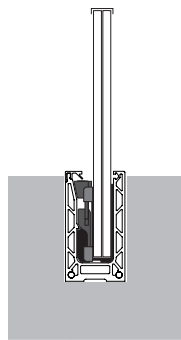
## Flexible, it adapts to all situations!

The OSF system can be used in many different installation configurations: **floor, recessed, lateral, inverted lateral, curved, rampant...**

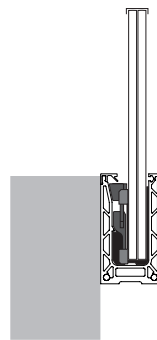
It can be fixed on all structures (concrete, wood, metal), and meets the requirements of private and public applications.



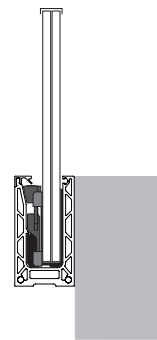
**FLOOR MOUNTING**



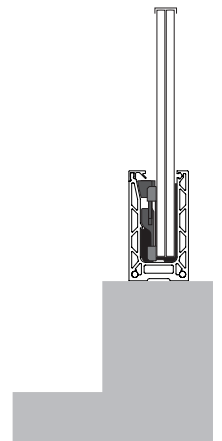
**BUILT-IN-SLAB MOUNTING**



**LATERAL MOUNTING**

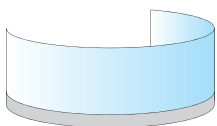
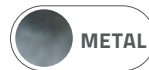
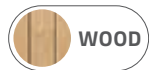


**LATERAL INVERTED SIDE MOUNTING**



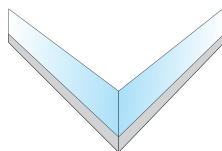
**ACROTERION MOUNTING**

Compatible with all structures



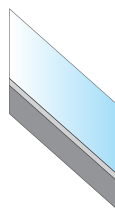
**CURVED**

Curved railings. Bending is possible from a minimum radius of 1 meter.



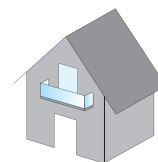
**TAILOR MADE**

Adapts to even the tightest corners.

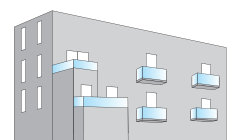


**INCLINE**

Up to 40° angle to the horizontal.



**PRIVATE**



**PUBLIC**

# OPTIMAL, SIMPLE, FLEXIBLE... AND ECOLOGICAL!



Packaging &  
recyclable product

Our wedges are made  
with **100% recycled ABS plastic**  
(*Acrylonitrile Butadiène Styrène*).

At each end of life of our holds,  
this material is recovered and mixed  
with virgin ABS to make new products.



Our patented  
systems are  
**made in France.**



## SUSTAINABLE, a priority

**Our products** are designed  
**to be sustainable**, not only through  
**their performance** but also through  
the **choice of materials used**.



HANDRAILS

CHOOSE **your style**

Maintain an elegant and successful design of your railing by opting for a handrail that will give contrast to your project.

In addition to the aesthetic side, **its primary function** is **the protection of the top of the glass** which is the most fragile part.

 **Our EXPERT advice:** The installation of an aluminum or stainless steel handrail allows an easy alignment of the glass panels.



GLASS CLAMPED HANDRAIL  
**Fixing between glasses**

Ref. Page 12

**ITS ADVANTAGES:**

- Allows you to attach a handrail
- Easy to assemble
- Very resistant



CONNECTOR  
**for glass**

Ref. Page 12



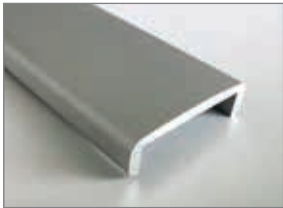
**WOOD,  
an authentic choice**

**An ecological material and natural.**

**ITS ADVANTAGES:**

- Noble and natural material
- Easy change of color (varnish or paint)
- Warm atmosphere

Ref. Page 12



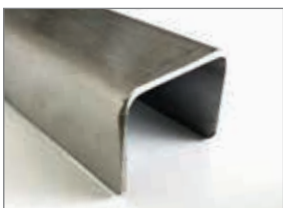
**ALUMINUM,  
a modern look**

**The right finish for different project styles.**

**ITS ADVANTAGES:**

- Resistant and durable material.
- More sober effect.
- Very little maintenance (Sadev cleaning kit).

Ref. Page 12



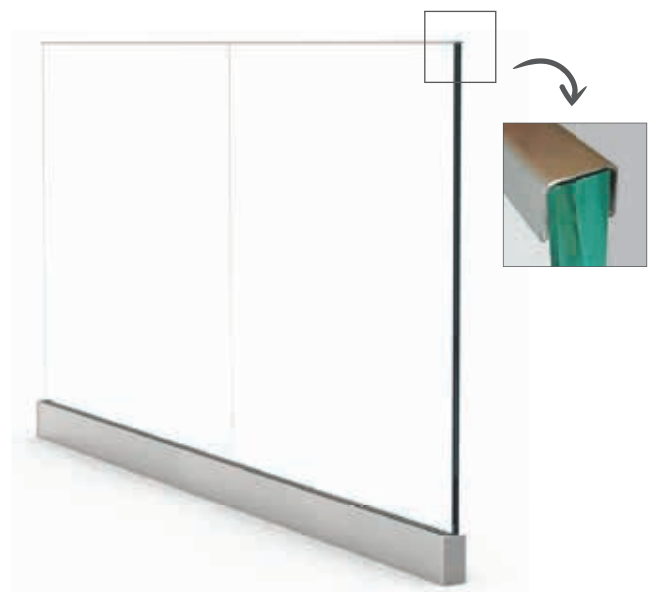
**STAINLESS STEEL,  
a contemporary style**

**Design and refined, stainless steel is recognized for its great durability.**

**ITS ADVANTAGES:**

- Solid.
- Resistant to temperature variations.
- Anti-corrosion.
- Very low maintenance (Sadev cleaning kit).

Ref. Page 12



# OSF PROFILE

## TECHNICAL DATA

<b>Length</b>	3 000 mm (009OSF-R70) 6 000 mm (009OSF-R80)
<b>Materials</b>	20 µm anodized aluminum
<b>Type of application</b>	Private / Public
<b>Type of mounting</b>	Floor, lateral, built-in-slab, acroterion mounting
<b>Glass thickness</b>	Laminated: 6.6 (12.4 > 13.9 mm) 8.8 (16.2 > 17.6 mm) 10.10 (21.2 > 21.6 mm)
<b>Number of wedges</b>	4 per meter
<b>Finishes</b>	Anodized aluminum RAL color chart - black
<b>Max. Height</b>	1 100 mm
<b>Profile attachment</b>	Every 300 mm



## CERTIFICATIONS



## DIFFERENT TYPE OF MOUNTING



Floor mounting



Built-in-slab mounting



Lateral mounting



## WEDGES

### Glasses: 6.6

Glass thickness: 12.4 > 13.9  
Ref.: 009OSF-K12-0606

### Glasses: 8.8

Glass thickness: 16.2 > 17.6  
Ref.: 009OSF-K12-0808

### Glasses: 10.10

Glass thickness: 21.2 > 21.6  
Ref.: 009OSF-K12-1010

## CLADDING GASKET

### SNAP-FIT



Ref.: 009JC0809A-N



Ref.: 009JC0309A-N



## HIGH CLADDING

Ref.: 009OSF-C310  
Length: 3 m

Ref.: 009OSF-C610  
Length: 6 m



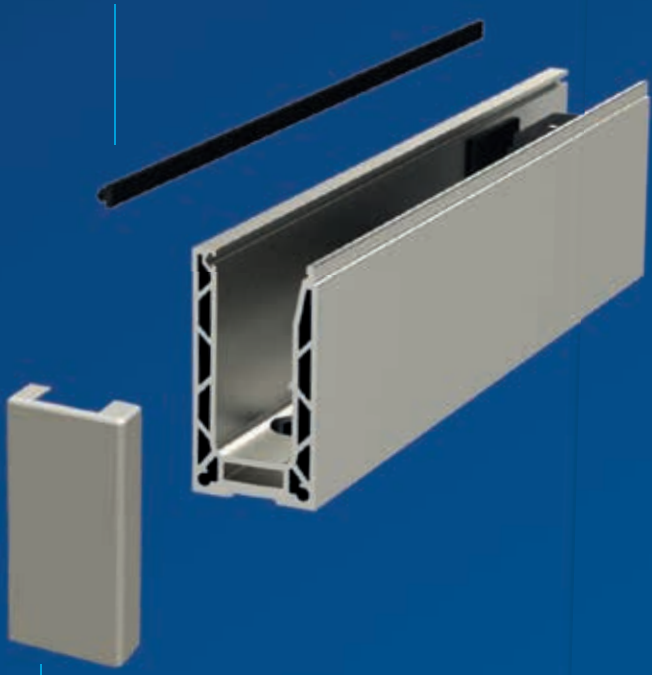
## CLADDING GASKET

### PRESS-IN

**Glasses: 10.10**  
Ref.: 009JOINT1010

**Glasses: 08.08**  
Ref.: 009JOINT0808

**Glasses: 06.06**  
Ref.: 009JOINT0606



## END CAP

Ref.: 009OSF-CE01



## CUSTOMIZE YOUR FINISHES



**ANODIZED ALUMINUM**  
Code: 01



**BLACK**  
Code: N

## ACCESSORIES



**CONCRETE SCREW HUS3 H 10X70**  
Ref.: 09HUS3-H10X70  
ZINC STEEL - Box of 50 pieces



**CONCRETE SCREW HUS HR 10X75**  
Ref.: 09HUS-HR10X75  
STAINLESS STEEL - Box of 25 pieces



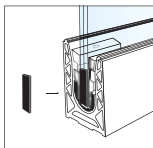
**MECHANICAL WALL PLUG HSL M8/20**  
Ref.: 09HSLM8/20  
STAINLESS STEEL - Box of 40 pieces

*Anchor for floor mounting depends on the class of concrete.*

## SPACERS



Ref.: 009OSF-ESPAC-0606 - Glasses: 6.6  
Ref.: 009OSF-ESPAC-0808 - Glasses: 8.8  
Ref.: 009OSF-ESPAC-1010 - Glasses: 10.10



*Help maintaining a regular space interval between the glass panels.  
++ For a better protection against dust and water, 5 mm width.*

## LEVELING SHIMS



Ref.: 009SHIM055-10-01

## SCREWDRIVER + TORX BIT



Ref.: 007-TORX-T20/150  
Torx bit 1/4 - T20 LG150



Ref.: OUT-TRVS-1.4NM  
screwdriver + torx bit  
Torx bit size: 1.4 Nm

*It allows tightening the glass in the wedges.*

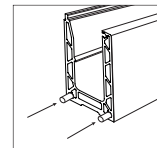


**Order minimum 1 for tightening conformity**

## ALIGNMENT PINS



Ref.: 007PIN-06-30



*The pins allow assembling the rails together.  
++ Save time, alignment.*

## CLOSING GAP FIXING HOLE



Ref.: 007BOU-D30-G



ASK FOR OUR  
complete handrail brochure.

# HANDRAILS



## U PROFILE WOOD

**Dimensions: 14.5x5x5**

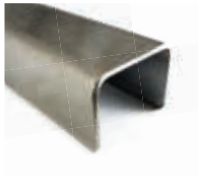
Ref.: 0010202410240W20 (raw beech)  
0010202410240W10 (raw oak)

**Dimensions: 18.5x5x5**

Ref.: 010202810240W20 (raw beech)  
0010202810240W10 (raw oak)

**Dimensions: 22.5x5x5**

Ref.: 0010203210240W20 (raw beech)  
0010203210240W10 (raw oak)



## U PROFILE STAINLESS STEEL 316

**Dimensions: 14x10**  
**Glass thickness: 13.5**

Ref.: 0010201410300A4 (3 m)

**Dimensions: 22x10**  
**Glass thickness: 19/21.5**

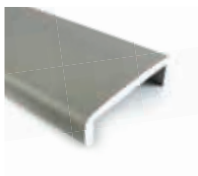
Ref.: 0010202210300A4 (3 m)

**Dimensions: 18x10**  
**Glass thickness: 17.5**

Ref.: 0010201810300A4 (3 m)

**Dimensions: 26x10**  
**Glass thickness: 25.5**

Ref.: 0010202610300A4 (3 m)



## U PROFILE ALUMINUM

**Dimensions: 13x8**  
**Glass thickness: 12.76**

Ref.: 0010201308250 (2,5 m)  
0010201308500 (5 m)

**Dimensions: 17x8**  
**Glass thickness: 16.76**

Ref.: 0010201708250 (2,5 m)  
0010201708500 (5 m)

**Dimensions: 23x8**  
**Glass thickness: 21.5**

Ref.: 0010202308250 (2,5 m)  
0010202308500 (5 m)

**Dimensions: 14x8**  
**Glass thickness: 13.5**

Ref.: 0010201408250 (2,5 m)  
0010201408500 (5 m)

**Dimensions: 19x8**  
**Glass thickness: 17.5**

Ref.: 0010201908250 (2,5 m)  
0010201908500 (5 m)

**Dimensions: 27x8**  
**Glass thickness: 25.5**

Ref.: 0010202708250 (2,5 m)  
0010202708500 (5 m)



## GLASS CLAMP HANDRAIL STAINLESS STEEL

**Glass thickness: 12 > 17.5**

Ref.: 00101030-1218

**Glass thickness: 18 > 25.5**

Ref.: 00101030-1926



## CONNECTOR STAINLESS STEEL

**Dimensions: 50 x 60**

**Glass thickness: 11.9 > 13.9**

Ref.: 009REL5060-12-9/16

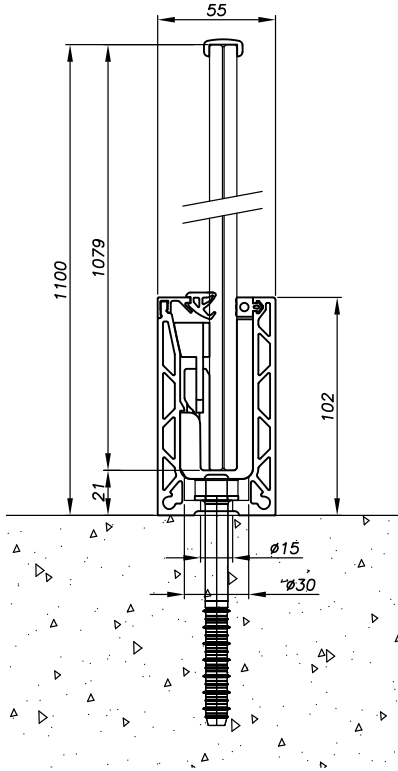
**Glass thickness: 16.2 > 17.6**

Ref.: 009REL5060-17.5

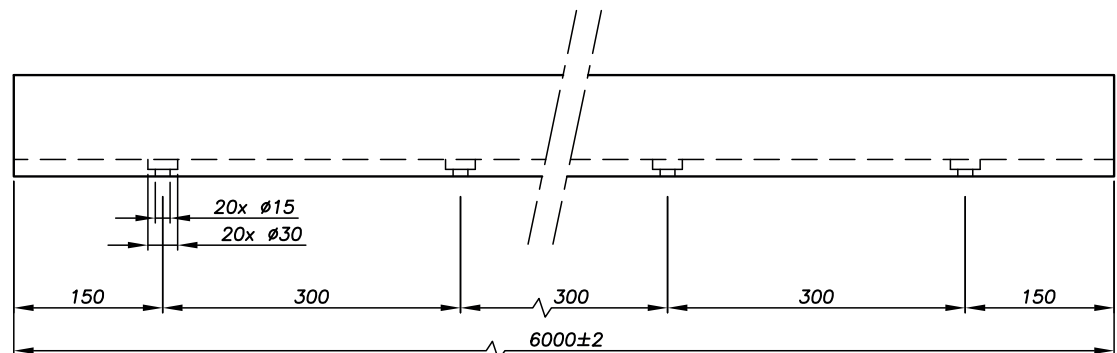
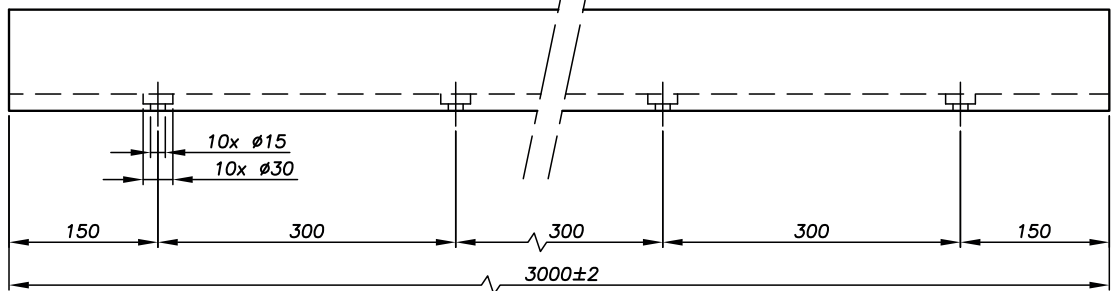
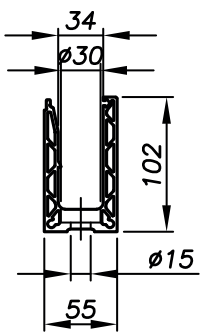
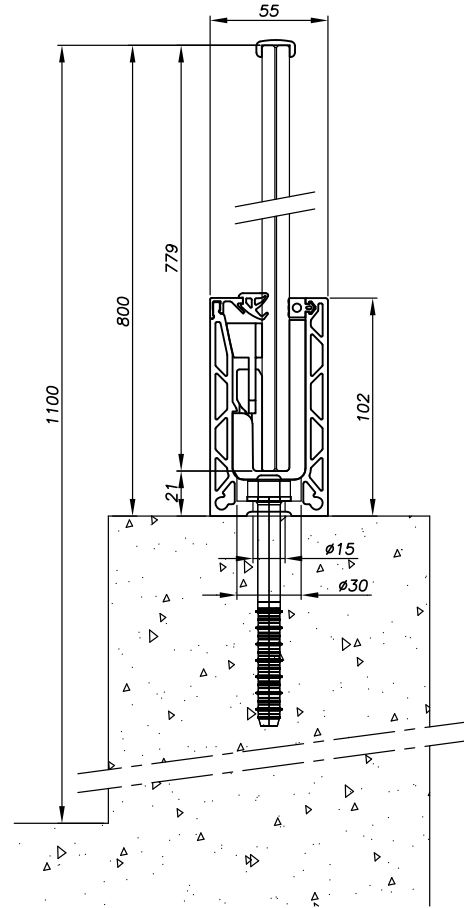
**Glass thickness: 20.2 > 21.6**

Ref.: 009REL5060-21.5

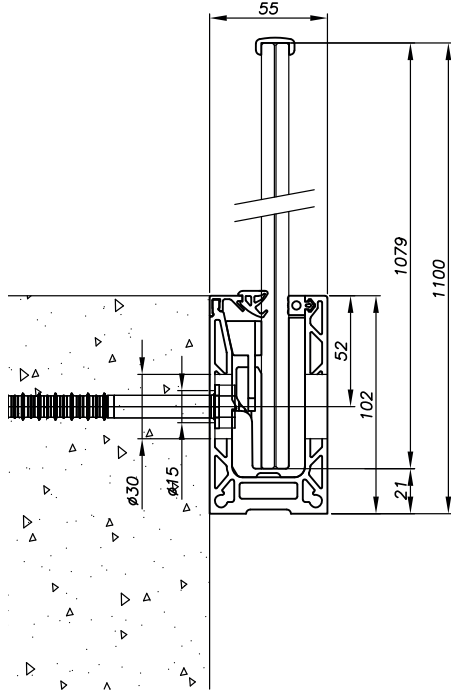
**FLOOR MOUNTING**



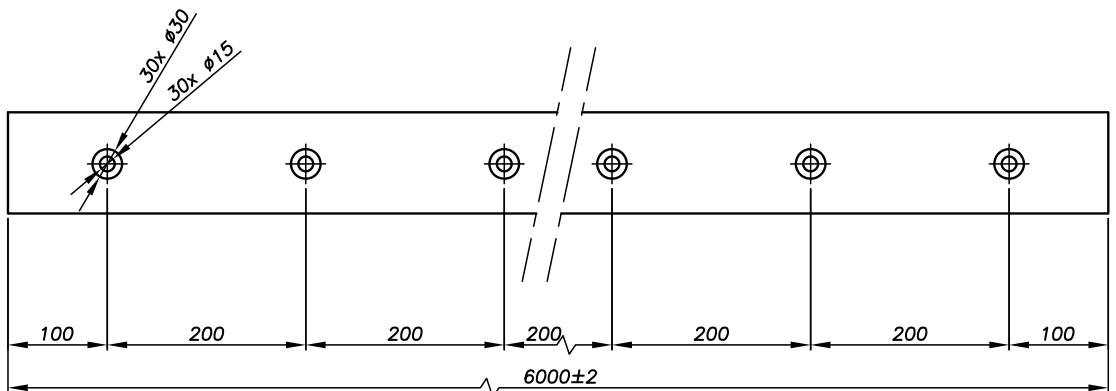
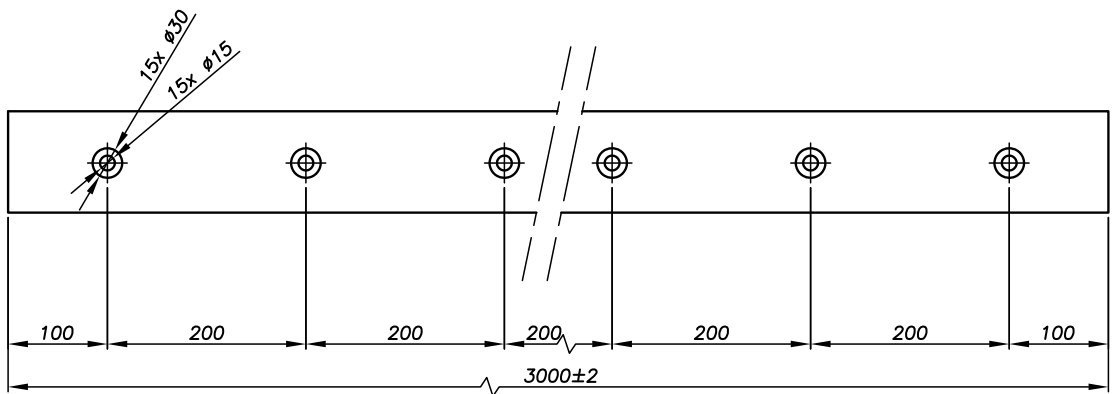
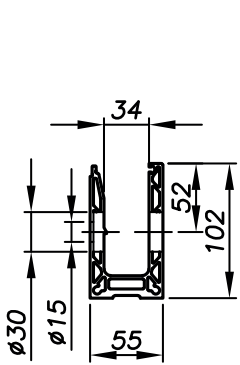
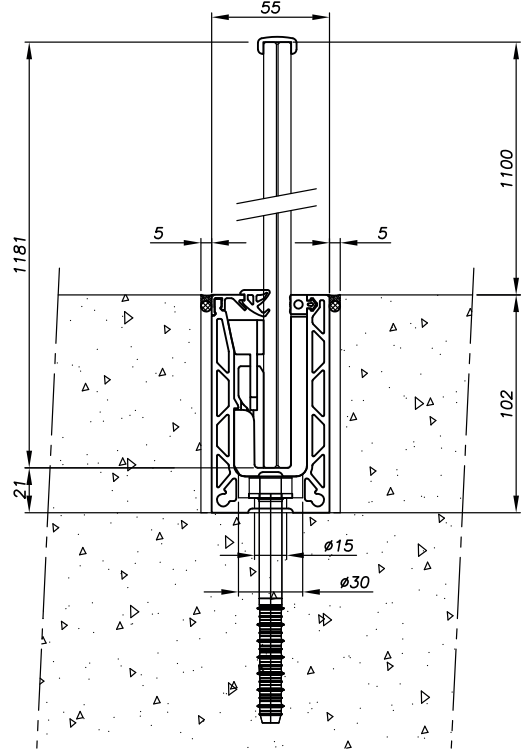
**ACROTERION MOUNTING**



LATERAL MOUNTING



BUILT-IN-SLAB MOUNTING





CLASSIC® SABCO® OSF® DECOR® SWIMSIDE®

MEMBER OF  SIMONSWERK

Tel. +33(0) 4 50 08 39 00 | Fax. +33(0) 4 50 08 39 49  
76, chemin des poses - 74330 Poisy (France)

[sadev.com](http://sadev.com)

follow us on

