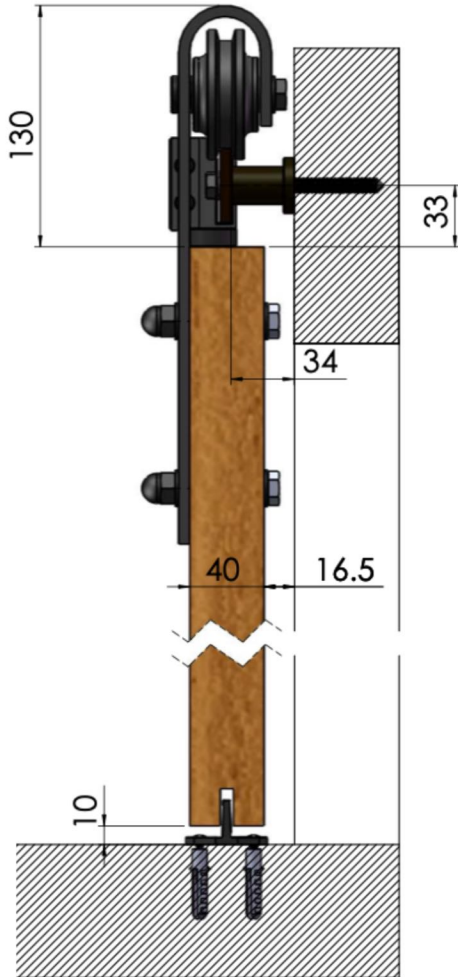


# Barrierslide Strap

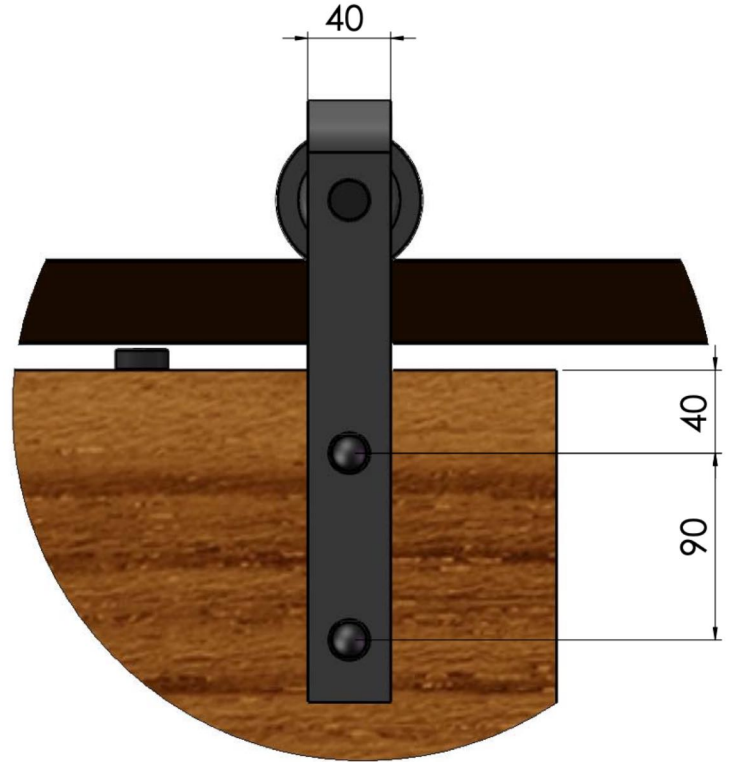


Barrierslide Strap is a high quality traditional Barn Door style internal sliding door system finished in either a black powdercoat or made from 304 satin stainless steel. This kit is supplied as standard with both Softopen and Softclose pre mounted onto the track. These will work with a door up to 80kg. Should the door be between 80kg-150kg then remove the softclose units. A 3000mm track length is now available alongside the 2000mm variant. Wall brackets allowing bi-passing layouts and jointing brackets for bi-parting options are also available.

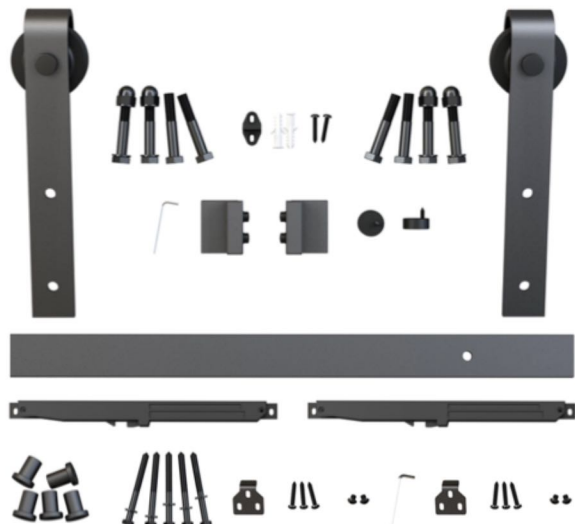
## End Elevation



## Hanger Details



## Kit Components



## Installation Example & Stainless Example



ORDER NOW ON: 01708 891 515 FAX: 01708 891 516 EMAIL: [sales@barrier-components.co.uk](mailto:sales@barrier-components.co.uk)

Max Weight (kg)	Max Panel Width (mm)	Max Panel Height (mm)	Panel Thickness (mm)	Hardware Orientation
150	1500	2400	35 min	Top Hung Sliding