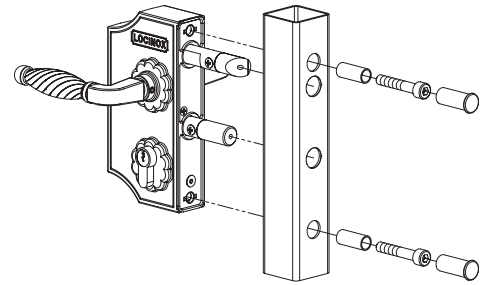


# LOCINOX®

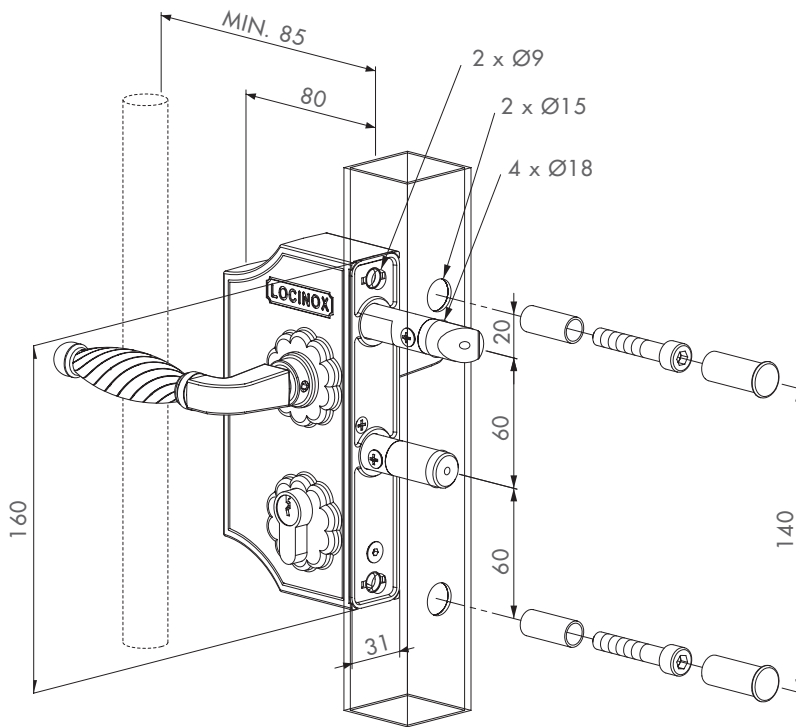
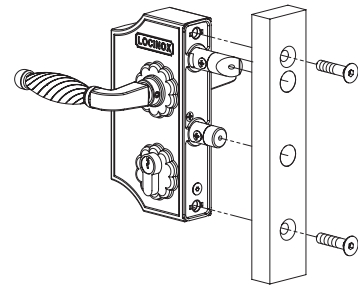
WWW.LOCINOX.COM

**CODE: LAKY-F2**

Tube mount application

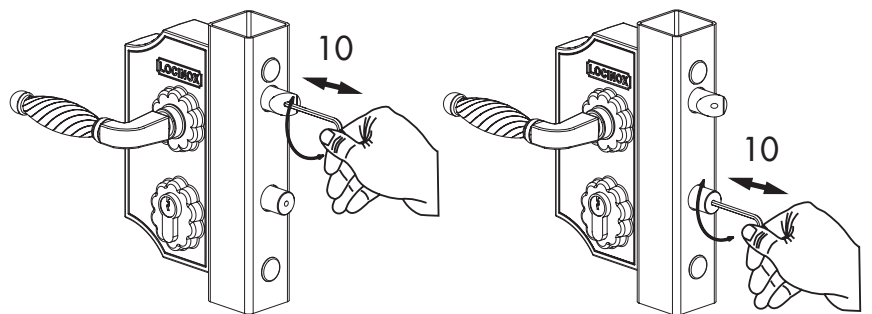
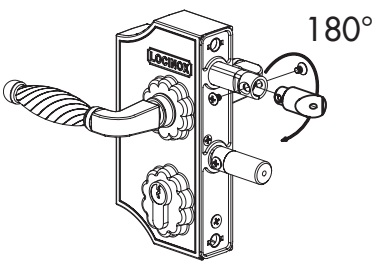


Flat mount application



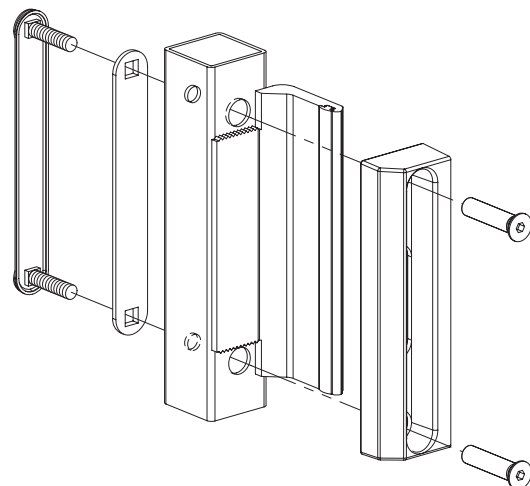
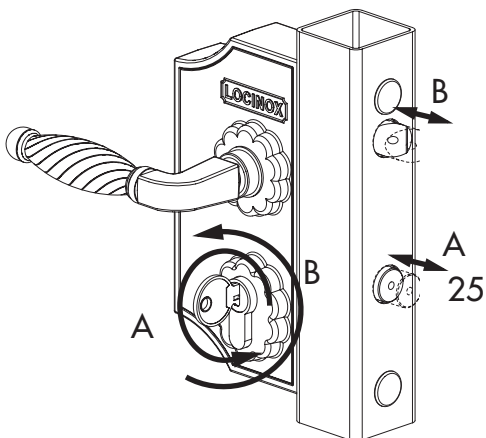
Left / Right

Throw adjustment 10



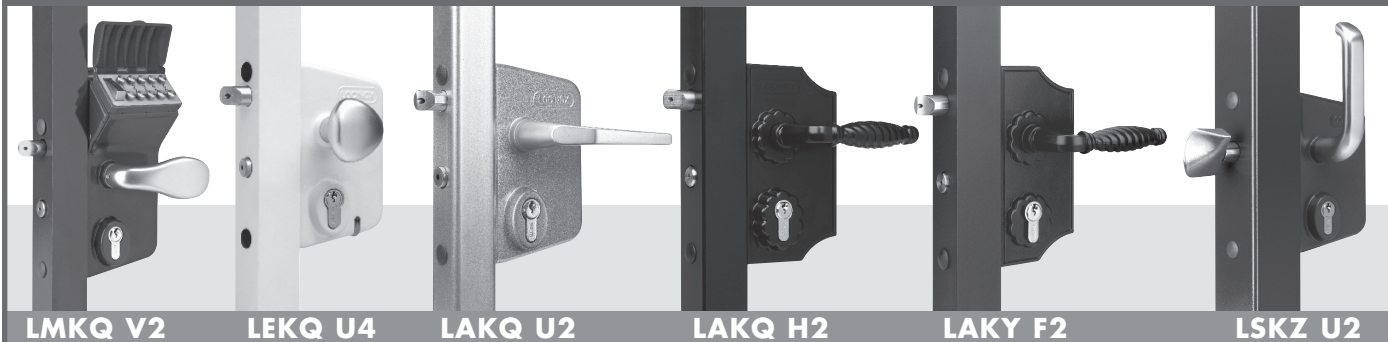
Key operated (B) & Throw (A)

Keeper installation drawing

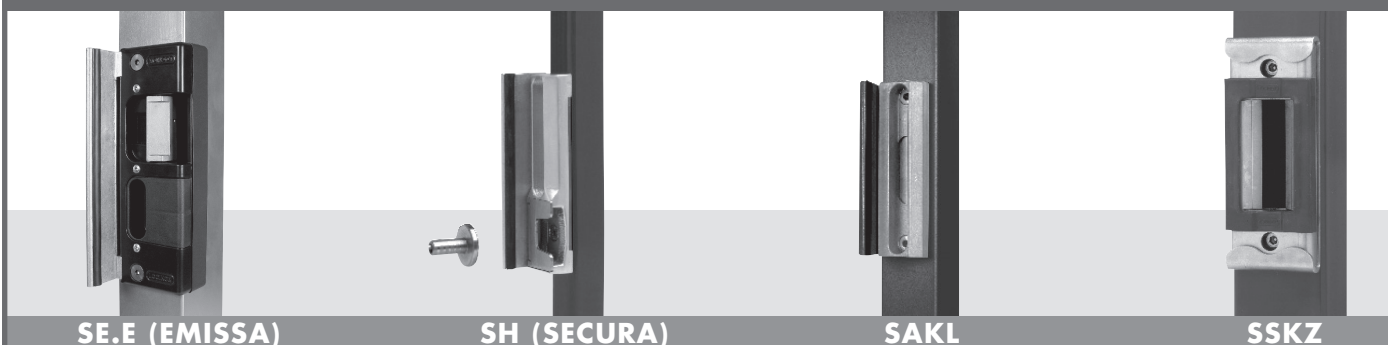


# LOCINOX

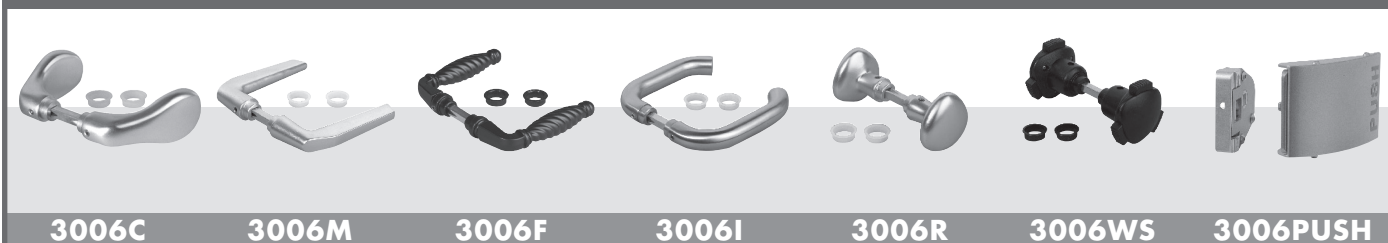
## LOCKS - CERRADURAS - SERRURES



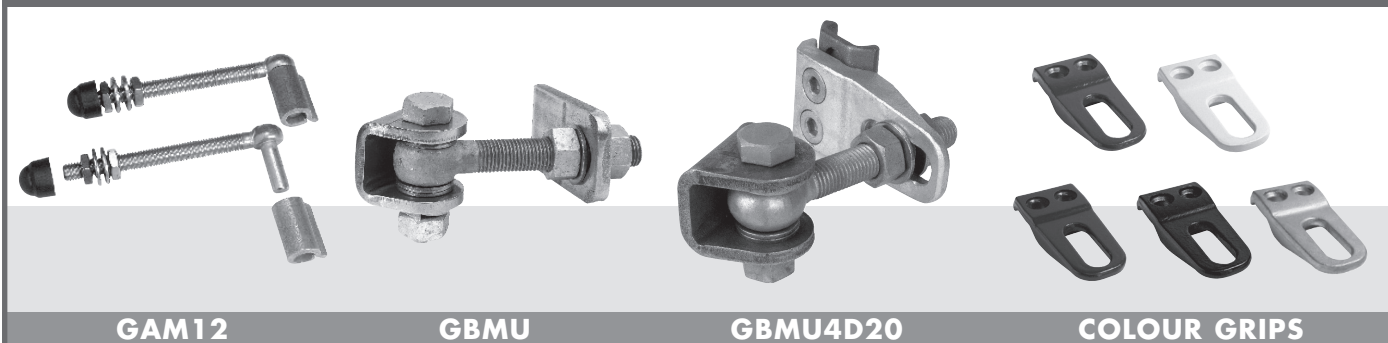
## KEEPERS - CERRADEROS - GÂCHES



## HANDLES - MANILLAS - POIGNÉES



## HINGES - BISAGRAS - CHARNIÈRES



**LOCINOX**<sup>®</sup>  
WWW.LOCINOX.COM

**Doc. Nr.: MANU-000052**

Locinox nv • Mannebeekstraat 21 • B-8790 Waregem • Belgium - Europe  
Tel. +32 (0)56 77 27 66 • Fax. +32 (0)56 77 69 26 • E-mail: locinox@locinox.com

