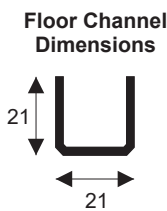
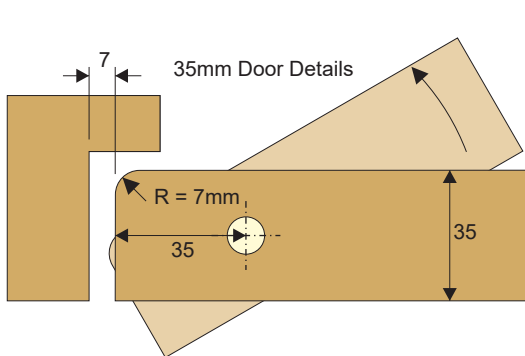
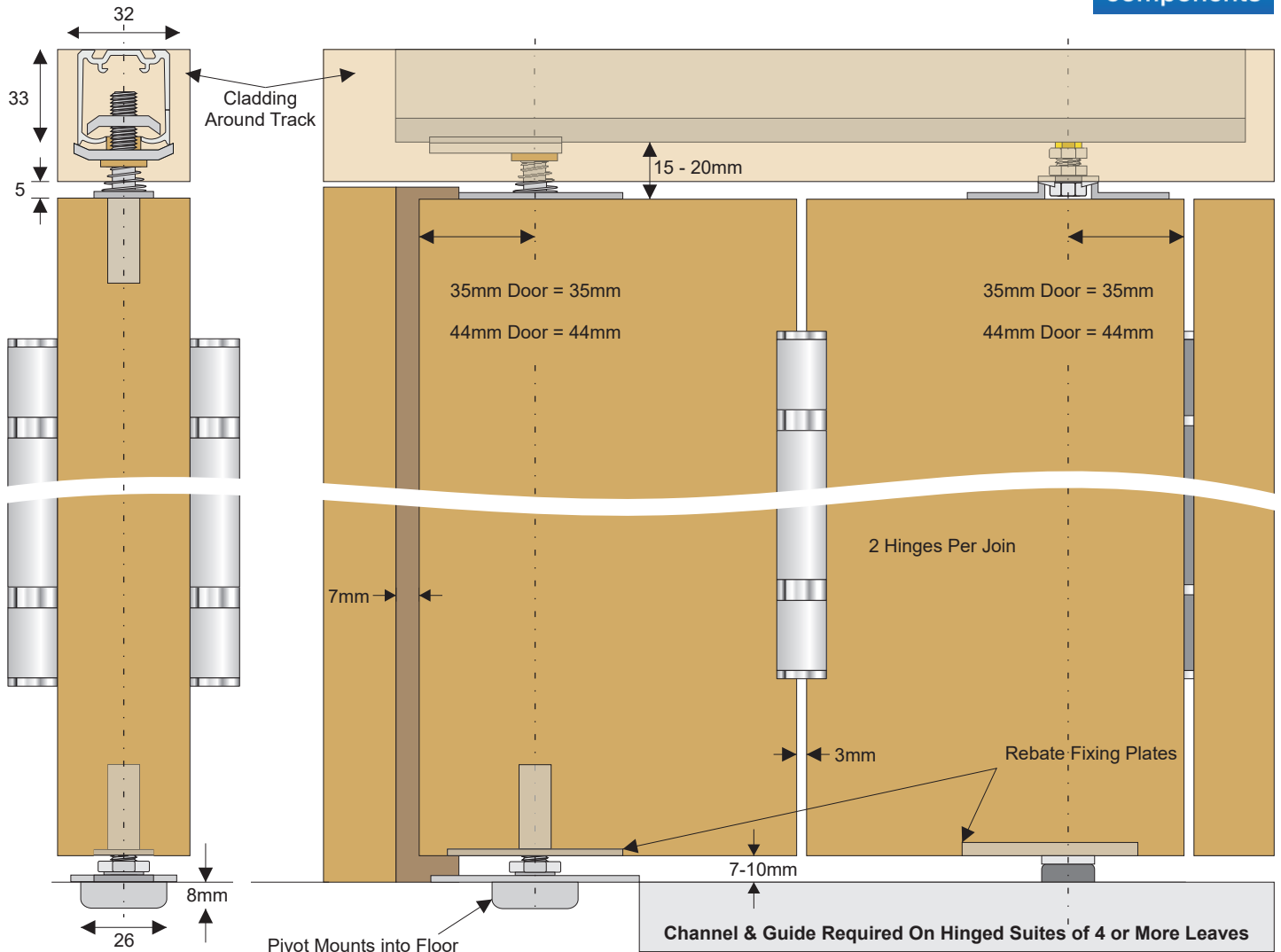


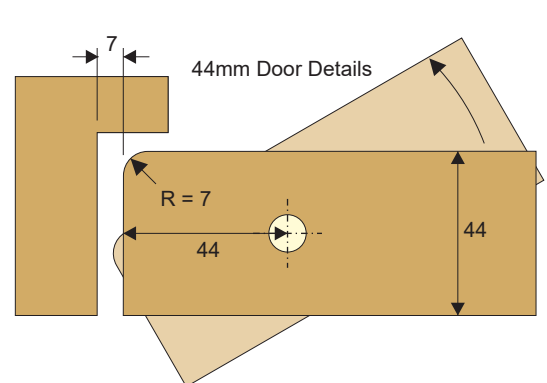
Endfold 30 Technical Details



Max door weight 30kg. Max door width 800mm.
Max door height 2100mm. Door Thickness 35-44mm.



Radius on corner of 1st leaf to aid clearance during folding



Kit Layouts

Kits can be combined - for example 2 No. 3D kits. Track & Channel sold separately. in 1.5m, or 3.0m lengths.

