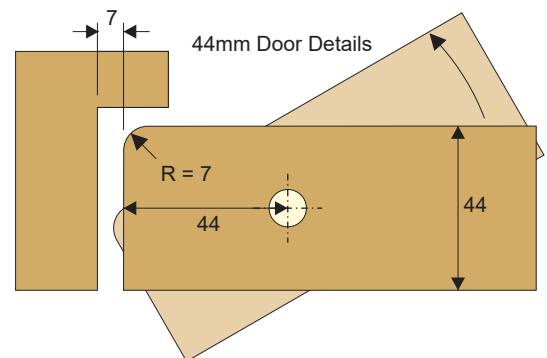
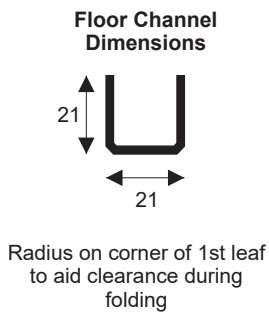
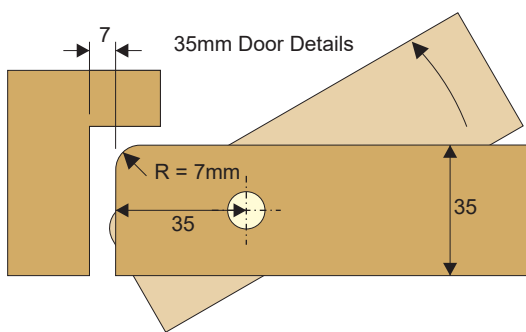
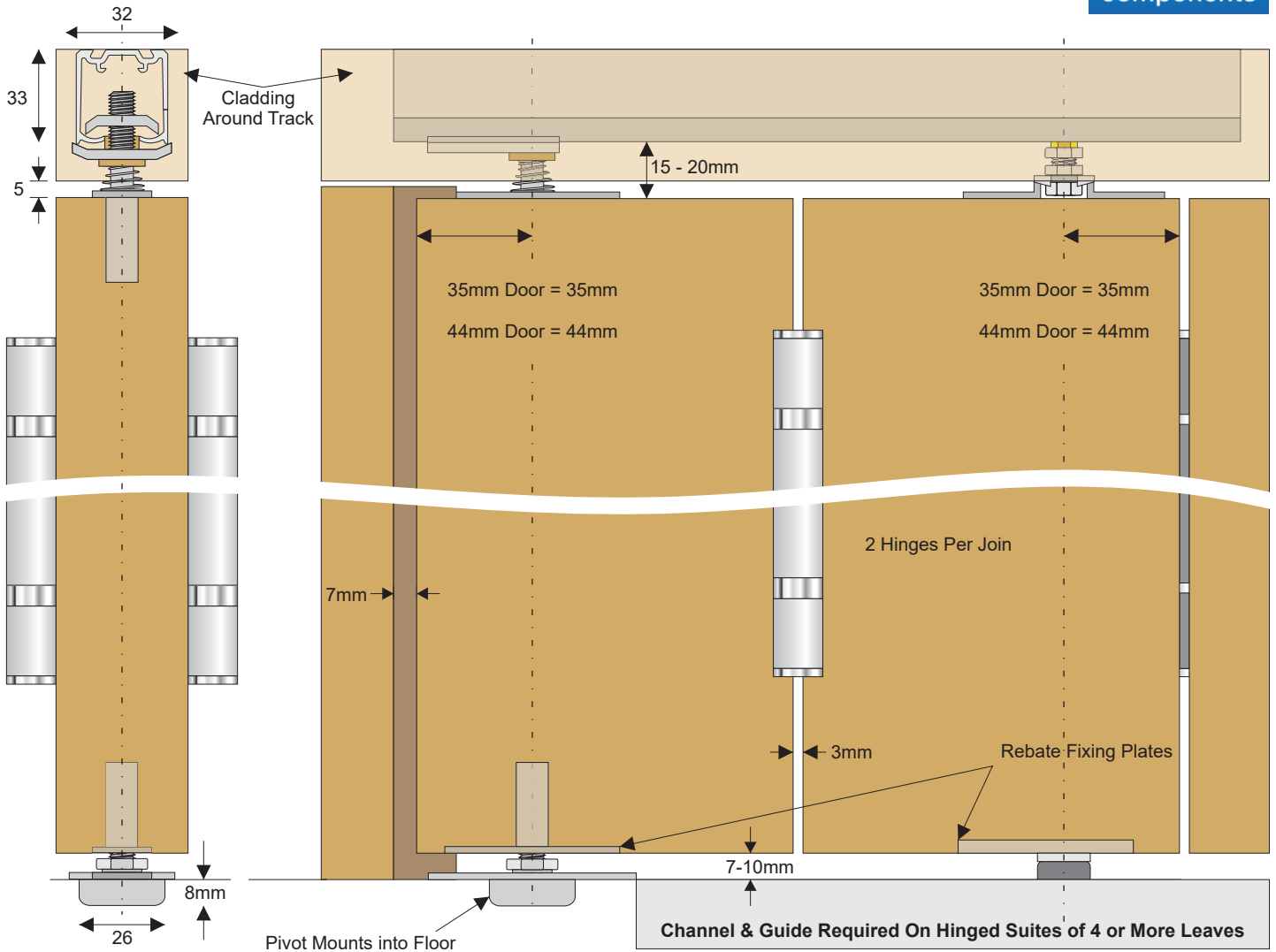


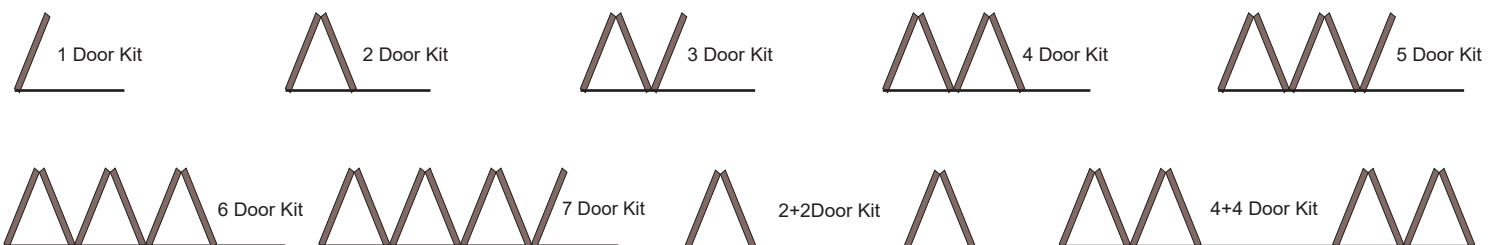
# Endfold 30 Technical Details

Max door weight 30kg. Max door width 800mm.  
 Max door height 2100mm. Door Thickness 35-44mm.

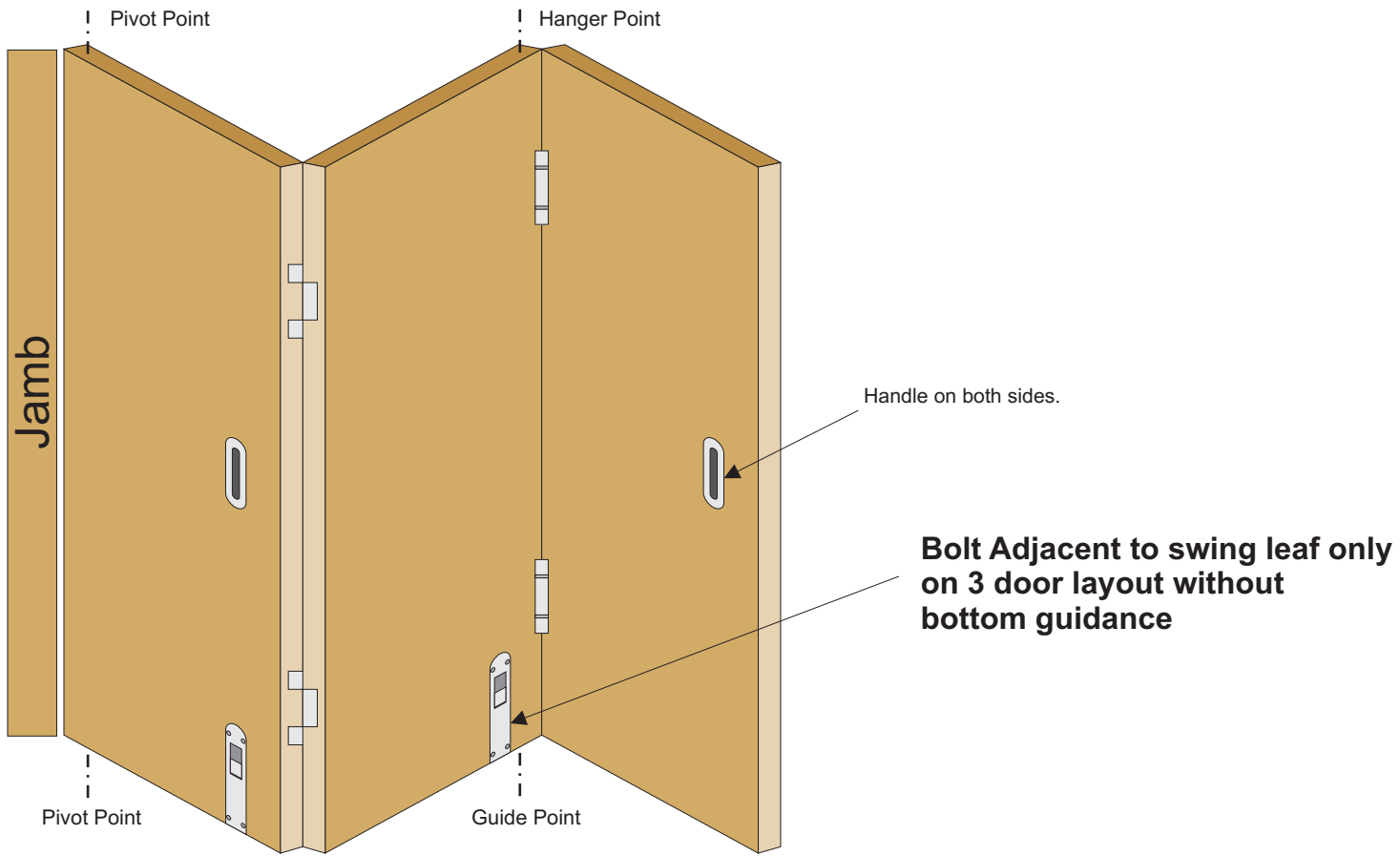


## Kit Layouts

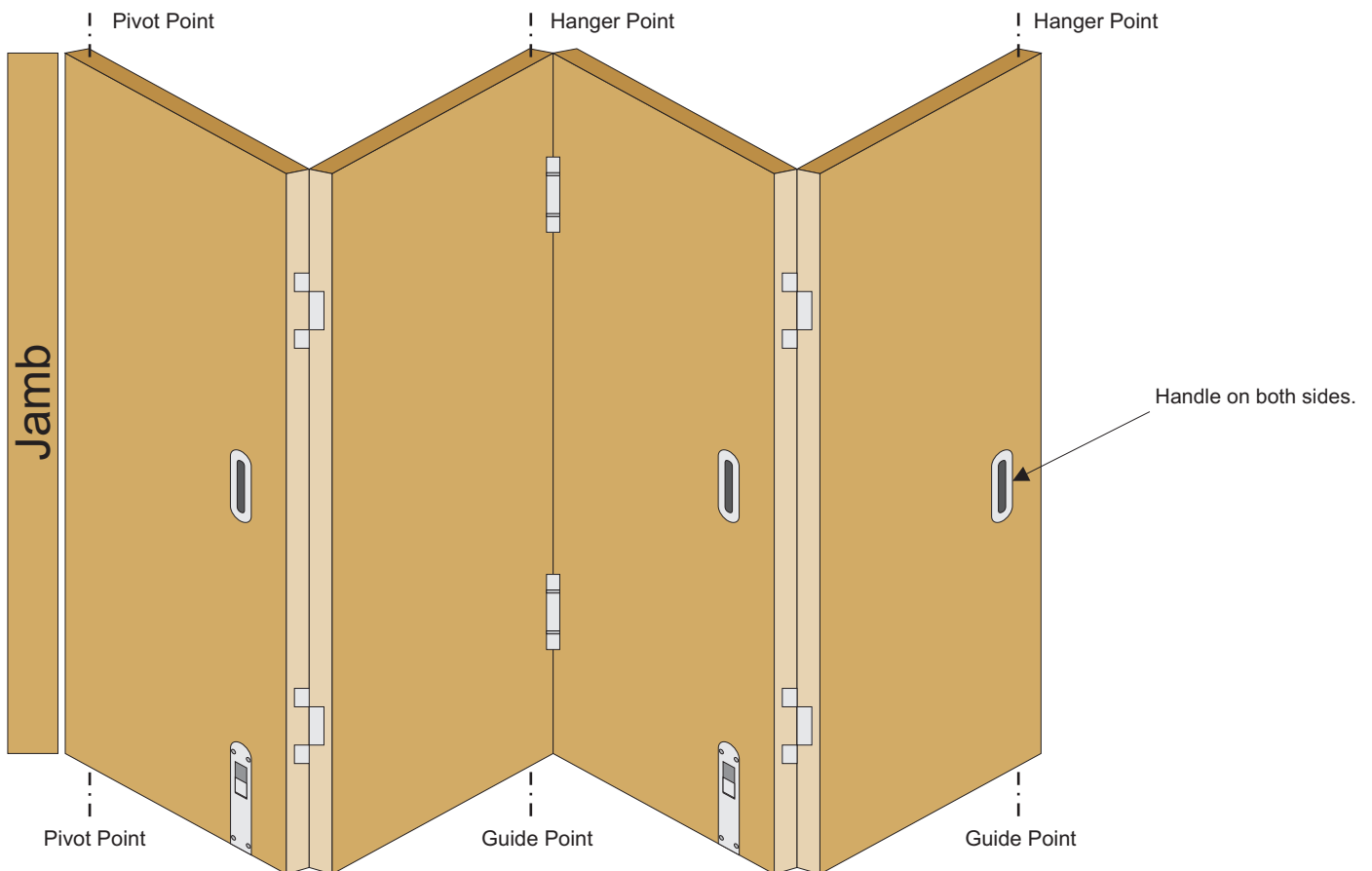
Kits can be combined - for example 2 No. 3D kits. Track & Channel sold separately. in 1.5m, or 3.0m lengths.



# Endfold 30 Hardware Layout



## Odd Leaf Hardware Layout



## Even Leaf Hardware Layout