



BarrierSabco

Profiles for glass balustrades

www.barrier-components.co.uk

01708 891 515



BarrierSabco

BarrierSabco is a new balustrade system offering the sophistication of frameless glass that can be specified for both Commercial and Residential projects. The result gives a hi-tech, sleek and minimal finish and offers a cost effective solution providing a system that is designed to be simple to install.

BarrierSabco is tested with fixings at 400mm centres making installation quick and cost effective.

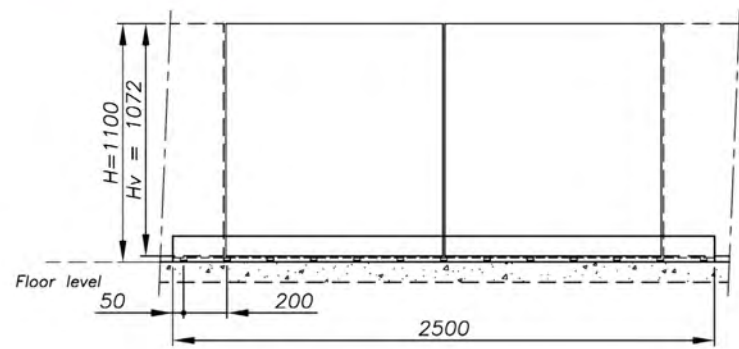
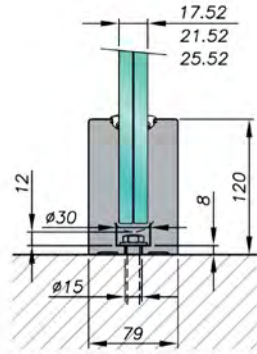
BarrierSabco uses self levelling clamps (designed to accommodate LED lighting) which are tightened with Torx screws using an electric screwdriver, again speeding up the installation process. The system includes face cover plates anodised to marine grade 20 microns, finished in natural aluminium or satin stainless steel and are attached using 3M tape which provide a high quality and effective finish.

BarrierSabco installation Instructions and a video demonstration are available to view at www.barrier-components.co.uk. The e-commerce site also allows you to purchase BarrierSabco online or you can call our experts should you require assistance to specify your exact needs.

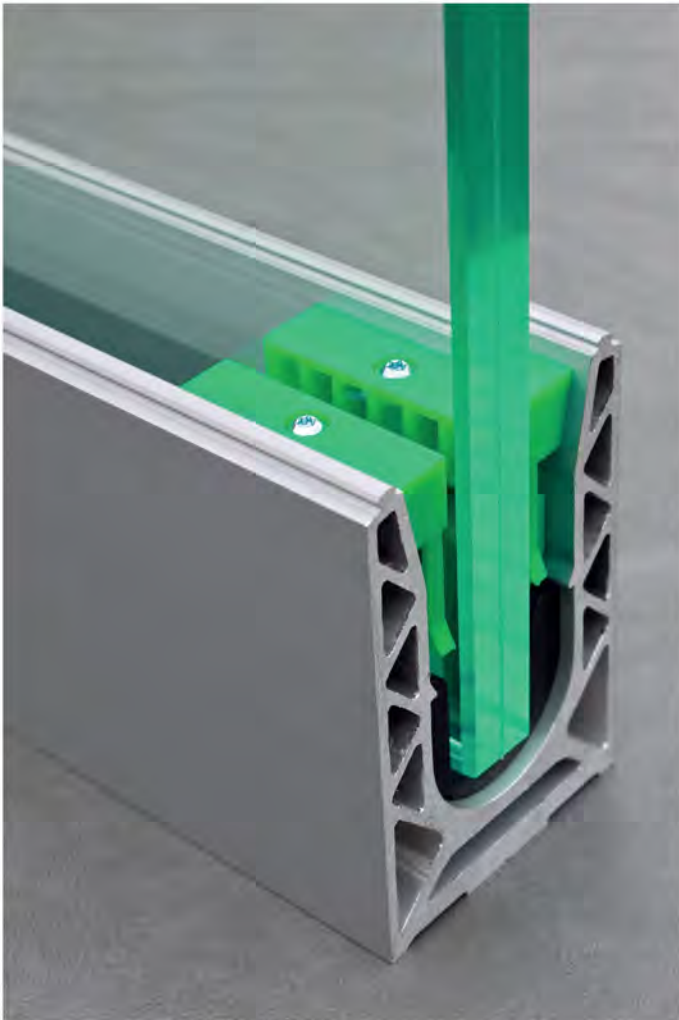
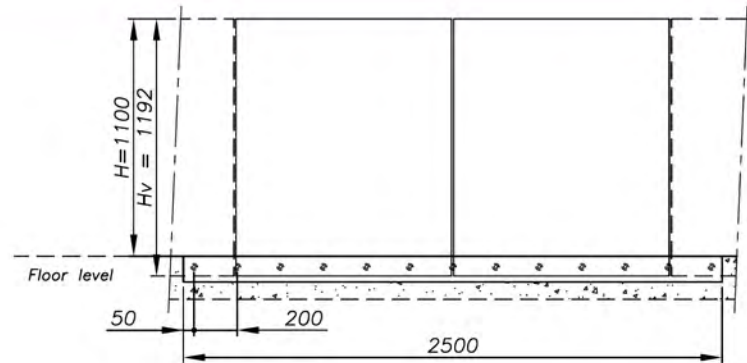
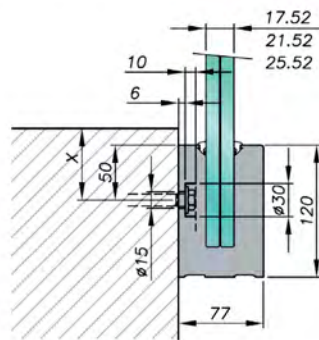
BarrierSabco has passed independent British Standards BS EN 6180:2011 testing up to 1.5kN on most glass thicknesses for both base fix and side fix variants.



Base Mount Fixing System

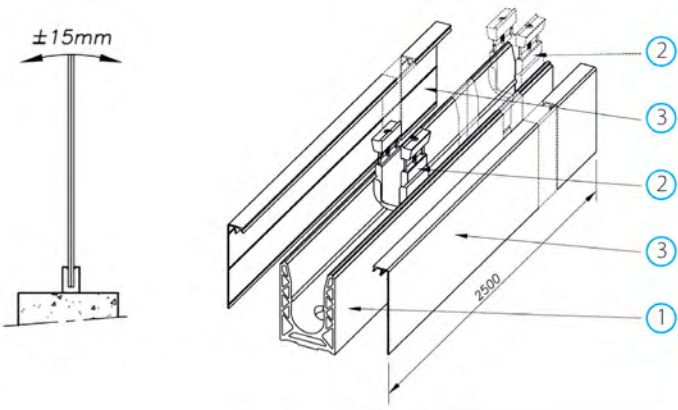


Side Mount Fixing System



Unique Installation

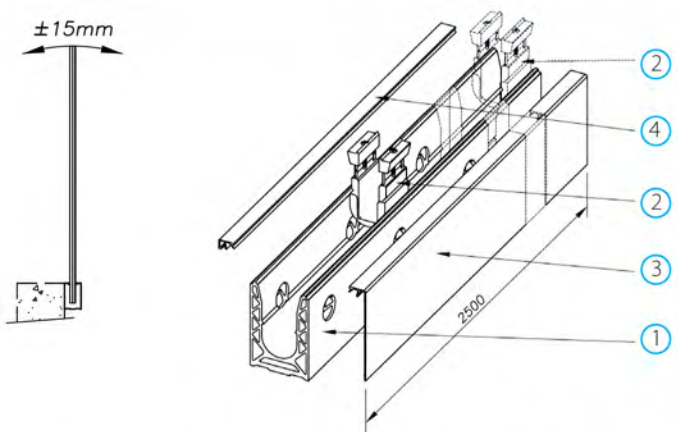
- The system only requires 400mm fixing centres to achieve the 1.5kN rating therefore saving valuable time on site.
- Easy alignment of the glass during installation with up to +/-15mm adjustment available either side at 1100mm high.
- Once the first panel is correctly installed the adjoining panels can then be easily aligned.
- Tightening is completed via torx screws and can be done with an electric screwdriver - again speeding up the install time.
- 12mm x 3mm LED Strip Housing incorporated into clamp base. LED Strip by others.
- The kit includes removable covers to allow the placement of the channel without risk of damaging the finish.
- Base and face mount with same channel.
- Covers can simply be fitted at the end of the install with 3M tape (already mounted to covers).



Included in the base mount kit

Item	Qty	Length
1: Base Channel	1	2500mm
2: Glass Clamp	10	n/a
3: Cover Plates	2	2500mm

Rubber Seal supplied on roll as per overall order length requirements.



Included in the side mount kit

Item	Qty	Length
1: Base Channel	1	2500mm
2: Glass Clamp	10	n/a
3: Cover Plate Full	1	2500mm
4: Cover Plate Top	1	2500mm

Rubber Seal supplied on roll as per overall order length requirements.

Ready for use with LED Strip Lighting*

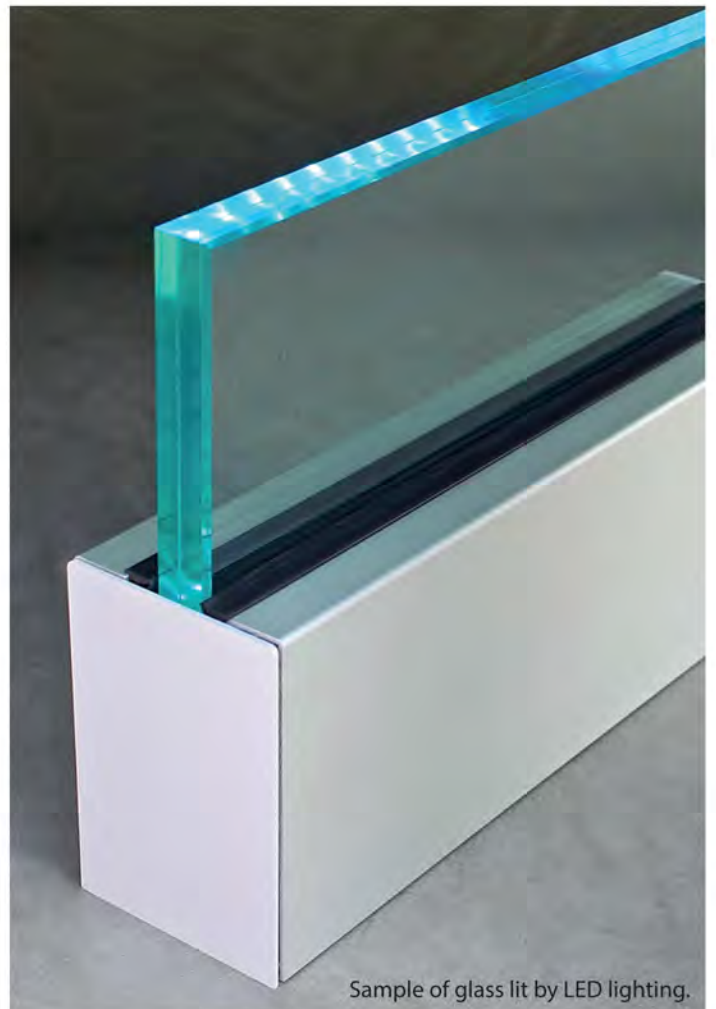
By incorporating a 12mm x 3mm housing into the bottom of the clamps you can now bring your balustrade design to life by adding LED strip lighting into the system with ease.

Simply space the clamps and then prior to adding the glass you install the LED strip. Once glass is installed the LED's will be perfectly centred below. This helps the light travel up through the glass.

Please note some glass types are better suited for lighting - please discuss with your glass supplier.



Clamp with LED strip installed, *LED strip by others.



Sample of glass lit by LED lighting.

Test Data

Glass sizes and types are shown with the maximum achieved kN/m rating in accordance with BS EN 6180:2011 which requires any instantaneous deflection to be no more than 25mm.

Glass panels can be a maximum of 2500mm wide x 1100mm high. The 20.9 Laminated (SGP) glass can theoretically keep within BS EN 6180:201 requirements at a height upto 1600mm but this has not been officially tested.

Further details are available upon request.

	Base Mount		Side Mount	
	0.74 kN/m	1.5 kN/m	0.74 kN/m	1.5 kN/m
15mm Monolithic	✓		✓	
16.9mm Laminated (SGP)	✓		✓	
19mm Monolithic		✓	✓	
20.76mm Laminated (DG41)		✓		✓
20.9mm Laminated (SGP)		✓		✓
21.52mm Laminated (PVB)	✓		✓	
21.52mm Laminated (EVA)		✓	✓	



System Kits & Components

Sabco Kits & Components



Base Mount Channel Kit 2500mm
Kit includes 2500mm rail, 10 clamps, 20 wedges, 20 torx screws, 2 x 2500mm coverplates and 5000mm flexible seal.



Side Mount Channel Kit 2500mm
Kit includes 2500mm rail, 10 clamps, 20 wedges, 20 torx screws, 2 x 2500mm coverplates and 5000mm flexible seal.



Connecting Pins - 2 required per joint



End Caps



Glass Panel Spacers - 5mm



Torx Screw Driver Bit

Optional Handrail Components



42.4mm Handrail 316 Stainless



Handrail Gasket



Handrail Straight Connector



Handrail End Cap



Handrail 90° Connector



Handrail Adjustable Upward Connector



Handrail Adjustable Downward Connector



Wall Fix Flange 42.4mm

Barrier Components Ltd, established in 1987, is now one of the leading UK stockists of quality architectural hardware, supplying products to both commercial and residential markets. We provide a one-stop shop for weather seals, brush strips, glass hardware, sliding door hardware, gate hardware, shower hardware, swing doors and much more. Check out our website to download our other product brochures.



Barrier Components Ltd
Unit 8 Dolphin Way Dolphin Point Purfleet
Essex RM19 1NR
t: 01708 891 515 f: 01708 891 516
sales@barrier-components.co.uk
www.barrier-components.co.uk



Sabco by **SADEV**