



Hillaldam

SLIDING DOOR SYSTEMS

Quality in motion™ since 1958



VistaLine™

Installation Instructions



Since 1958

NEW IMPROVED VistaLine™ WALL PROFILE
Frameless fixed panel clamp rail for 8 - 15mm glass

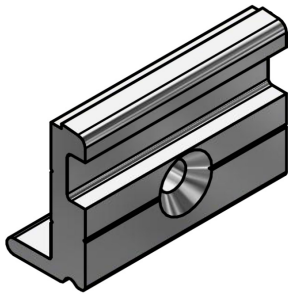
//////////////////// WWW.HILLALDAM.COM

COMPONENTS

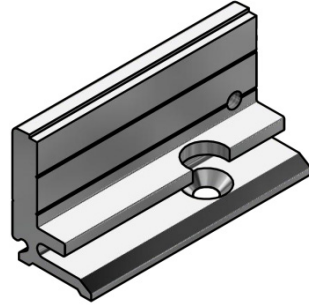
Frameless fixed panel clamp rail for 8 - 15mm glass.

TOOLBOX REQUIREMENTS

- SIZE 4 ALLEN KEY
- MANPOWER
- FLOOR FIXINGS AND PLUGS
6.4 X 38 WITH PLUGS



50mm Inner Clamp
(Pre-Drilled)

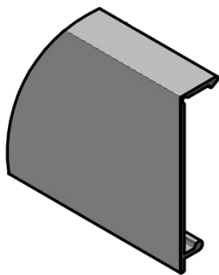


Outer Clamp Rail
(Pre-Drilled)



100mm Available

40mm
End Cap

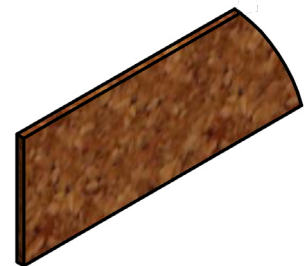


100mm Cover Plate Available

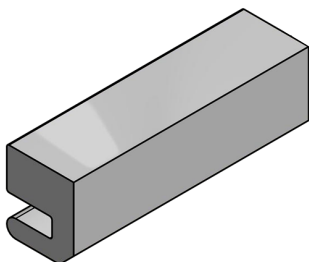
40mm
Cover Plate



1.5mm x 50mm
Cork for Inner Clamp



1.5mm x 3000mm
Cork for Outer Clamp



C-Clip
Spacer



15mm Glass

M6x25 Allen Head
Screw 15mm Glass



10/12mm Glass

M6x30 CSK
Allen Head Screw

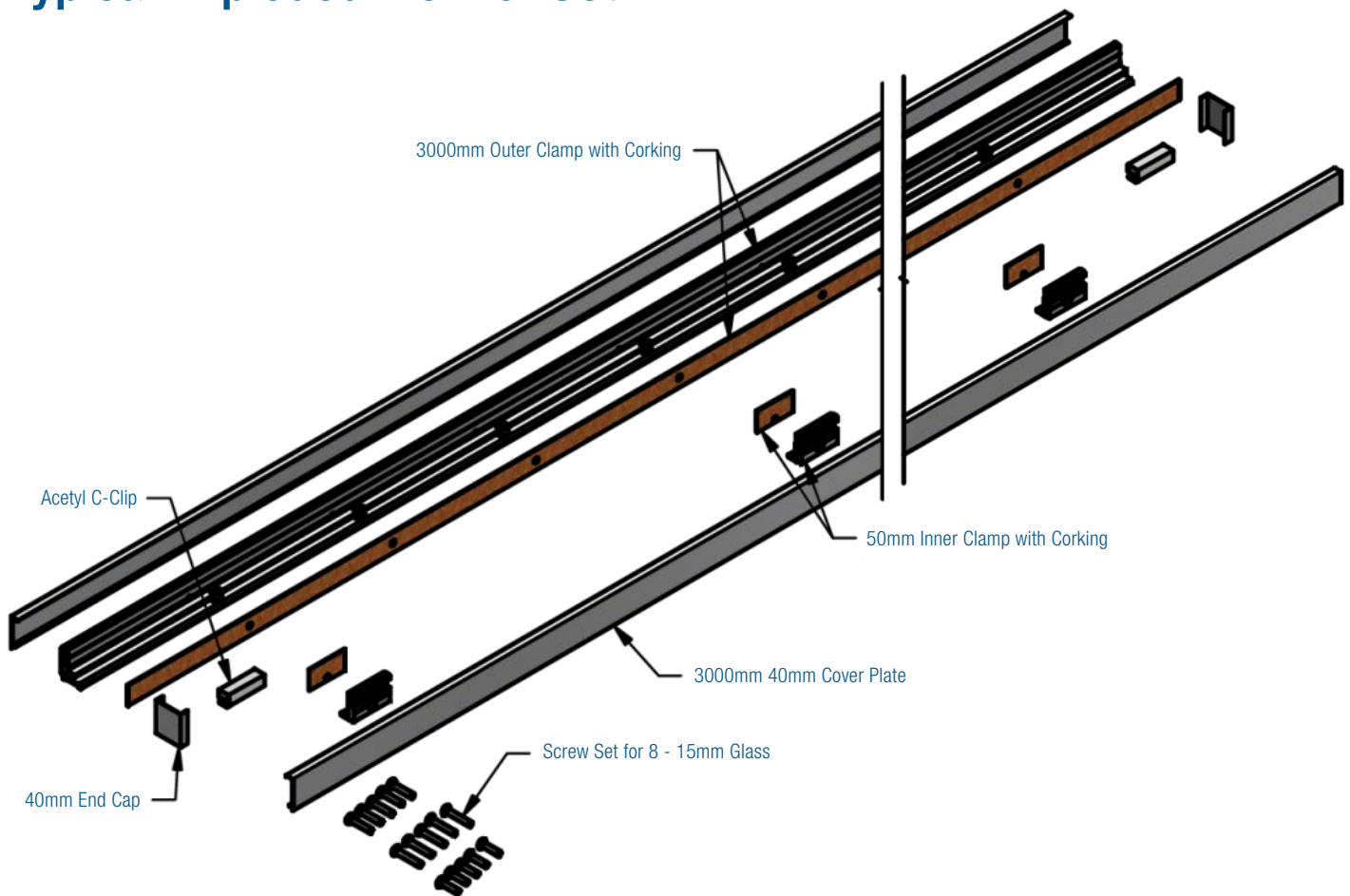


8mm Glass

M6x35 CSK Allen
Head Screw

VISTALINE™ CLAMP RAIL

Typical Exploded View of Set



FEATURES & BENEFITS

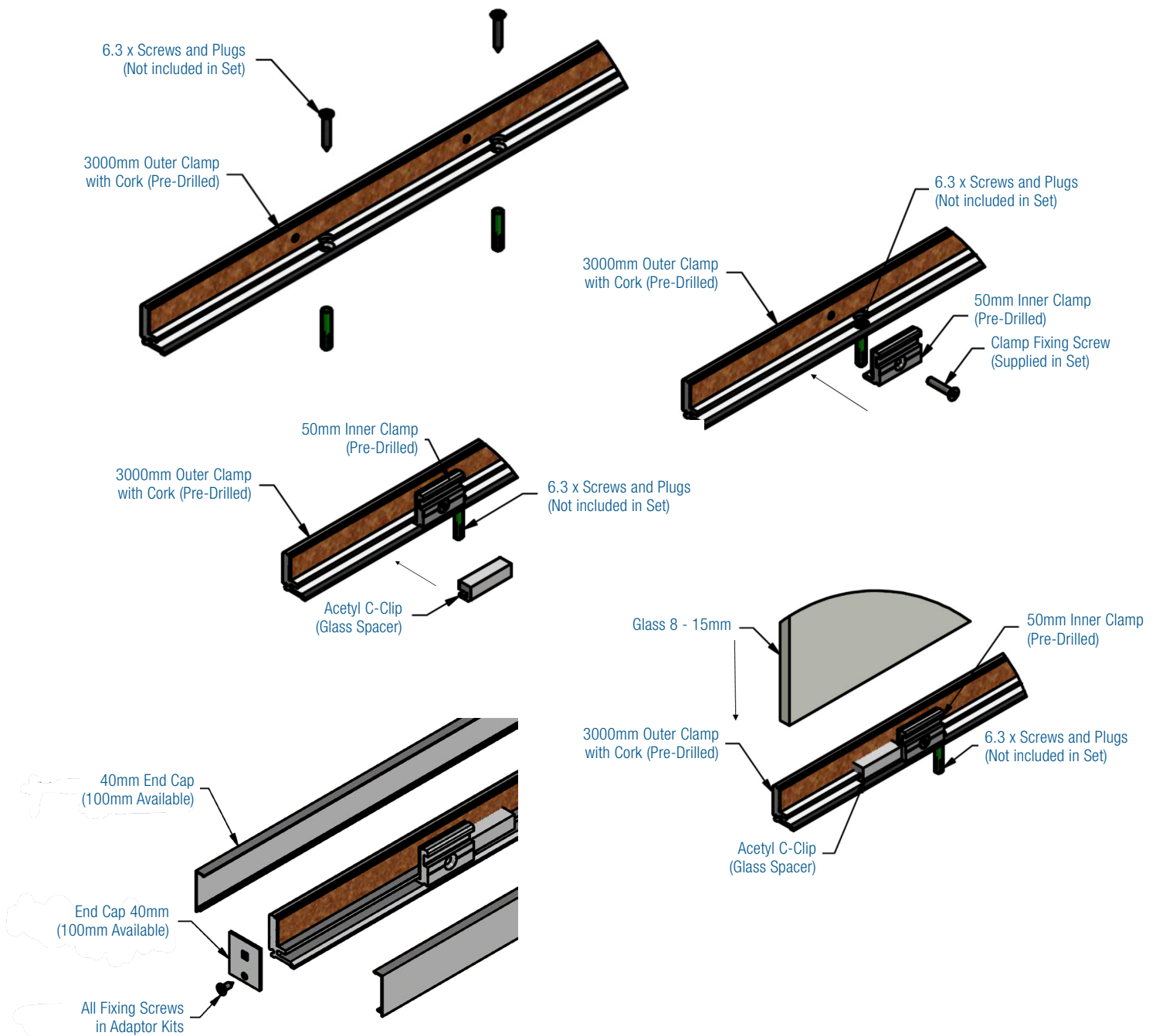
- The clamp rail comes with all the above components.
- Pre-drilled clamp base that can accommodate panels from 360mm to 2000mm,
 - 360mm panel must have at least 2 inner clamps for support.
 - 2000mm panels must use all 5 inner clamps for support.
- System developed around the following glass sizes, these can be varied according to application
 - 360mm minimum 2 clamps
 - 500mm minimum 2 clamps
 - 700mm minimum 2 clamps
 - 900mm minimum 3 clamps
 - 1100mm minimum 3 clamps
 - 1500mm minimum 4 clamps
 - 2000mm minimum 5 clamps
- Profile can be used as a frame all round.
- Rail can be mitred for angled corners.
- The rail can accommodate glass from 8 - 15mm thick.
- This system has been tested to SAGA regulations.

TEST CERTIFICATE NUMBER

VISTALINE™ CLAMP RAIL

Track Assembly and Installation

1. Place the pre-drilled clamp base rail on floor and screw into floor, with fixing screws and plugs (Floor fixing not included in set, recommended 6.3 with plugs)
2. Slot in the 50mm clamp rail section, do not tighten the clamps until the glass is in position.
3. Slot in the c-clips onto either end of the rail.
4. Place glass in slot.
5. Tighten the glass clamps ensuring the clamp plate is not loose, the glass should compress a total of 1mm into the cork (0.5mm either side).
6. Clip on covers to finish.



VISTALINE™ CLAMP RAIL

Sections and Calculations

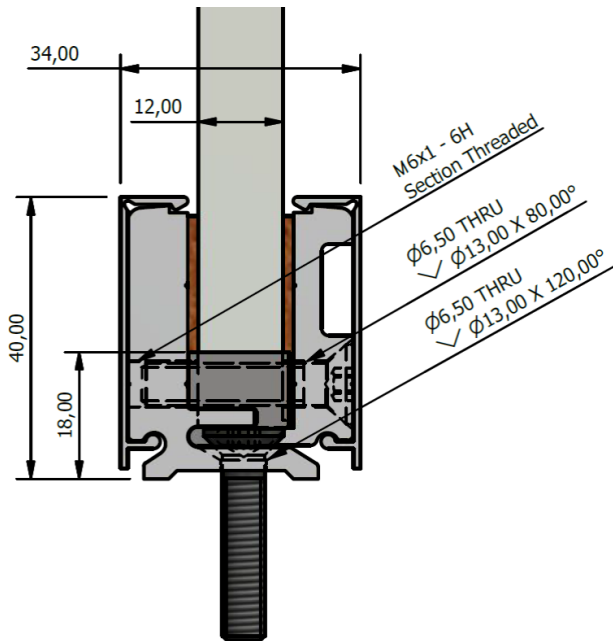
DIMENSIONS AND GLASS SIZING

IF USING RAIL TOP OR BOTTOM ONLY:

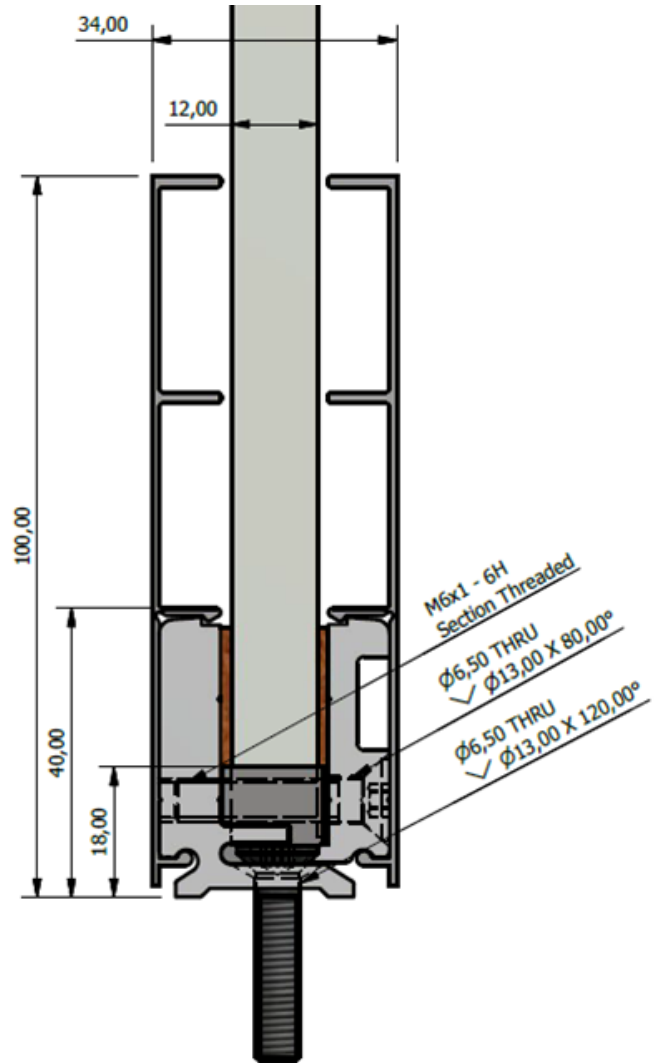
- Glass Height: Opening Height - 18mm
- Glass rests on cover clip

IF USING RAIL TO AND BOTTOM

- Glass Height: Opening Height - (18x2)
- Glass rests on cover clip



40mm Cover Cross Section



100mm Cover Cross Section

NEW IMPROVED VISTALINE™ WALL PROFILE

- Wall profile to accommodate 4 different glass thicknesses.
- No holes or glass preparation required.
- Extended clamp leg gives extra glass support.
- 2 standard clip-on cover sizes to match most shopfront sections

SPECIFICATIONS

- Max Panel Height = 3000mm
- Max Panel Width = 2000mm
- Glass Thickness = 8-15mm

Panel specifications in excess of these guideline limits are possible, please contact Hillaldam.



Since 1958

HEAD OFFICE AND FACTORY

28 Bessemer Road, Heriotdale, Johannesburg, South Africa
P.O. Box 4664, Johannesburg, South Africa, 2000

TEL: (+2711) 626 1001 | **FAX:** (+2711) 626 1341

EMAIL: sales@hillaldam.co.za

SALES OFFICE | CAPE TOWN

Unit A1 Hyde Park, Ottery Road, Ottery, Cape Town
P.O. Box 45614, Ottery, 7808

TEL: (+2721) 703 9310 | **FAX:** (+2721) 703 9312

EMAIL: capetown@hillaldam.co.za

SALES OFFICE | DURBAN

Unit 9, Time Business Park, 32 Kubu Ave
Riverhorse Valley, Durban, 4017
P.O. Box 2681, Durban, 4000

TEL: (+2731) 301 2681 | **FAX:** (+2731) 305 1746

EMAIL: durban@hillaldam.co.za

SALES OFFICE | PORT ELIZABETH

Unit 2 Bawasa Park, 4098A Butterfield Crescent
Fairview, Port Elizabeth

TEL: (+2741) 364 2656 | **FAX:** (+2741) 364 3997

EMAIL: pesales@hillaldam.co.za

SALES OFFICE | GEORGE

P.O. Box 4943, George East, 6539

TEL: (+2744) 874 1586 | **FAX:** (+2744) 874 3043

EMAIL: capetown@hillaldam.co.za
