

# helaform®

THE SLIDING SOLUTIONS YOUR DOOR DESERVES



PRODUCT CATALOGUE



**HELAFORM** was founded in 1983 in Helsinki, Finland. Since its foundation, the company has become the market leader in the Nordic market. Nowadays, Helaform is an internationally well-known brand, with products being supplied to retail and industrial outlets and the commercial and agricultural sectors through its outstanding worldwide network of distributors and agents in Europe, Asia and the Middle-East.

The company's success is driven by excellent service, high-quality products and long-term partnership creation. Due to this, the company has also been recognised for its responsible and sustainable business activities. Such certificates include the High Credit Rating, Design from Finland, Made in Finland and The Strongest in Finland, which are only granted to a small number of companies. The products comply with all industry standards, including the European Standard EN 1527 / EN 1527-2013.

#### Quality and reliability

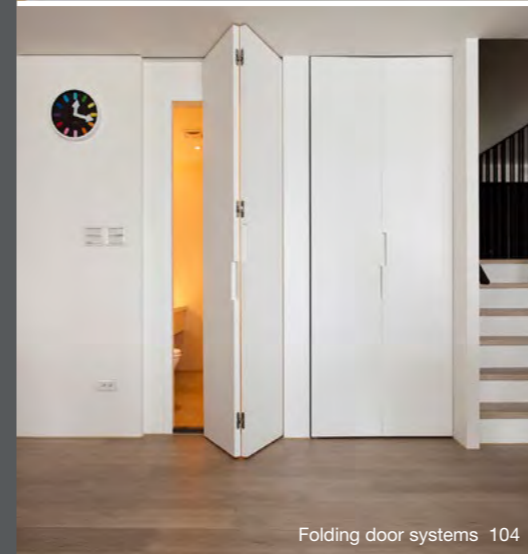
High-quality, EU-manufactured products that are tested by independent research laboratories (VTT). Having our own production allows quality control from design to manufacturing all the way to the customer. The reliability is guaranteed by certainty of supply and with a 10-year limited warranty.

#### Partnership and technical know-how

Technical customer service and long roots in the industry secure the most cost-effective solution for the customer. Long-term partnership creation together with in-house product development allows tailored products to be made for specific market needs.



Sliding door systems 16



Folding door systems 104



Applications 122



Stainless steel 148

<a href="#">Helaform in numbers</a>	4
<a href="#">Series introduction</a>	6
<a href="#">Fittings sets</a>	10
<a href="#">Sliding track profiles</a>	14

## SLIDING DOOR SYSTEMS

<a href="#">Sliding door info</a>	16
-----------------------------------	----

<b>Wardrobes (max. 45 kg)</b>	18
<a href="#">Series 30</a>	20
<a href="#">Series 40</a>	22
<a href="#">Series 60</a>	24
<a href="#">Series 75 (805)</a>	26

<b>Apartments and commercial spaces (50-300 kg)</b>	32
---	----

<a href="#">Series 75</a>	
<a href="#">75 Junior</a>	34
<a href="#">75 Flow</a>	36
<a href="#">75 Steel</a>	44
<a href="#">Saga 150 / Saga 300</a>	56
<a href="#">Extra features (Soft Close, Soft Stop, LHP, Syncro)</a>	64
<a href="#">Retrö</a>	68

<b>Industry and agriculture (120-2000 kg)</b>	70
---	----

<a href="#">Series 100</a>	72
<a href="#">Series 150</a>	78
<a href="#">Series 300 ja 500</a>	86
<a href="#">Series 2000</a>	94
<a href="#">Bottom guides for series 100-2000</a>	98
<a href="#">Handles</a>	101

## FOLDING DOOR SYSTEMS

<a href="#">Folding door info</a>	104
<a href="#">Series 75</a>	106
<a href="#">Series 100-300</a>	108

## APPLICATIONS

<a href="#">Industrial curtain systems</a>	122
<a href="#">Conveyor systems</a>	130
<a href="#">Cable trolley systems</a>	136
<a href="#">Accordion door systems</a>	140

## STAINLESS STEEL

<a href="#">Series 100-500 (max. 500 kg)</a>	148
--	-----

# HELAFORM IN NUMBERS

Who are we, what do we do and how do we do it?



Finnish **FAMILY-OWNED** company since 1983



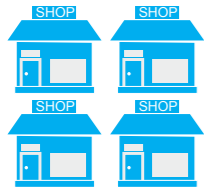
More than **98 % DELIVERY** reliability



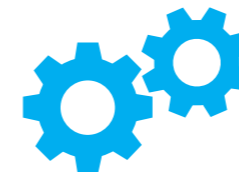
Nearly **40 YEARS OF EXPERIENCE** in sliding track systems



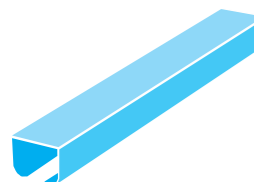
Up to **2,000 KG** sliding door systems



Over **450 RETAILERS** worldwide



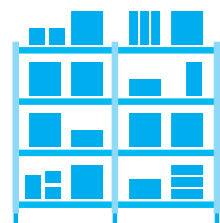
**IN-HOUSE** design, manufacturing and R&D



Over **2,000,000 SLIDING TRACK** metres sold



Many **LONG-TERM** international partnerships



More than **1,000 PRODUCTS** available from stock



Over **94.4 % OF OUR CUSTOMERS** would highly recommend us. Our Net Promoter Score (**NPS**) is **66**.

# SERIES INTRODUCTION

## Lightweight sliding door systems

### 30 / 40 / 60

#### Wardrobe and furniture doors for apartments

An ideal choice for light-timber wardrobe or cupboard installations.

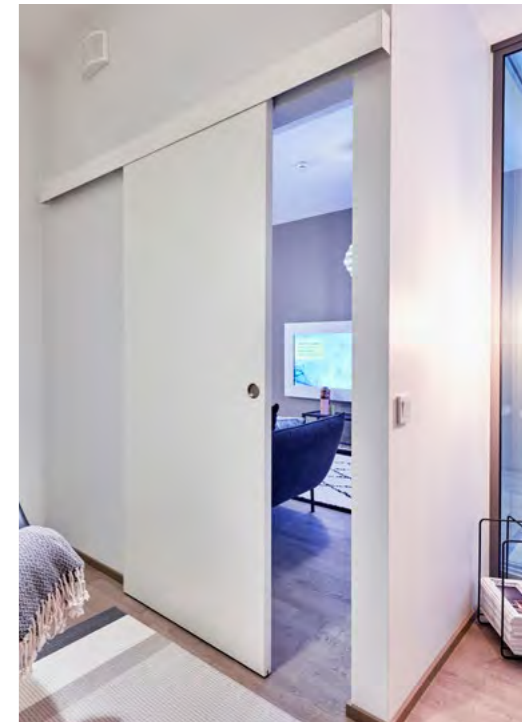
Wardrobe sliding doors are practical in small spaces and hide shelves leaving a stylish end result. With these series, you can install several sliding doors e.g for your wardrobes.



### 75

#### Interior doors and room dividers for apartments and public spaces

75 series is a versatile series for almost all interior and room dividers for use in homes or public spaces. By combining parts within a **75 Flow series**, a solution can be created that is just right for the customer's interior design and functionality needs. **The 75 steel parts**, on the other hand, offer products suitable for outdoor use, for example, for sliding doors in courtyards and external canopies.



### RETRÖ

#### Interior doors and room dividers for apartments

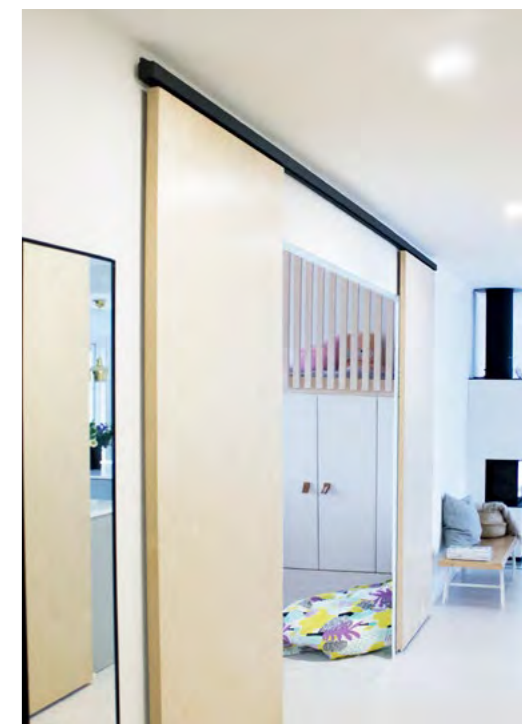
Retrö is a stylish system for interior sliding doors, which create spectacle in your home. Retrö resembles a mechanism familiar from barn doors with a modern updated appearance, with which you can use either new flat sliding doors or an old barn door. The striking black-painted steel parts stand out immediately to the eye, acting as an interior element in itself. The Retrö system is also equipped with a Soft Close mechanism at both ends of the track for added comfort.



### SAGA

#### Custom doors and room dividers for apartments and public spaces

SAGA is designed for spaces where you want a stylish and high-quality solution. For example, for high-quality, custom-made, solid-wood doors, SAGA offers a premium sliding track system. The most common use of the series is in apartments, but due to the high load capacity of the system, it is also used in public spaces, such as galleries, showrooms and exhibition spaces, where the sizes of doors / partitions may be large. The 316L stainless-steel parts of the series allow the system to be installed even in the most demanding conditions.



# SERIES INTRODUCTION

Heavyweight sliding door systems, folding door systems and applications

## 100 / 150

Medium-heavy interior and exterior doors for commercial and industrial spaces

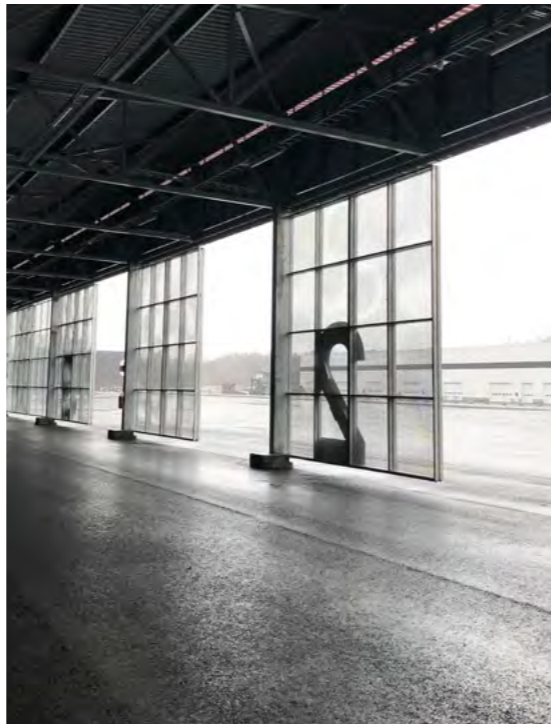
Series 100 and 150 are medium-heavy series. Thanks to their load-bearing capacities with these series you can install heavier sliding doors, partition doors and partition walls for outdoor as well as indoor use. Sliding doors and space dividers for industrial warehouses and canopies are conveniently built with the sliding track systems of these series. In addition, these series are suitable for, e.g. sliding doors in agricultural buildings as well.



## 300 / 500 / 2000

Heavy interior and exterior doors and space dividers for commercial and industrial spaces

Series for heavy sliding doors, space dividers and transfer walls. 2000 series hangers with load capacity up to 2,000 kg is available, which allows for the installation of really large and heavy sliding doors in, for example, the largest industry and logistics centres. Durable and high-quality parts of Helaform make possible the light and safe use of sliding doors.



## FOLDING DOOR SYSTEMS

Folding doors for apartments and industrial spaces

Folding door systems for apartments, industrial and storage buildings are space-saving and economic solutions. In areas where there is no space for sliding doors on the sides of the door opening, folding doors are perfect for saving space. Folding door systems use the same high-quality tracks as sliding door systems.



## APPLICATIONS

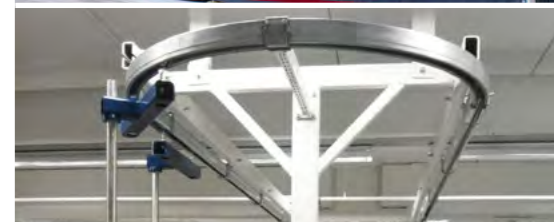
### Industrial curtain systems

Industrial curtain systems are maintenance-free and functional solutions for various types of industry protective and storage curtain systems.



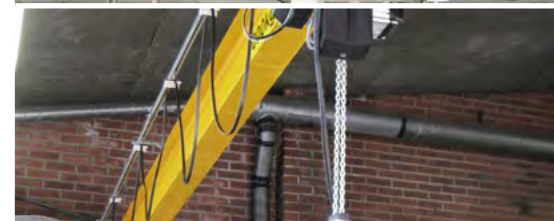
### Conveyor systems

Conveyor systems are flexible and easy to modify. Conveyor tracks can be used in agriculture, gardens, furniture industry, photo studios, paint shops, theatres, etc.



### Cable trolley systems

Flat and round cable trolley systems can be used in various cranes such as bridge cranes, booms, studio lighting and in industrial facilities.



### Accordion door systems

Accordion door systems are used in room dividers, cabinets and hallways. Such a need can be found in homes, schools, offices and other public spaces.



# FITTINGS SETS

Complete Do-It-Yourself packages

- All required parts for an installation in one package
- Stylish and informative packaging
- Compact package size to minimize store shelf space requirement
- Options for a wide variety of doors

**Helaform fittings sets** are colour coded and have informative labels so that the customer can easily choose the most suitable one. The DIY-package range includes solutions for the most common wardrobe and partition needs.



**In stores,** the visual and colourful design of Helaform's fittings sets package pops out as well as minimizes the required store shelf space.








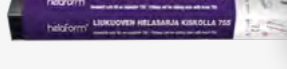





**Store display** provides sales support and useful information to help the customer choose the right product for the need.



Check out more information and availability of our fittings sets from [www.helaform.com](http://www.helaform.com)

# FITTINGS SETS

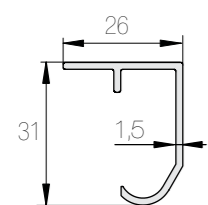
Fittings sets suitability, properties and accessories

Fittings sets		Suitable door widths	Suitable door weight	Suitable door thickness	Track material		Fixing		Includes accessories	
					Aluminum	Steel	Wall	Soffit		
<b>■ SERIES 30 / 40 / 805</b>										
<b>Fittings set with track 365</b>		For one wardrobe door	max. 900 mm	max. 45 kg	16 - 40 mm	X		X	-	
<b>Fittings set with track 465</b>		For two or three* wardrobe doors	max. 1200 mm	max. 45 kg	16 - 40 mm	X		X	-	
<b>Fittings set with track 805</b>		For two wardrobe door	max. 1000 mm	max. 30 kg	max. 16 mm	X		X	-	
<b>■ SERIES 75</b>										
<b>Fittings set with track 75 Junior</b>		For one interior door	max. 1000 mm	max. 50 kg	20 - 40 mm	X		X	-	
<b>Fittings set with track 75 Flow</b>		For one interior door	max. 1200 mm	max. 75 kg	25 - 60 mm	X		X	<ul style="list-style-type: none"> <li>• Soft close</li> <li>• Soft stop</li> </ul>	
<b>Cover plate set 75 Flow</b>		For one interior door	max. 1200 mm	max. 100 kg	25 - 50 mm	X		X	<ul style="list-style-type: none"> <li>• Cover plate</li> </ul>	
<b>Cover plate set 75 Flow SC</b>		For one interior door	max. 1050 mm	max. 75 kg	25 - 50 mm	X		X	<ul style="list-style-type: none"> <li>• Cover plate</li> <li>• Soft close</li> </ul>	
<b>Fittings set with track 755</b>		For one interior or exterior door	max. 1200 mm	max. 100 kg	25 - 60 mm		X	X	-	
<b>Retrö fittings set</b>		For one interior door	max. 1200 mm	max. 80 kg (150 kg)	35 - 45 mm		X	X	<ul style="list-style-type: none"> <li>• Soft close and soft open</li> </ul>	
<b>Fittings set 765</b>		For one interior or exterior door	no track included	max. 100 kg	25 - 60 mm	-	-	X	X	-
<b>Fittings set for folding door 902</b>		For two folding door leaf	no track included	max. 25 kg / door leaf	20 - 40 mm	-	-		X	-
<b>Fittings set for folding door 904</b>		For four folding door leaf	no track included	max. 25 kg / door leaf	20 - 40 mm	-	-		X	-
<b>■ SERIES 150</b>										
<b>Assembly set 150</b>		For one exterior door	max. 1500 mm	max. 200 kg	35 - 47 mm		X	X		For wood or metal door

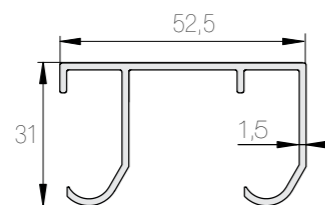
# SLIDING TRACK PROFILES

Track options categorized by series

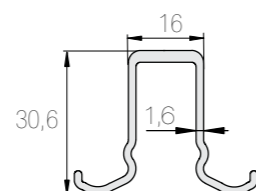
## Aluminium tracks



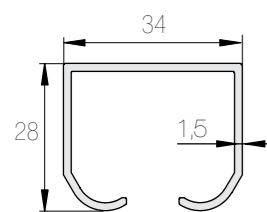
■ Series 30  
K-30 (Al)  
Capacity 45 kg



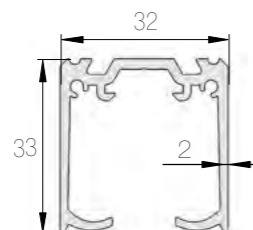
■ Series 40  
K-40 (Al)  
Capacity 45 kg



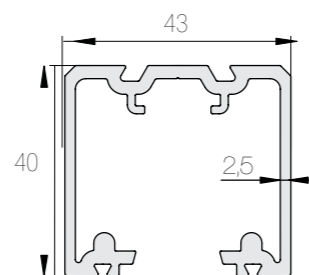
■ Series 60  
K-60 (Al)  
Capacity 45 kg



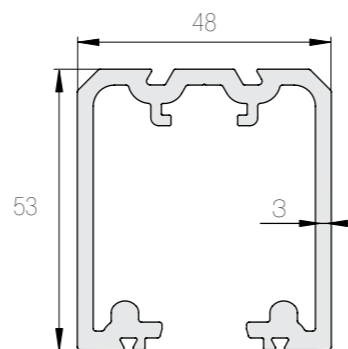
■ Series 75  
K-75 Junior (Al)  
Capacity 50 kg



■ Series 75  
K-75 Flow (Al)  
Capacity 100 kg

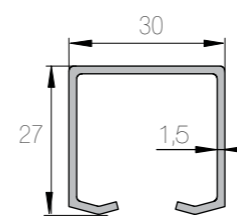


■ Series SAGA  
K-150/SAGA (Al)  
Capacity 150 kg

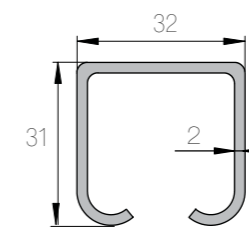


■ Series SAGA  
K-300/SAGA (Al)  
Capacity 300 kg

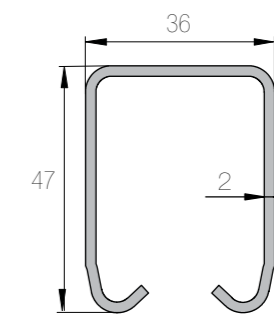
## Galvanized steel tracks



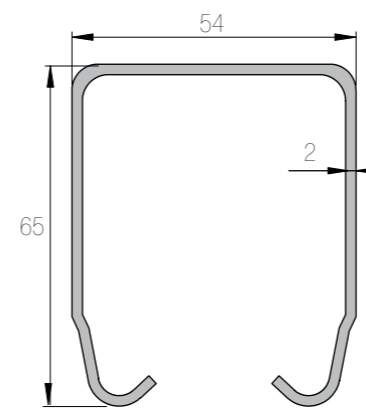
■ Series 75  
K-75  
Capacity 100 kg



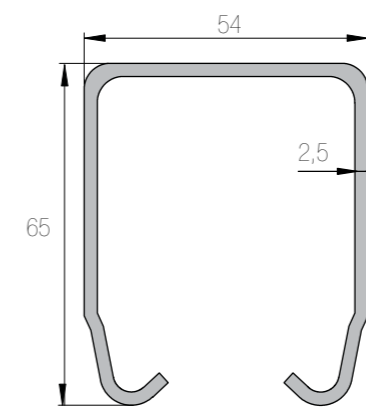
■ Series 100  
K-100  
Capacity 120 kg



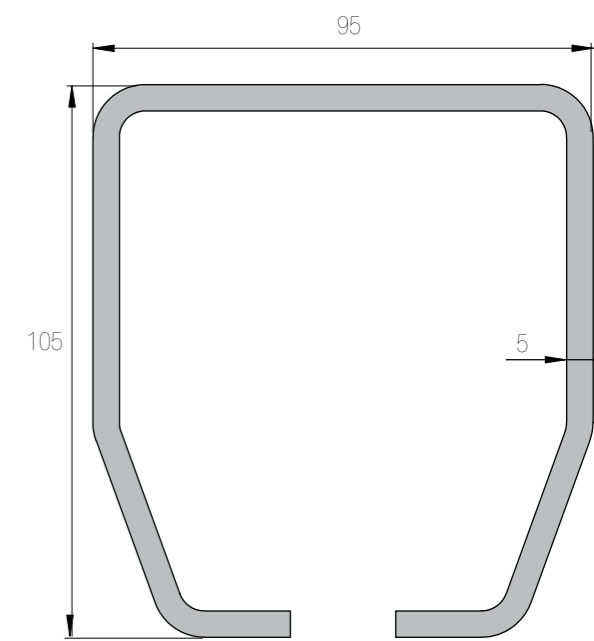
■ Series 150  
K-150  
Capacity 200 kg



■ Series 300  
K-300  
Capacity 300 kg



■ Series 500  
K-500  
Capacity 500-1200 kg



■ Series 2000  
K-2000  
Capacity 2000 kg



# SLIDING DOOR INFO

## Determining a sliding door system and parts

### The installation space & environment

The installation environment determines which materials should be used (e.g. Al, Fe or AISI) and how to install the system while the available space affects the sliding solution itself (e.g. straight sliding, folding door, accordion type door, etc.).

### Design & functionality

The design requirements affect the selection of the suitable sliding fittings and vice versa. Adding functionalities such as Soft Close enhances the usability of the door.

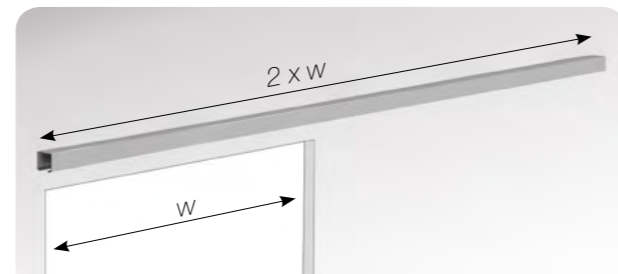
### Door size, construction & weight

The door's width affects the track length, while the door's construction affects the suitable fittings and guides. The door's weight determines the product Series to use. *(Note! In exterior installations please note the wind loads).*

## 6 steps to specify single sliding door system:

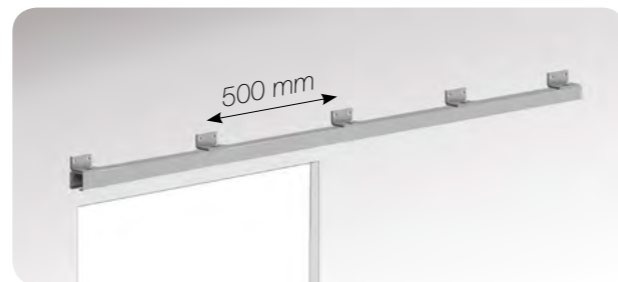
### 1. Sliding track enables the door movement

Track length is twice the width of the door opening.



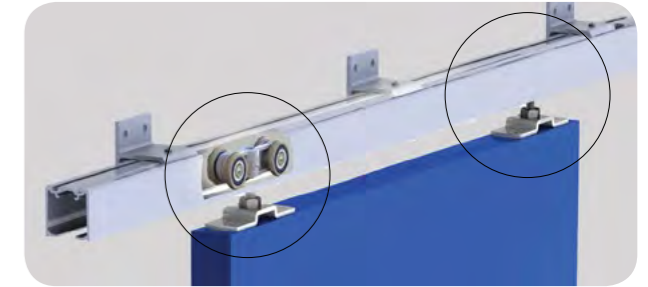
### 2. Brackets to install and support the track

Brackets are used to install the track to wall or soffit. The number of brackets depends on the product Series (bracket interval in the track is min. 500-1000 mm). Aluminium (and 75 steel) tracks can be fixed to soffit straight through the track.



### 3. Hangers slide the door

Hangers are specified 2 pcs per door. In general, nylon wheels are recommended for interior and steel wheels for exterior use. Hangers are fixed to the door from the bolt or by using fixing plates.



### 4. Track stops limit the door movement

Track stops are specified 2 pcs per door.



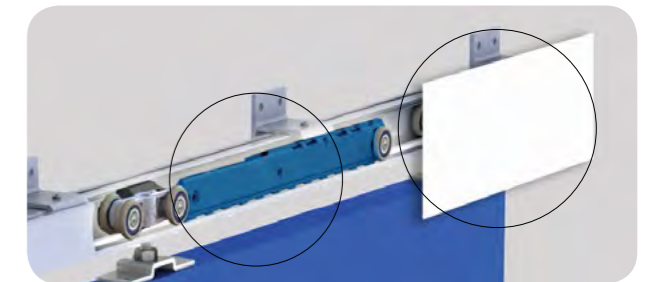
### 5. Bottom guide guides the door movement

Sliding doors always require a bottom guide, which can be either floor or wall fixed. The bottom guide's purpose is to guide the door movement according to the track line.



### 6. Design and functionality with the accessories

**Cover plate** hide the track system, so that only the door and the elegant cover plate remain visible. **Soft Close** closes or opens the door slowly and smoothly.



**SLIDING DOOR SYSTEMS**



Wardrobes

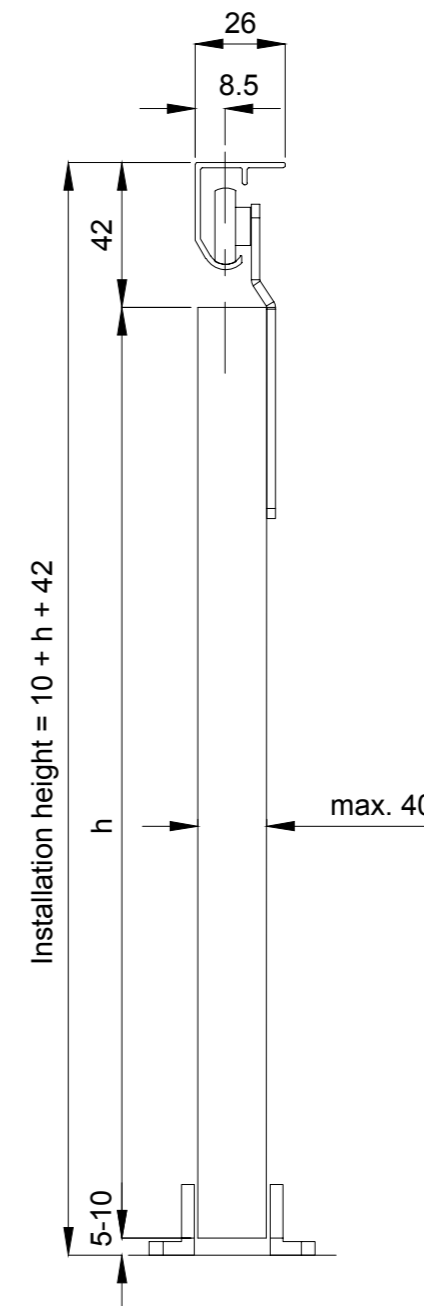




# SERIES 30

Wardrobes



An ideal choice for light-timber wardrobe or cupboard installations. This series includes a set in an easy-installation package which includes all the components needed for one door with different track options available depending on the door width. Wardrobe sliding doors are practical in small spaces and hide shelves leaving a stylish end result.



(Products 10303 and 10304)

## Specifications

<b>Weight</b> (max.capacity)	45 kg / door
<b>Door thickness</b>	16-40 mm

-  Hangers with nylon wheels.  
Lubricated for life ball bearings.
-  Aluminium track

Fittings sets	Track length	Door width (max.)	Code
Fittings set with track 365	1500 mm	750 mm	10303
	1800 mm	900 mm	10304

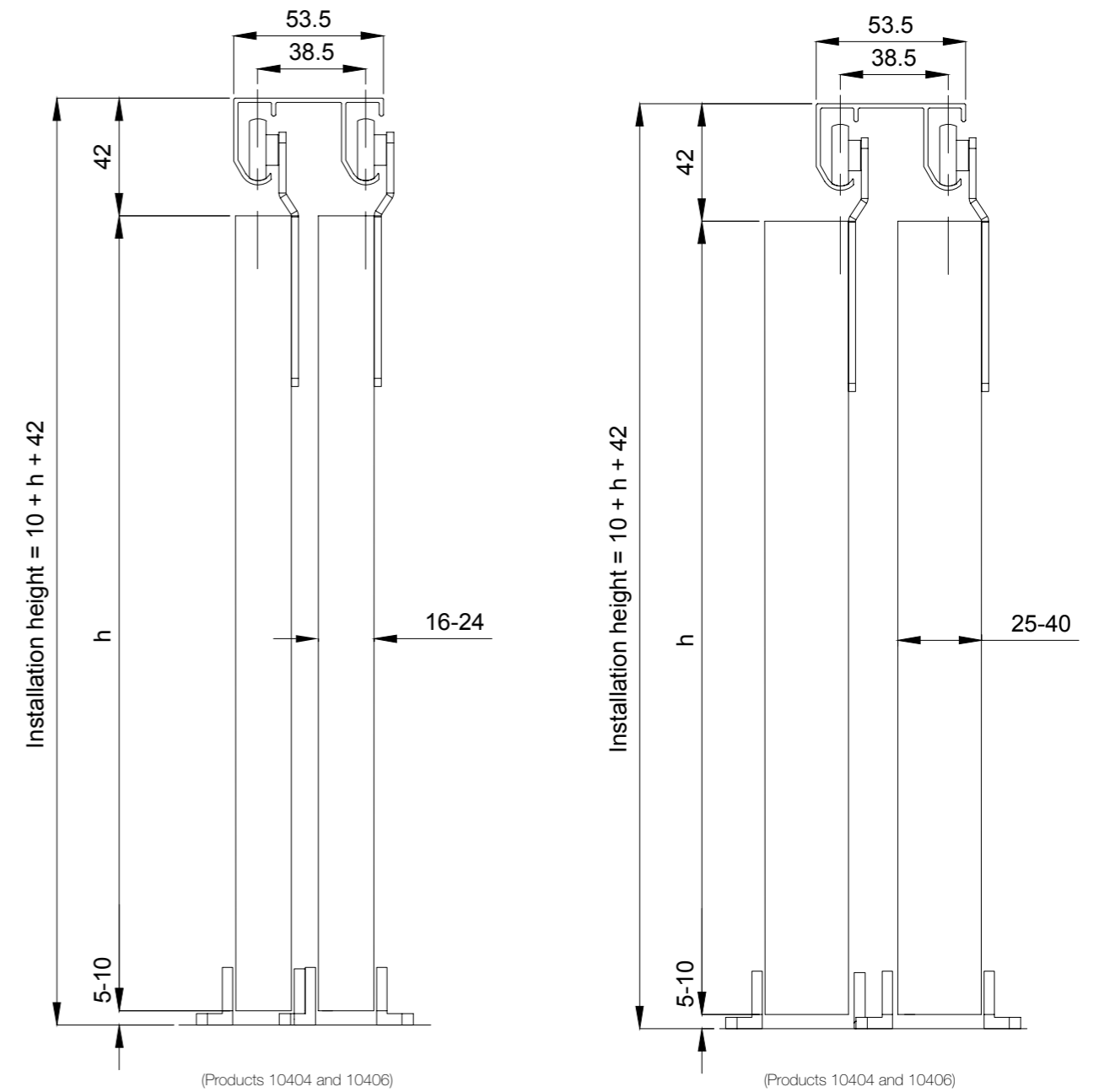
The package components are presented separately on page 28.



# SERIES 40

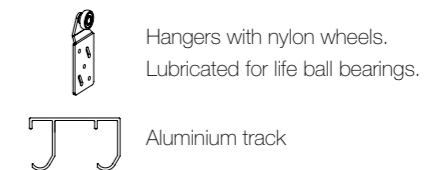
Wardrobes

Designed for light-timber wardrobe and cupboard doors where two or more doors overlap each other. This series has an easy-installation package which includes all the necessary components for two or three doors. These sets are available in different track lengths depending on the door width. Wardrobe sliding doors are practical in small spaces and hide shelves leaving a stylish end result.



## Specifications

<b>Weight</b> (max.capacity)	45 kg / door
<b>Door thickness</b>	16-40 mm



Fittings sets	Track length	Door width (max.)	Code
Fittings set with track 465	1800 mm (for two doors) 2400 mm (for three doors)	900 mm 800 mm	10404 10406

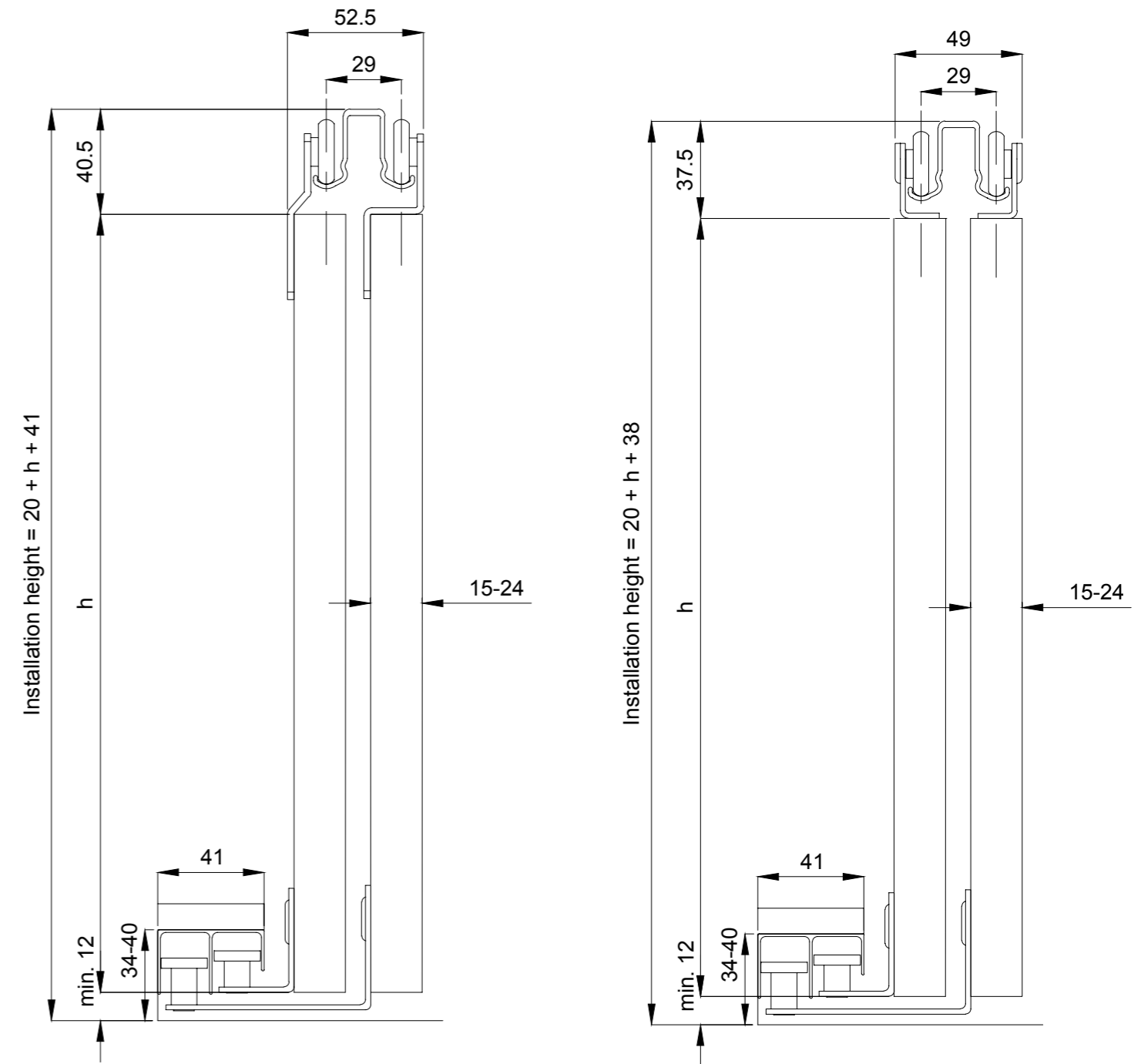
The package components are presented separately on page 29.



# SERIES 60

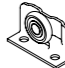

Wardrobes

Designed for two or more timber or mirrored wardrobe doors. The series bottom guides are installed behind the door leaving a clean finish at the front of the door. The hangers are available with top or side fixing plates. This system is designed for the furnishing industry and carpenters.



## Specifications

Weight (max.capacity)	45 kg / door
Door thickness	15-24 mm

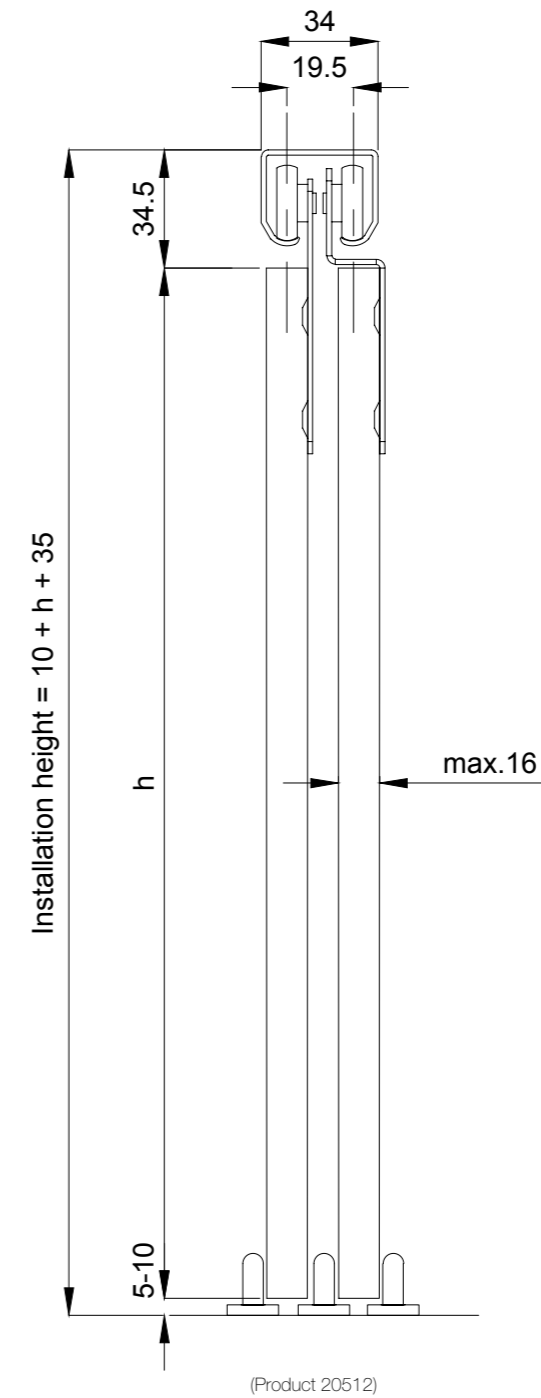
-  Hangers with nylon wheels. Lubricated for life ball bearings.
-  Aluminium track



# SERIES 75 (805)



Wardrobes

Designed for two timber wardrobe doors. This series has an easy-to-install DIY package which includes all the components for two wardrobe doors. This series is an ideal choice when there is only limited space for the track inside the wardrobe since the track is only 34 mm wide and 28 mm high. Wardrobe sliding doors are practical in small spaces and hide shelves leaving a stylish end result.



## Specifications

<b>Weight</b> (max.capacity)	30 kg / door
<b>Door thickness</b> (max.)	16 mm

-  Hangers with nylon wheels.  
Lubricated for life ball bearings.
-  Aluminium track

Fittings sets	Track length	Door width (max.)	Code
Fittings set with track 805	2000 mm	1000 mm	20512

The package components are presented separately on page 31.

DIY FITTINGS SETS		CODE
<p>DIY Fittings set with track 365 (Soffit fixing)</p> <p>1 x track K-30    2 x hanger PP-30/40/right    1 x bottom guide set 30    1 x stop set 30/40</p>	Set with 1.5 m track (Al)	10303
	Set with 1.8 m track (Al)	10304

ALUMINIUM TRACKS			CODE
	K-30 1.5 m (Al)		10315
	K-30 1.8 m (Al)		10318

HANGER			CODE
	PP-30/40/right Nylon. Side fixing. For tracks K-30 and K-40. (Capacity 45 kg / pair)		10501
	PP-30/40/left Nylon. Side fixing. For track K-40. (Capacity 45 kg / pair)		10500
	PP-30/40/right Nylon. Side fixing. For tracks K-30 and K-40. (Capacity 45 kg / pair)		10501

BOTTOM GUIDE			CODE
	Bottom guide set 30 Floor fixing.		10330

STOP			CODE
	Stop set 30/40 For tracks K-30 and K-40.		10511

DIY FITTINGS SETS		CODE
<p>DIY Fittings set with track 465 (Soffit fixing)</p> <p>1 x track K-40    2 x hanger PP-30/40/left    2 (4)* x hanger PP-30/40/right    2 x bottom guide set 40    2 x stop set 30/40</p> <p>*Fittings set with track 465 with 2.4 m track includes 4 (PP-30 / 40 / right) hangers.</p>	Set with 1.8 m track (Al)	10404
	Set with 2.4 m track (Al)	10406

ALUMINIUM TRACKS			CODE
	K-40 1.8 m (Al)		10418
	K-40 2.4 m (Al)		10424
	K-40 3 m (Al)		10425

HANGERS			CODE
	PP-30/40/left Nylon. Side fixing. For track K-40. (Capacity 45 kg / pair)		10500
	PP-30/40/right Nylon. Side fixing. For tracks K-30 and K-40. (Capacity 45 kg / pair)		10501

BOTTOM GUIDE			CODE
	Bottom guide set 40 Floor fixing.		10430

STOP			CODE
	Stop set 30/40 For tracks K-30 and K-40.		10511

ALUMINIUM TRACK		CODE
		<b>K-60 3 m (Al)</b> 11603
HANGERS		
		<b>PP-60</b> Nylon. Top fixing. For track K-60. (Capacity 45 kg / pair) 11620
		<b>PP-60/S</b> Straight. Nylon. Side fixing. For track K-60. (Capacity 45 kg / pair) 11621
		<b>PP-60/T</b> Bent. Nylon. Side fixing. For track K-60. (Capacity 45 kg / pair) 11622
BOTTOM GUIDES		
		<b>AO-60/P</b> Long. Nylon. Wall fixing. (ø 6 mm) 11630
		<b>AO-60/L</b> Short. Nylon. Wall fixing. (ø 6 mm) 11632
		<b>AOK-60 3 m (Al)</b> Aluminium. Bottom guide channel. 11610

COMPLETE SET		CODE
	<b>DIY Fittings set with track 805 (Soffit fixing)</b> 1 x track K-75 Junior (Al) 2 x hanger KOP-30/S 2 x hanger KOP-30/T 3 x bottom guide AO-75	<b>Set with 2 m track (Al)</b> 20512
ALUMINIUM TRACK		
		<b>K-75 Junior 2 m (Al)</b> 20017
HANGERS		
		<b>KOP-30/S</b> Straight. Nylon. Side fixing. For track K-75 Junior. (Capacity 30 kg / pair) 20046
		<b>KOP-30/T</b> Bent. Nylon. Side fixing. For track K-75 Junior (Capacity 30 kg / pair) 20047
BOTTOM GUIDE		
		<b>AO-75</b> HD-polyethylene. Floor fixing. (ø 6 mm) (Capacity 100 kg) 20300

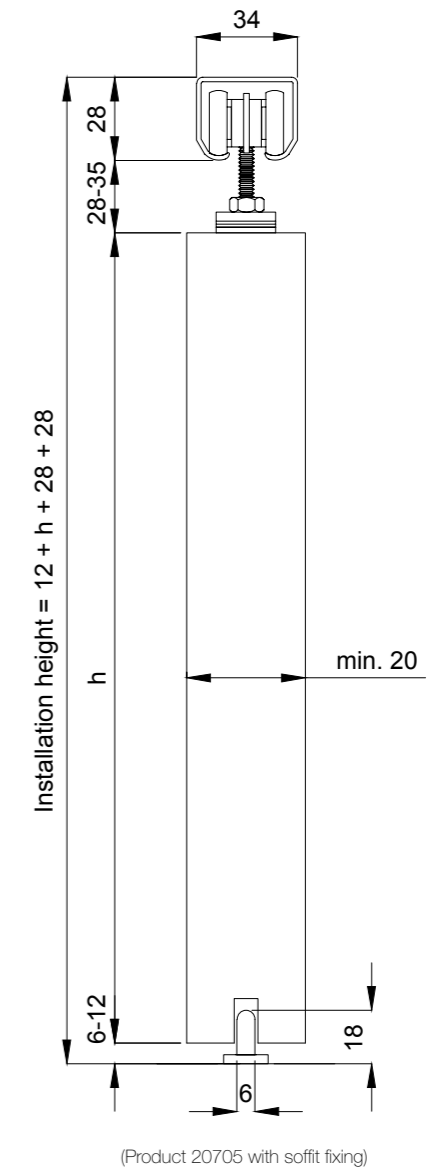
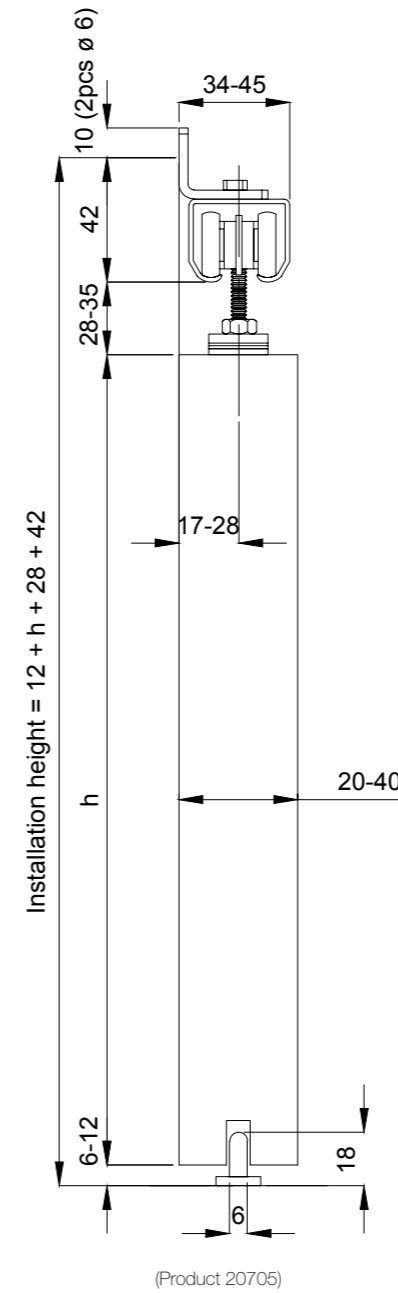


**SLIDING DOOR SYSTEMS**



Apartments and  
commercial spaces





# 75 JUNIOR


■ Apartments and commercial spaces

The 75 Junior fittings set is suitable for **light interior sliding doors**. The set is mainly used in simple door installations where no special features are needed. The quality 1.5 mm thick aluminium track gives the track a maximum weight capacity of 50 kg. Due to the track's size, it also fits into small spaces.




## Specifications

<b>Weight</b> (max.capacity)	50 kg / door
<b>Door thickness</b>	20-40 mm
<b>Bracket interval</b> (max.)	500 mm

 Hangers with nylon wheels. Lubricated for life ball bearings.

 Aluminium track

 Zinc plated (min. 8 µm) steel parts. Tested in salt water spray chamber (240 h).

Fittings sets	Track length	Door width (max.)	Code
Fittings set with track 75 Junior	2000 mm	1000 mm	20705

The package components are presented separately on page 46.

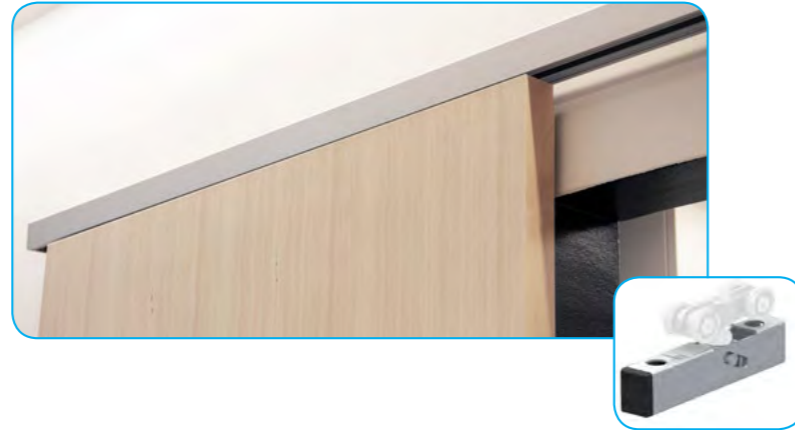
# 75 FLOW

One series, many solutions

## APPEARANCE

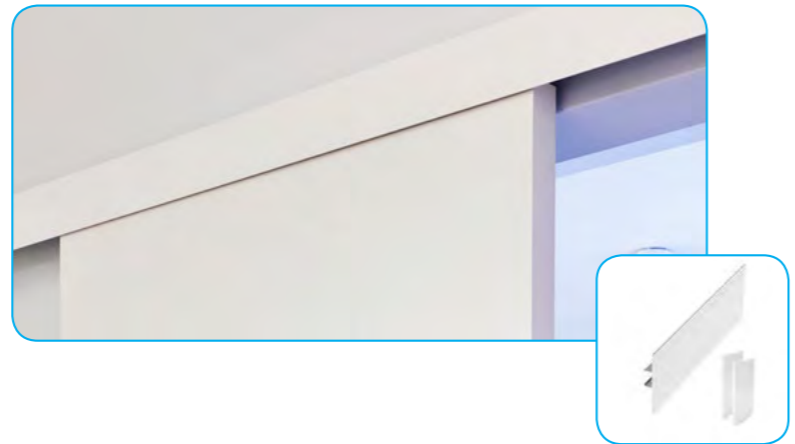
### Leave the track visible

With the **LHP adjustable plate**, the distance between the door and the track can be adjusted to a minimum, allowing the appearance to continue in style from track to door, creating an almost seamless look for your sliding door. This feature is also perfect for ceiling-concealed track installation.



### Hide the track

The **cover plate** hides the track system, so that only the door and the elegant cover plate remain visible. Cover plates are available in a straight and curved versions that cover the track system also from above. The cover plate is simply clicked into place without any need for screws.



### Create your own style

When you want to create a sliding door just for your interior, for example, so that the cover plate fits with the door or wall design, a **facing board holder** can be used. With it, you can install your own cover plate (with a certain color or material) to hide the track.



## FUNCTIONALITY

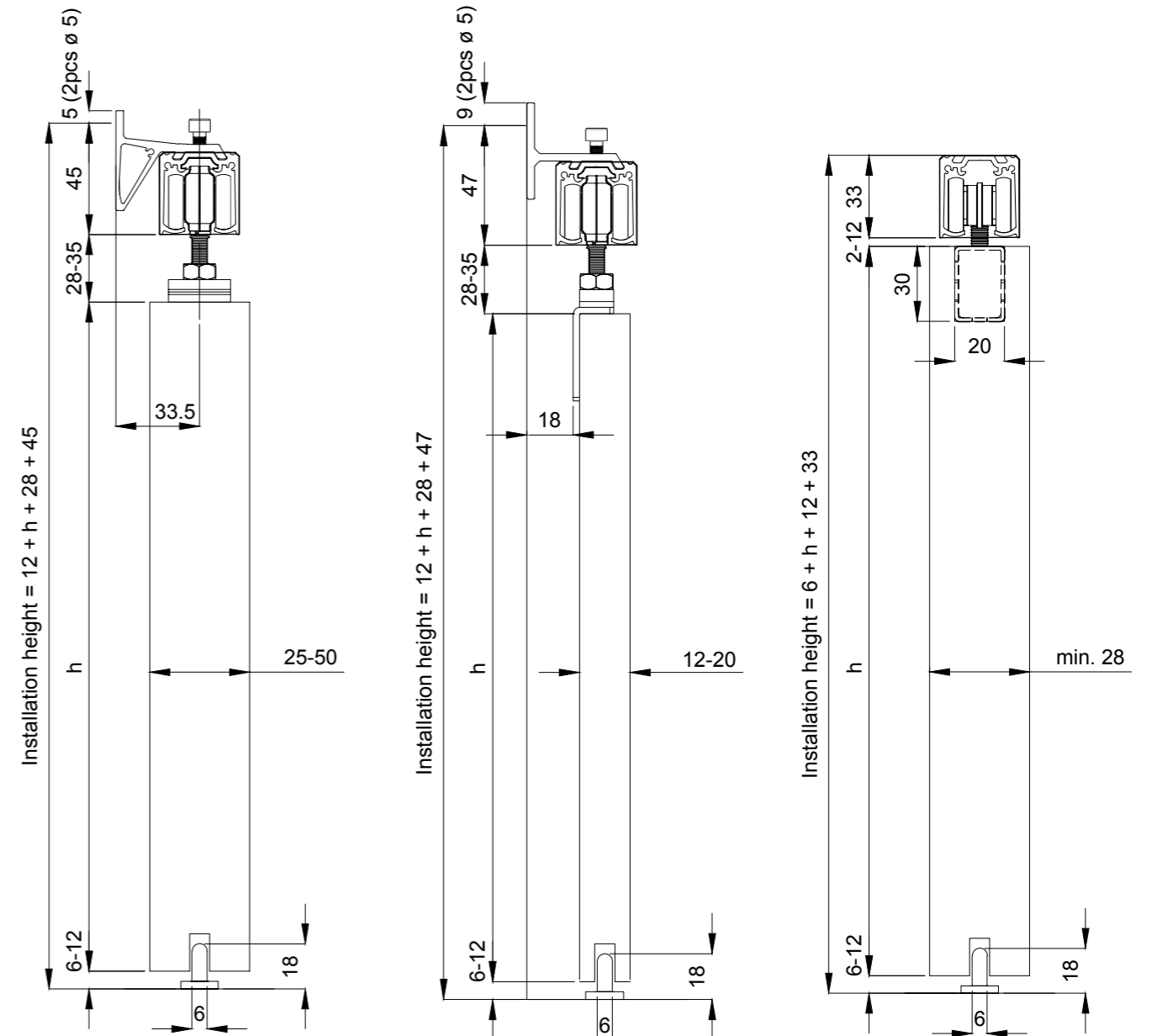
**The Soft Close** closes the door slowly and smoothly. This feature also brings safety and durability to the door use.

**The Soft Stop** stops the door lightly, damping it and catching it from the hanger, keeping the door closed or open.



**Syncroduo** allows two doors to move on one track so that the doors open simultaneously by moving only one door.





(Products 20708 and 20709)

# 75 FLOW



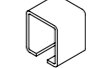
■ Apartments and commercial spaces

A stylish and versatile series for indoor use when you want to leave the track visible, embed it in the ceiling, for example, or make a cover plate on the track yourself. This set also includes additional mechanisms such as a Soft Close and Soft Stop. All these features add to the ease of installation and comfortable usage of the system. This set is used with wood, aluminium and composite doors.



## Specifications

<b>Weight</b> (max.capacity)	75-100 kg / door
<b>Door thickness</b>	12-60 mm
<b>Bracket interval</b> (max.)	500 mm
<b>Door width</b> (min.) when using 1 Soft Close	500 mm
<b>Door width</b> (min.) when using 2 Soft Close	750 mm

-  Hangers with nylon or steel wheels. Lubricated for life ball bearings.
-  Aluminium or anodized aluminium track
-  Zinc plated (min. 8 µm) steel parts. Tested in salt water spray chamber (240 h).

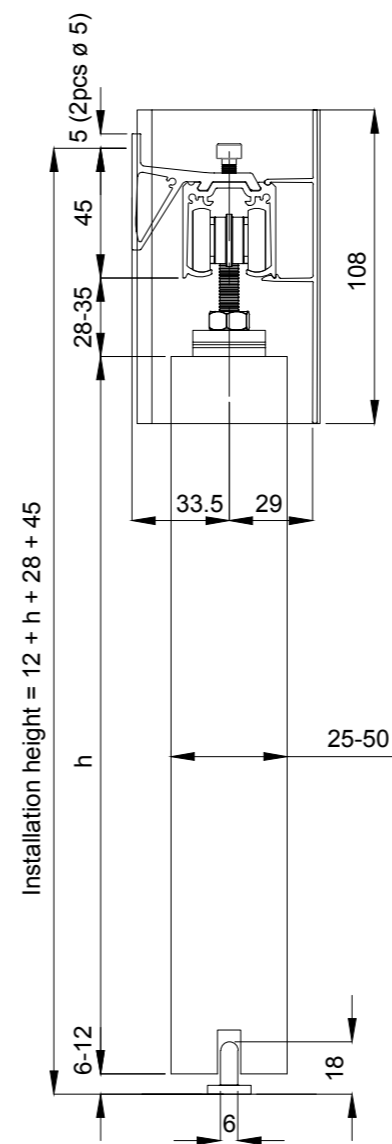
Fittings sets	Track length	Door width (max.)	Code
Fittings set with track 75 Flow	2100 mm	1050 mm	20709
	2400 mm	1200 mm	20708

The package components are presented separately on page 46.

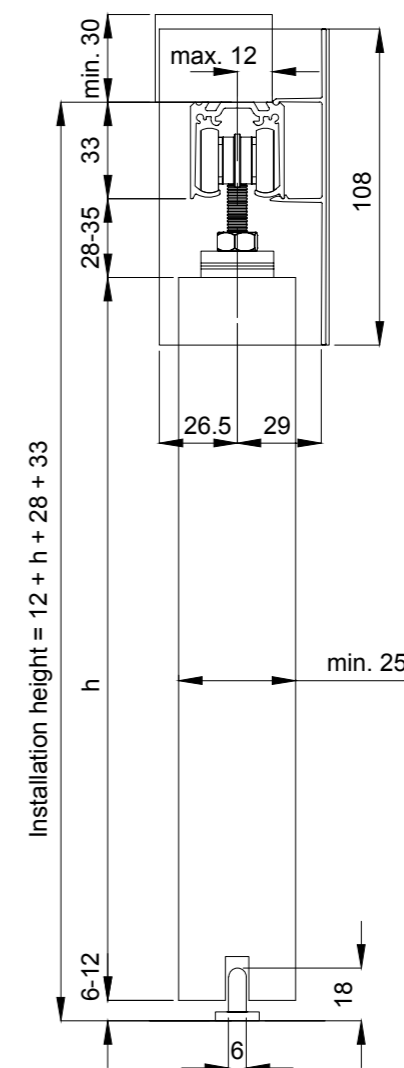


# Datasheet

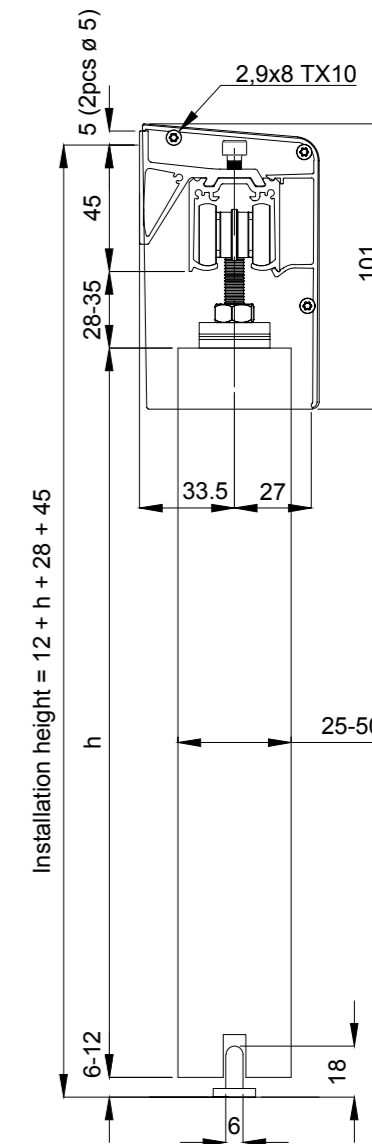
# 75 Flow



(Products 20620, 20621, 20622 and 20636)



(Products 20620, 20621, 20622 and 20636 with soffit fixing)



## COVER PLATE SET 75 FLOW

■ Apartments and commercial spaces

Cover plate set 75 Flow is an ideal choice when you want a functionally complete system and track hidden with a ready-made cover plate to complete the look. The most typical uses for the series are **apartments, kindergartens, nursing homes, hospitals and offices**. A version with a Soft Close is also available in the fittings sets. Cover plates are available with straight or curved cover plates.



## Specifications

Weight (max.capacity)	75-100 kg / door
Door thickness	12-50 mm
Bracket interval (max.)	500 mm
Door width (min.) when using 1 Soft Close	500 mm
Door width (min.) when using 2 Soft Close	750 mm

- Hangers with nylon or steel wheels. Lubricated for life ball bearings.
- Aluminium track and powder coated aluminium cover plate
- Zinc plated (min. 8 µm) steel parts. Tested in salt water spray chamber (240 h).

Fittings sets	Track length	Door width (max.)	Code
Cover plate set 75 Flow (RAL 9010)	2100 mm	1050 mm	20620
	2400 mm	1200 mm	20621
	3000 mm	1500 mm	20622
Cover plate set 75 Flow (RAL 9010) (Includes Soft Close)	2100 mm	1050 mm	20636

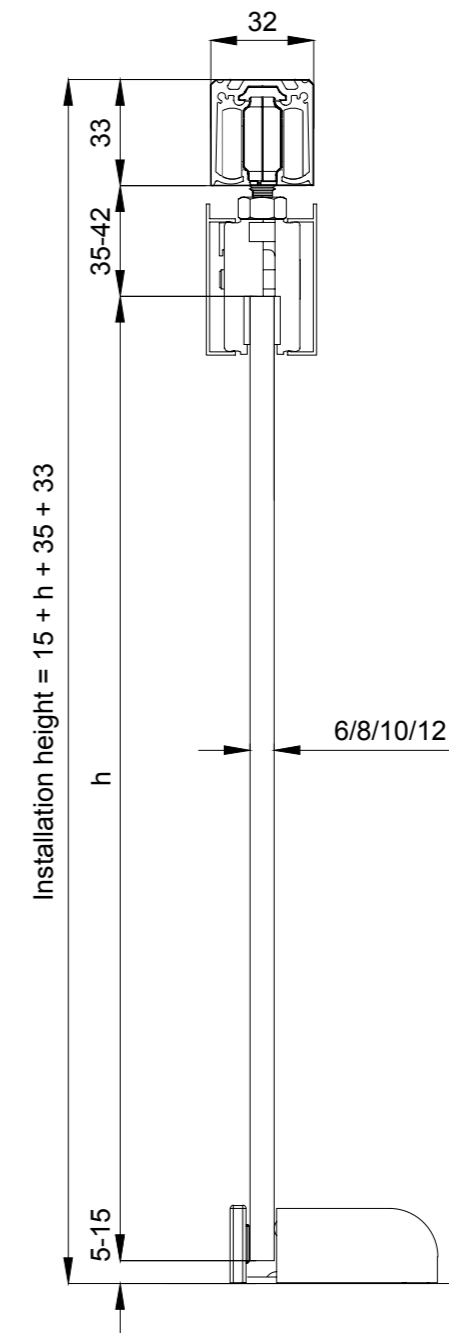
The package components are presented separately on page 46.



## SLIDING GLASS SYSTEMS



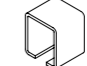
■ Apartments and commercial spaces

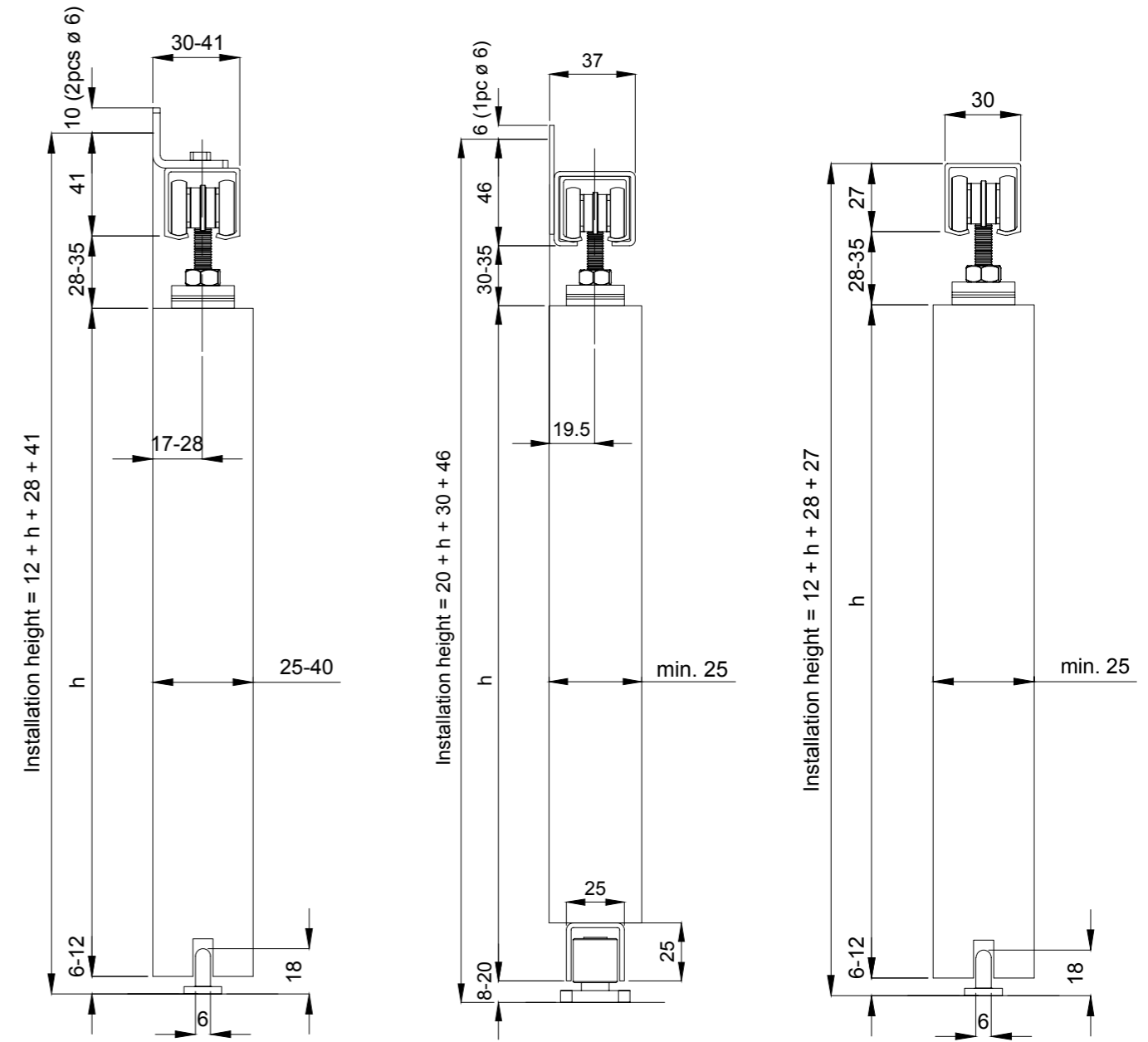
Helaform's glass door series are designed for a wide variety of glass door sizes for interior use. Helaform's tracks and components allow the designer to order the glass tailored to the individual needs of the doorway. No fixing holes are needed in the glass for doors up to 120 kg. Helaform's glass door components are suitable for public spaces such as **offices, hotels, shopping malls** and **airports** as well as **private housings**.



### Specifications

Weight (max. capacity)	100 kg
Glass thickness	6-12 mm

-  Hangers with nylon or steel wheels. Lubricated for life ball bearings.
-  Aluminium or anodized aluminium track
-  Zinc plated (min. 8 µm) steel parts. Tested in salt water spray chamber (240 h).



(Products 20603 and 20604)

(Products 20603 and 20604 with soffit fixing)

# 75 STEEL


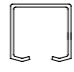
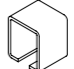
■ Apartments and commercial spaces

This series is suitable, for example, for sliding doors in yard and outdoor warehouses where a durable and simple sliding door system is required. The track can be fixed to the wall with brackets or directly from the track to the ceiling. With nylon hangers, it is also suitable for interior doors. Suitable for use with wood, metal and composite doors.


























## Specifications






























<b>Weight</b> (max.capacity)	100 kg / door
<b>Door thickness</b>	12-40 mm
<b>Bracket interval</b> (max.)	500 - 1000 mm

-  Hangers with steel wheels. Lubricated for life ball bearings.
-  Hot-dipped galvanized steel track (min. 20 µm).
-  Zinc plated (min. 8 µm) steel parts. Tested in salt water spray chamber (240 h).

Fittings set	Track length	Door width (max.)	Code
Fittings set with track 775	2000 mm 2400 mm	1000 mm 1200 mm	20603 20604

The package components are presented separately on page 47.

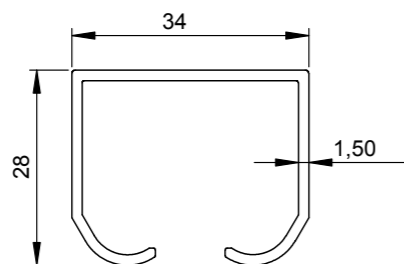
FITTINGS SETS	CODE
 <p><b>Fittings set with track 75 Junior</b></p>      <p>1 x track K-75 Junior (Al) 2 x hanger PP-75/Junior 5 x wall bracket SK-75/steel/Junior 2 x stop KP-75 1 x bottom guide AO-75</p> <p>Holes are pre-drilled in the track for also soffit fixing. The screws are included in the package.</p>	2 m track (Al) 20705
 <p><b>Fittings set with track 75 Flow</b></p>      <p>1 x track K-75 Flow (Al) 1 x hanger MP-75/nylon 2 x plate PLP-75 5 x wall bracket SKX-75/Flow 1 x Soft Close OH-75/Flow (75kg)</p>    <p>1 x Soft Stop SS-75 1 x bottom guide AO-75 1 x end cap PLH-75/Flow (pair)</p> <p>Holes are pre-drilled in the track for also soffit fixing. The screws are included in the package.</p>	2,1 m track (Al) 20709  2,4 m track (Al) 20708
 <p><b>Cover plate set 75 Flow</b></p>      <p>1 x track K-75 Flow 2 x hanger PP-75/nylon 5 (7)* x wall bracket SKX-75/Flow 2 x stop KP-75 1 x bottom guide AO-75</p>   <p>1 x cover plate 1 x end cap (pair)</p> <p>*Cover plate set 75 Flow with 3 m track includes 7 wall brackets. Also available with grey cover plate. Ask offer from our sales. (Curved cover plate available separately)</p>	2,1 m track (Al) 20620 2,4 m track (Al) 20621 3 m track (Al) 20622  2,1 m track (Al) 20626 2,4 m track (Al) 20627 3 m track (Al) 20628

FITTINGS SETS	CODE
 <p><b>Cover plate set 75 Flow SC (Includes Soft close)</b></p>      <p>1 x track K-75 Flow 1 x hanger MP-75/nylon 2 x plate PLP-75 5 x wall bracket SKX-75/Flow 1 x stop KP-75</p>     <p>1 x bottom guide AO-75 1 x cover plate 1 x end cap (pair) 1 x Soft Close OH-75/Flow (75kg)</p>	2,1 m track (Al) 20636  2,4 m track (Al) 20637  3 m track (Al) 20638
 <p><b>Fittings set with track 755</b></p>      <p>1 x track K-75 2 x hanger PP-75/nylon 5 x wall bracket SK-75/steel/Junior 2 x stop KP-75/100 1 x bottom guide AO-75</p> <p>Holes are pre-drilled in the track for also soffit fixing. The screws are included in the package.</p>	2 m track (Fe) 20603  2,4 m track (Fe) 20604
 <p><b>Fittings set 765</b></p>    <p>2 x hanger PP-75/nylon 2 x stop KP-75 1 x bottom guide AO-75</p>	no track included 20603
 <p><b>Assembly set 765</b></p>    <p>2 x hanger MP-75/nylon 2 x stop KP-75 1 x bottom guide AO-75</p>	no track included 20509
 <p><b>Assembly set 775 (With adjustable low headroom plate)</b></p>     <p>2 x hanger MP-75/nylon 2 x stop KP-75 1 x bottom guide AO-75 2 x low headroom plate LHP-75</p>	no track included 20508



## ALUMINIUM TRACKS

## CODE



K-75 Junior 2 m (Al) 20017

K-75 Junior 2,4 m (Al) 20019

K-75 Junior 3 m (Al) 20020

\*Also available with anodized aluminium track for projects. Ask more for our sales.

K-75 Flow 2,1 m (Al) 20201

K-75 Flow 2,4 m (Al) 20205

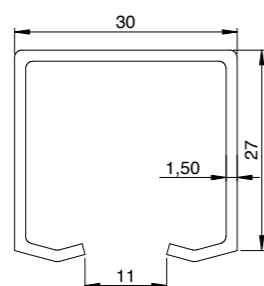
K-75 Flow 3 m (Al) 20203

K-75 Flow 4 m (Al) 20204

K-75 Flow 6 m (Al) 20206

\*Also available with anodized aluminium track for projects. Ask more for our sales.

## GALVANIZED STEEL TRACKS (recommended for outdoor use)



K-75 2 m 20001

K-75 2,4 m 20010

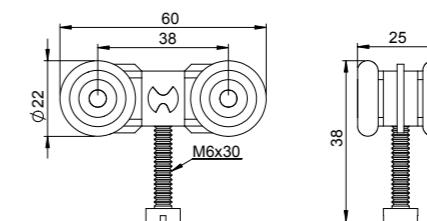
K-75 3 m 20003

K-75 4 m 20004

K-75 6 m 20006

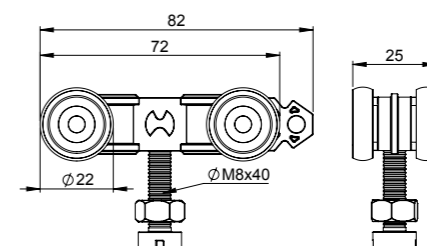
## HANGERS

## CODE



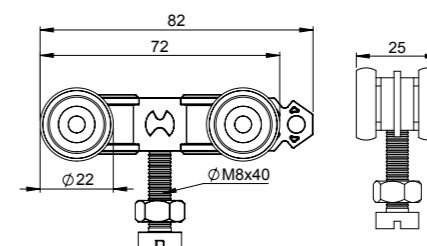
**MP-75/Junior**  
Nylon.  
For track K-75 Junior.  
(Capacity 50 kg / pair)

20035



**MP-75/nylon**  
For tracks K-75 and K-75 Flow.  
(Capacity 100 kg / pair)

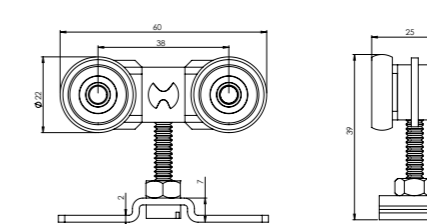
20040



**MP-75/steel**  
For tracks K-75.  
(Capacity 100 kg / pair)

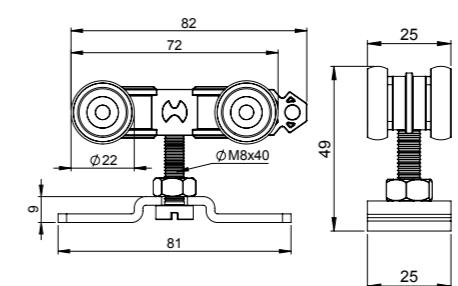
20042

## HANGERS WITH FIXING PLATES



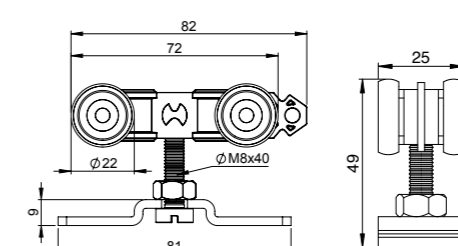
**PP-75/Junior**  
Nylon.  
For track K-75 Junior.  
(Capacity 50 kg / pair)  
(Door width min. 20 mm)

20036



**PP-75/nylon**  
For tracks K-75 and K-75 Flow.  
(Capacity 100 kg / pair)  
(Door width min. 25 mm)


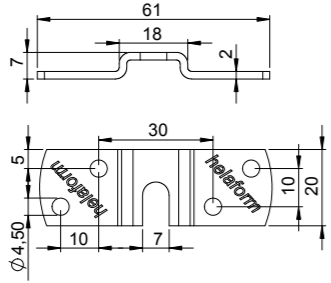

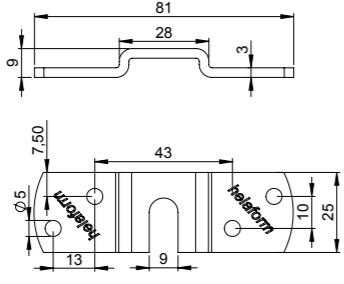

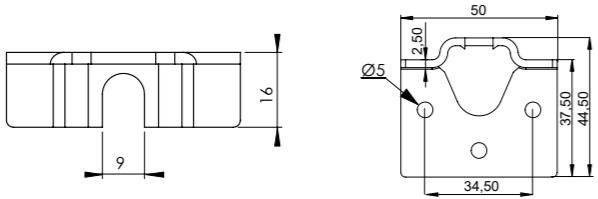

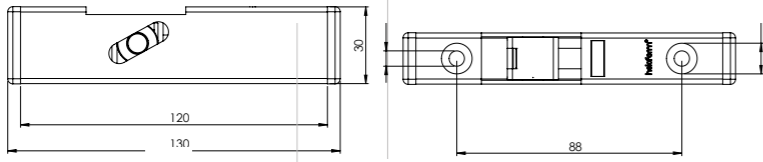
20041




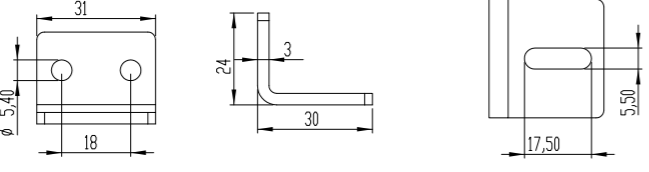
**PP-75/steel**  
For tracks K-75.  
(Capacity 100 kg / pair)  
(Door width min. 25 mm)

20043


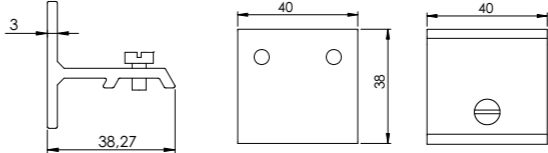

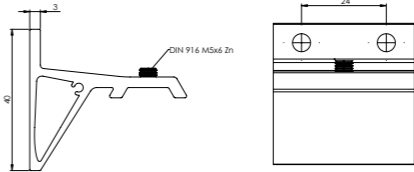

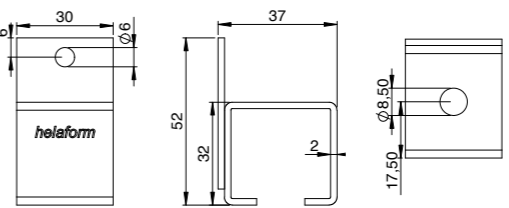

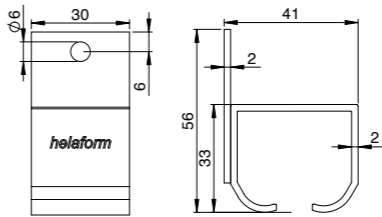

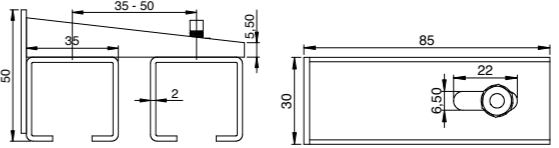
## FIXING PLATES

		CODE
		<b>PLP-75/Junior</b> Top fixing. For timber door. For hanger MP-75/Junior (Door thickness min. 20 mm)
		<b>PLP-75</b> Top fixing. For timber door. For hanger MP-75. (Door thickness min. 25 mm)
		<b>PLS-75</b> Side fixing. For timber door. For hanger MP-75. (Door thickness min. 12 mm) (Capacity 100 kg / pair)
		<b>Low headroom plate LHP-75</b> For timber door. For hanger MP-75. (Door thickness min. 26 mm) (Capacity 100 kg / pair)


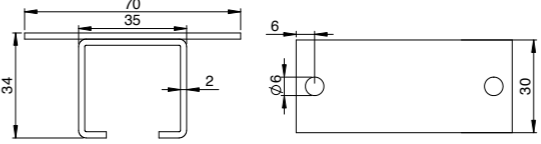
## WALL BRACKETS

		<b>SK-75/steel/Junior</b> For tracks K-75 and K-75 Junior. (Door thickness max. 40 mm) (Bracket interval 500 mm)
---	---	---


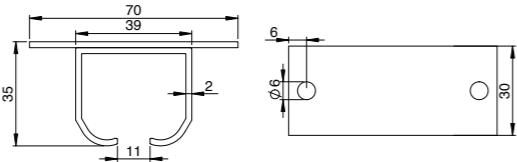

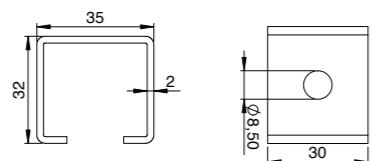
## WALL BRACKETS

		CODE
		<b>SK-75/Flow</b> For track K-75 Flow. (Door thickness max. 50 mm)
		<b>SKX-75/Flow</b> For track K-75 Flow. (Door thickness max. 60 mm)
		<b>SKU-75/steel</b> For track K-75. (Door thickness max. 30 mm)
		<b>SKU-75/Junior</b> For track K-75 Junior. (Door thickness max. 35 mm)
		<b>SK/2-75/steel</b> For double track. For track K-75. (Door thickness max. 35 mm)

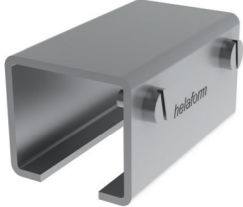
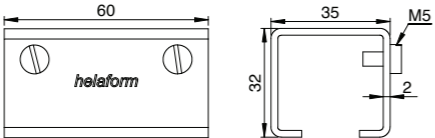
## SOFFIT BRACKETS

		<b>KKK-75/steel</b> For track K-75.
---	---	--


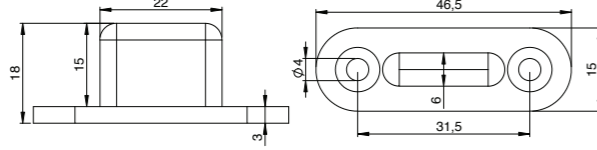
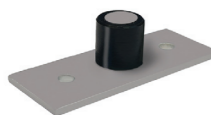
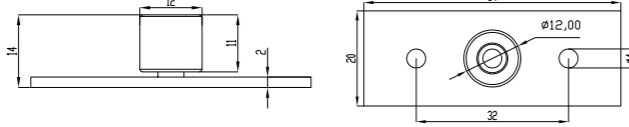

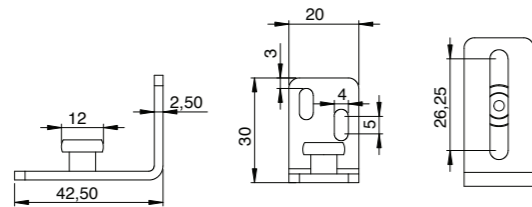
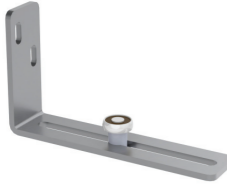
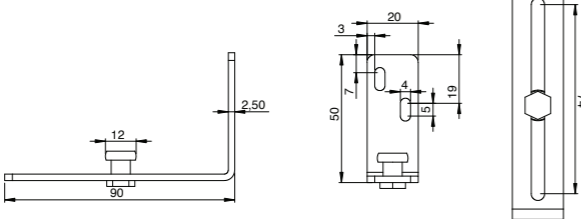
## SOFFIT BRACKETS

		CODE
		<b>KKK-75/Junior</b> For track K-75 Junior. 20081
		<b>KK-75/steel</b> For track K-75. 20082


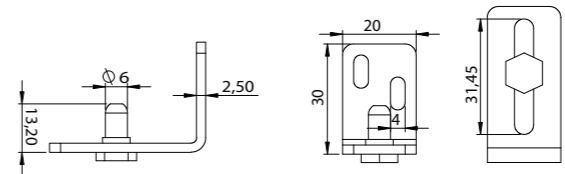
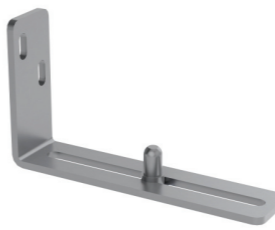
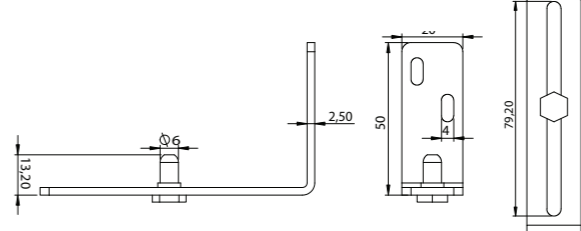
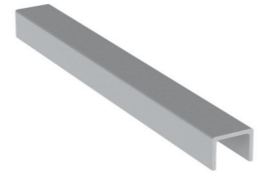
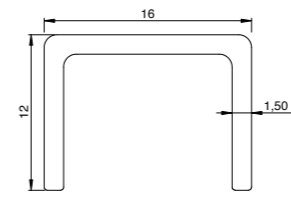
## TRACK JOINT

		<b>LKU-75/steel</b> For tracks K-75 and K-75 Junior. 20090
--	--	--


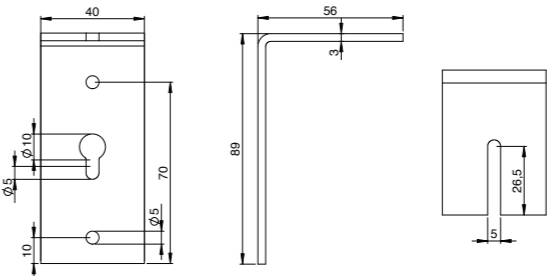

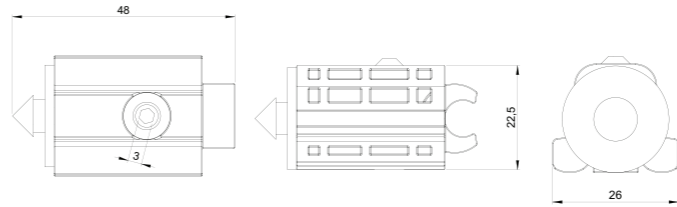

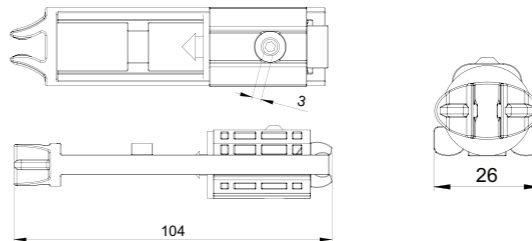
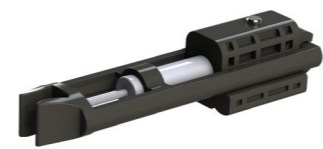
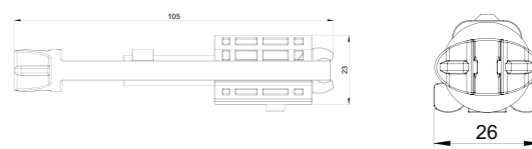
## BOTTOM GUIDES

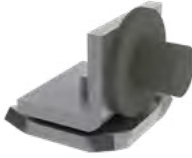
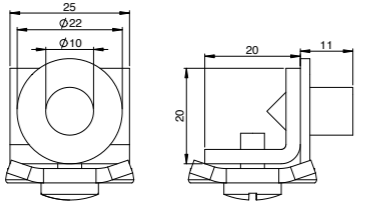

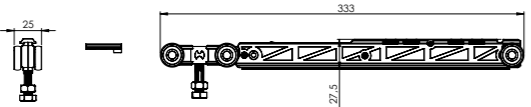

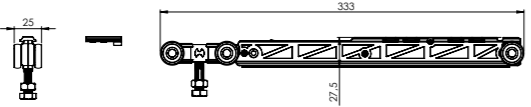
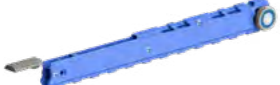
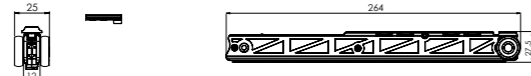

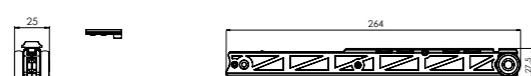
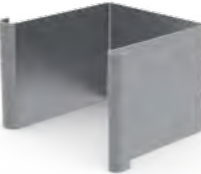
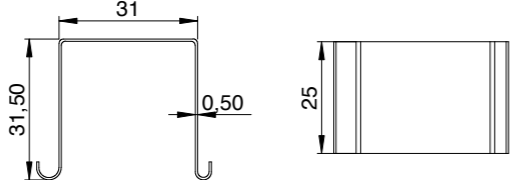

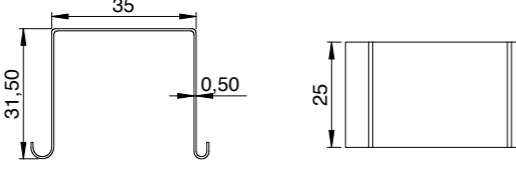

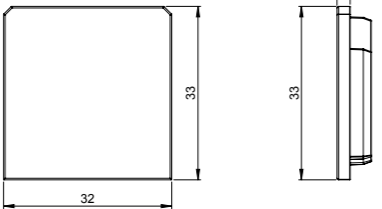

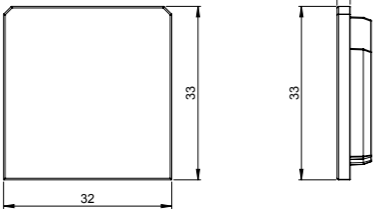
		<b>AO-75</b> HD-polyethylene. Floor fixing. (ø 6 mm) (Capacity 100 kg) 20300
		<b>AOL-10</b> Nylon. Floor fixing. (ø 12 mm) 50319
		<b>AO-10/L</b> Short. Nylon. Wall fixing. (ø 12 mm) 20301
		<b>AO-10/P</b> Long. Nylon. Wall fixing. (ø 12 mm) 20302

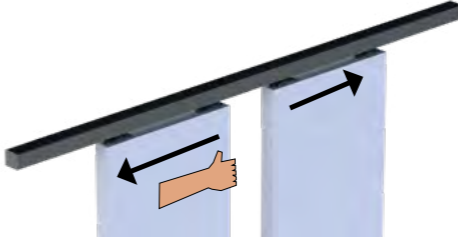


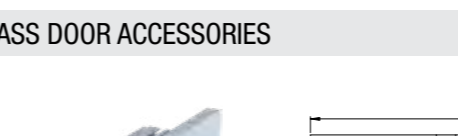


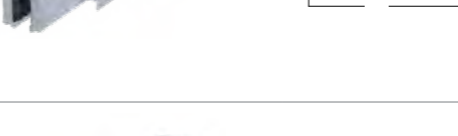


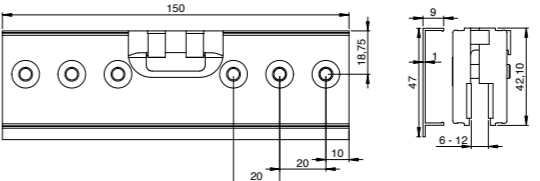

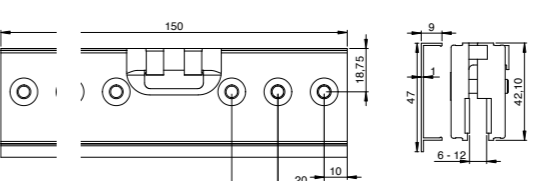

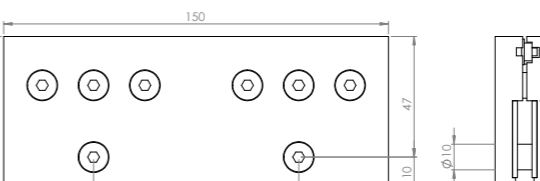

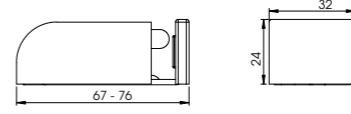
## BOTTOM GUIDES

		<b>AO-6/L</b> Short. Steel. Wall fixing. (ø 6 mm) 20303
		<b>AO-6/P</b> Long. Steel. Wall fixing. (ø 6 mm) 20304
		<b>AOK-10 2m (Al)</b> Bottom guide channel. Usually attach to the bottom of the door. 50309

## ACCESSORIES

		<b>Facing board holder OLP-75</b> Used for fixing cover board. For tracks K-75, K-75 Junior, K-75 Flow, K-100 and K-150. 20109
		<b>Stop KP-75</b> Stops the hanger inside of the track. For tracks K-75, K-75 Flow and K-75 Junior. 20106
		<b>Clip Stop CS-75</b> Stops and keeps the door closed or open. For hangers MP-75 and PP-75. 20118
		<b>Soft Stop SS-75</b> Damp door movement before stopping and keeps the door closed or open. For hangers MP-75 and PP-75. 20119

ACCESSORIES		CODE
		20110
		20113
		20217
		20215
		20216
		20120
		20121
		20285
		20285

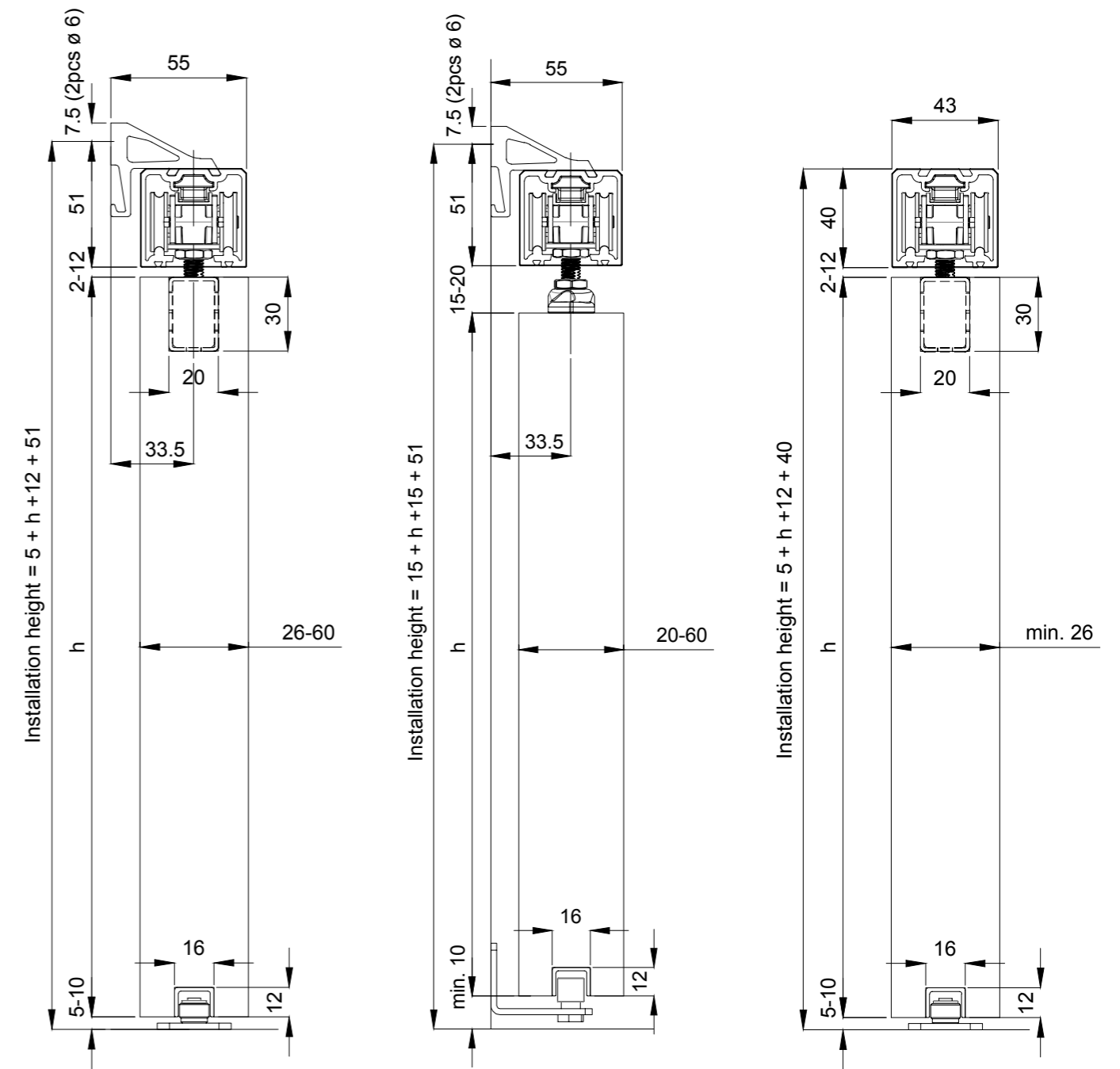
ACCESSORIES		CODE
	<p><b>Syncro duo SD-75</b> For two doors. For simultaneous opening. For track K-75 and K-75 Flow.</p>	20114
	<p><b>Syncro quattro SQ-75</b> For four doors. For simultaneous opening. For track K-75.</p>	20115
	<p><b>Cover plate (straight) + end caps 2,1m.</b> For track K-75 Flow</p>	20250
	<p><b>Cover plate (straight) + end caps 2,4m.</b> For track K-75 Flow</p>	20251
	<p><b>Cover plate (straight) + end caps 3m.</b> For track K-75 Flow</p>	20252
	<p><b>Cover plate (curved) + end caps 2,1m.</b> For track K-75 Flow</p>	20150
	<p><b>Cover plate (curved) + end caps 2,4m.</b> For track K-75 Flow</p>	20151
	<p><b>Cover plate (curved) + end caps 3m.</b> For track K-75 Flow</p>	20152
<b>GLASS DOOR ACCESSORIES</b>		
		<p><b>Glass clamp LP-75/100/A</b> Suitable for glass thicknesses of 6, 8, 10 and 12 mm. For hangers MP-75 and LOP-100. Incl. anodized cover plate, natural. Does not require drilling. (Capacity 120 kg / pair)</p>
		<p><b>Glass clamp LP-75/100/R</b> Suitable for glass thicknesses of 6, 8, 10 and 12 mm. For hangers MP-75 and LOP-100. Incl. anodized cover plate, light brown. Does not require drilling. (Capacity 120 kg / pair)</p>
		<p><b>Glass clamp LP-150</b> With safety pins. Suitable for glass thicknesses of 10 and 12 mm. For hangers MPS-100, MP-150 and MPS-150. (Capacity 200 kg / pair) NOTE! Only suitable only for series 100 and 150.</p>
		<p><b>Bottom guide LAO-75/100/150</b> For glass door. Floor fixing. Adjustable 6 - 25 mm.</p>



# SERIES SAGA 150

■ Apartments and commercial spaces

This series is designed for heavy interior and exterior applications for areas where high corrosion resistance and architectural design are required. Typically this series is used for **residential** and **commercial spaces** like in **showrooms** and **galleries** as well as in luxurious villas on the seaside. The series also includes the popular Soft Close mechanism and a Low-Headroom Plate for a final touch of luxury. Anodized aluminium up to 25 microns and acid-proof stainless steel AISI 316 L quality guarantee corrosion resistance up to maritime conditions.



## Specifications

Weight (max.capacity)	150 kg / door
Door thickness	20-60 mm
Bracket interval (max.)	500 mm
Door width (min) when using 1 soft close	500 mm
Door width (min) when using 2 soft close	750 mm



Hangers with nylon wheels with 440C precision bearings and steel body AISI 316 L-quality.



Galvanized (25 µm) aluminium track, bracket and stop.



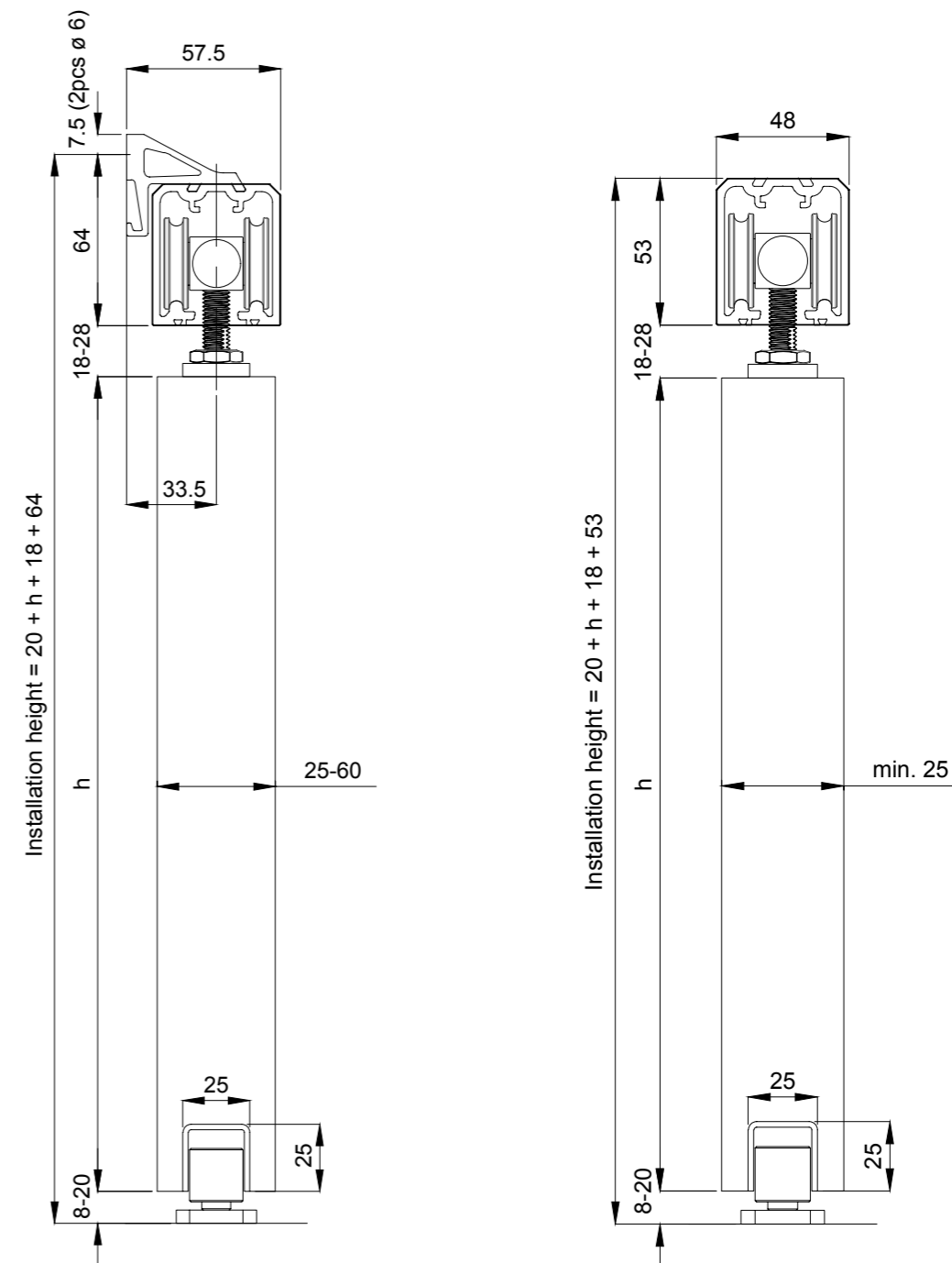
AISI 316 L-quality steel parts.



# SERIES SAGA 300


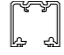
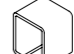
■ Apartments and commercial spaces

This extremely durable series is designed for heavy interior and exterior applications. Typically this series is used in **entrance halls, galleries** and **auditoriums** where durable and stylish sliding systems are required. Due to the series high corrosion resistance and durability for up to 300 kg weight capacity, this series can also be used in **extreme weather conditions**, for example in sliding doors on **seaside villas**. Anodized aluminium up to 25 microns and acid-proof stainless steel AISI 316 L quality guarantee corrosion resistance up to maritime conditions.


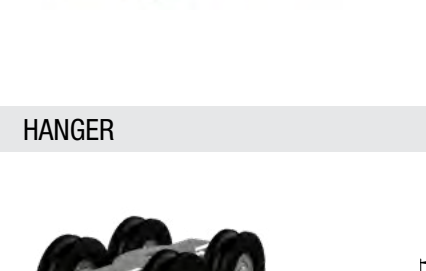





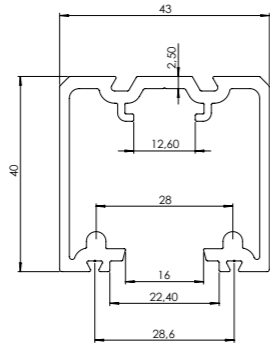
## Specifications

Weight (max.capacity)	300 kg / door
Door thickness	25-60 mm
Bracket interval (max.)	500 mm


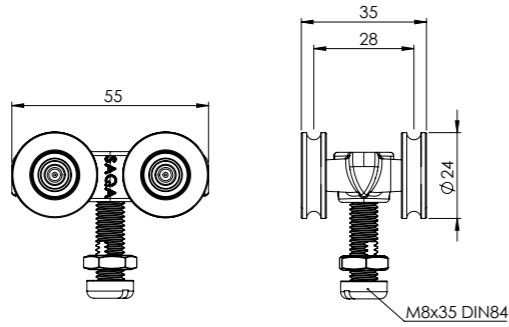
-  Hangers with nylon wheels with 440C precision bearings and steel body AISI 316 L-quality.
-  Galvanized (25 µm) aluminium track, bracket and stop.
-  AISI 316 L-quality steel parts.

## SAGA 150 ANODIZED ALUMINIUM TRACKS


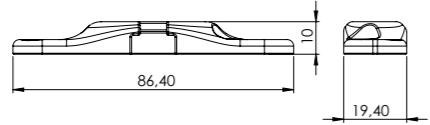

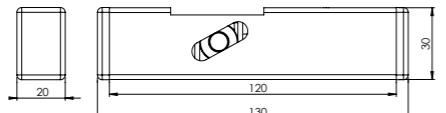
	CODE
	K-150/SAGA 2 m (Al) 10102
	K-150/SAGA 3 m (Al) 10103
	K-150/SAGA 4 m (Al) 10104
	K-150/SAGA 6 m (Al) 10106
	K-150/SAGA 6 m (Al), Black 10116




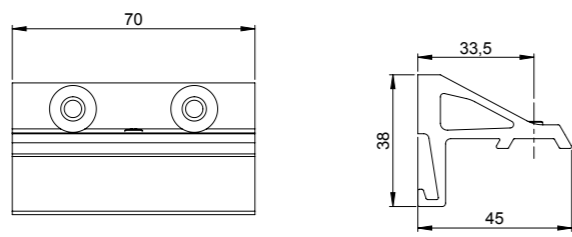


## HANGER

		<p><b>MP-150/SAGA, AISI 316 L</b> Nylon. For track K-150/SAGA. (Capacity 150 kg / pair)</p>	10140
--	--	---	-------


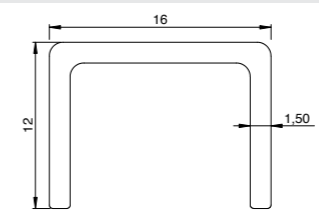

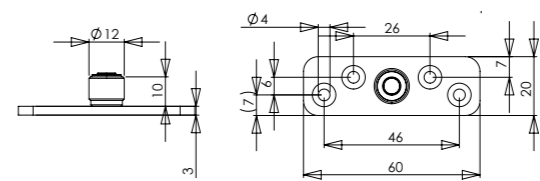

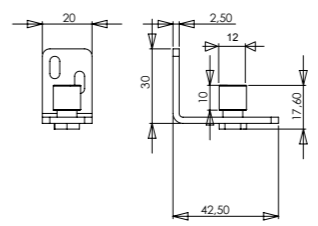

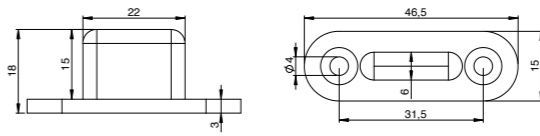
## FIXING PLATES

		<p><b>PLP-150/SAGA, AISI 316 L</b> Top fixing. For timber door. For hangers MP-150/SAGA. (Door thickness min 20 mm)</p>	10150
		<p><b>LHP-150/SAGA, AISI 316 L</b> Low headroom plate. For timber door. For hanger MP-150/SAGA. (Door thickness 26-62 mm) (Plate adjustment: 8 mm) (Capacity 100 kg / pair)</p>	10152


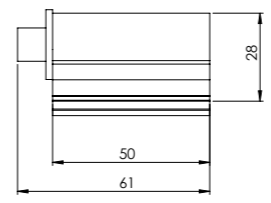

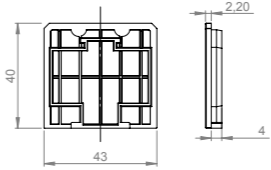

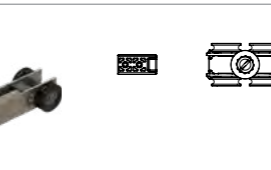

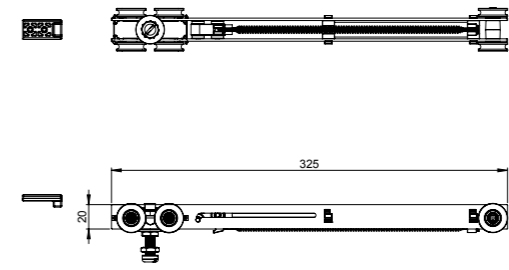
## WALL BRACKET

		<p><b>SK-150/300/SAGA</b> For tracks K-150/SAGA and K-300/SAGA. (Door thickness max. 50 mm)</p>	10270
		<p><b>SK-150/300/SAGA Black</b> For tracks K-150/SAGA and K-300/SAGA. (Door thickness max. 50 mm)</p>	10271


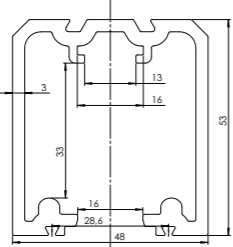
## BOTTOM GUIDES


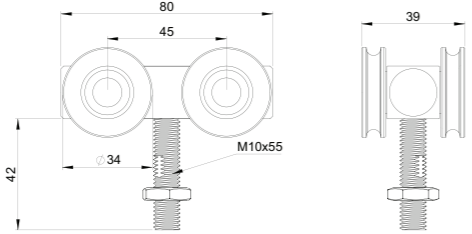
		<p><b>AOK-10 2 m (Al)</b> Bottom guide channel. Usually attach to the bottom of the door.</p>	50309
		<p><b>AOL-10/SAGA, AISI 316 L</b> Floor fixing. (ø 12 mm).</p>	10191
		<p><b>AO-10/SAGA, AISI 316 L</b> Wall fixing. (ø 12 mm).</p>	10192
		<p><b>AOL-150/SAGA</b> Nylon 66. Floor fixing. (ø 6 mm) (Capacity 150 kg)</p>	10193


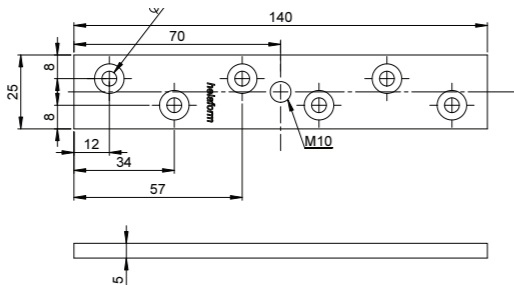
## ACCESSORIES

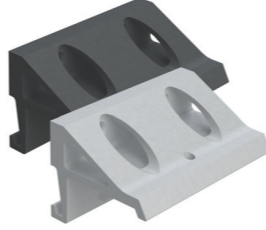
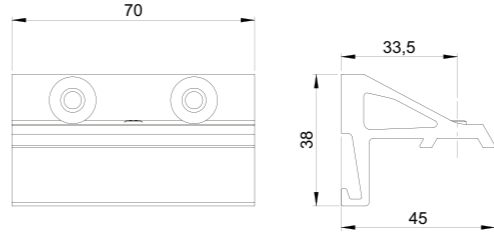
		<p><b>Stop KP-150/300/SAGA</b> Stops the hanger inside the track. For tracks K-150/SAGA and K-300/SAGA.</p>	10180
		<p><b>End cap PLH-150/SAGA</b> Grey. Pair. For track K-150/SAGA.</p>	10185
		<p><b>End cap PLM-150/SAGA</b> Black. Pair. For track K-150/SAGA.</p>	10186
		<p><b>Soft Close with one hanger OHP-150/SAGA</b> Closes the door slowly and smoothly. For track K-150/SAGA. (Capacity 150 kg)</p>	10164


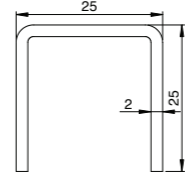
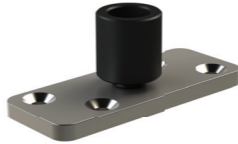
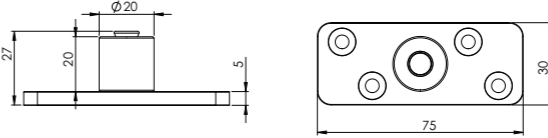
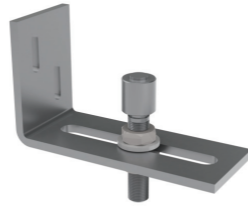
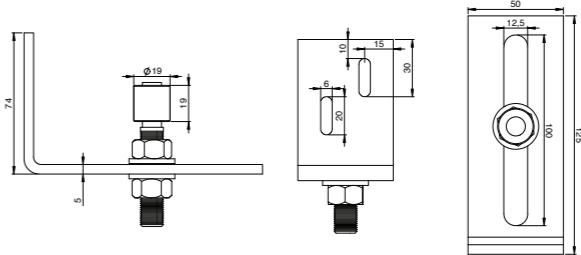
ACCESSORIES		CODE
		<p><b>Syncro duo SDS-150/SAGA/SC1 Preinstalled.</b> Include 1 x Soft close. For two doors. For simultaneous opening. (Capacity 80 kg)</p> <p>10168</p>
		<p><b>Syncro duo SDS-150/SAGA/SC2 Preinstalled.</b> Include 2 x Soft closes. For two doors. For simultaneous opening. (Capacity 80 kg)</p> <p>10169</p>
		<p><b>Syncro duo SD-150/SAGA</b> Does not include track or soft close. For two doors. For simultaneous opening. (Capacity 150 kg)</p> <p>10165</p>

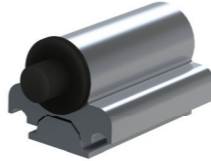
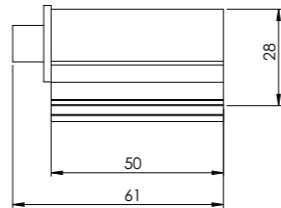

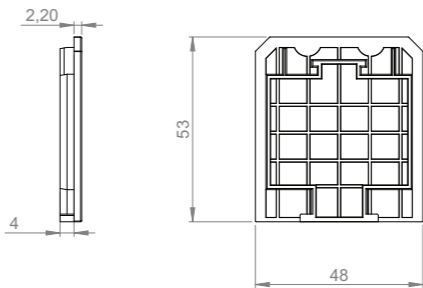
SAGA 300 ANODIZED ALUMINIUM TRACKS		CODE
		<p>K-300/SAGA 2 m (Al)</p> <p>10202</p>
		<p>K-300/SAGA 3 m (Al)</p> <p>10203</p>
		<p>K-300/SAGA 4 m (Al)</p> <p>10204</p>
		<p>K-300/SAGA 6 m (Al)</p> <p>10206</p>

HANGER		CODE
		<p><b>MP-300/SAGA, AISI 316 L</b> Nylon. For track K-300/SAGA. (Capacity 300 kg / pair)</p> <p>10240</p>

FIXING PLATE		CODE
		<p><b>PLP-100/150, M10, AISI 316 L</b> Top fixing. For timber door. For hanger MP-300/SAGA. (Door thickness min 25 mm)</p> <p>40102</p>

WALL BRACKET		CODE
		<p><b>SK-150/300/SAGA</b> For tracks K-150/SAGA and K-300/SAGA. (Door thickness max. 50 mm)</p> <p>10270</p>
		<p><b>SK-150/300/SAGA Black.</b> For tracks K-150/SAGA and K-300/SAGA. (Door thickness max. 50 mm)</p> <p>10271</p>

BOTTOM GUIDES		CODE
		<p><b>AOK 3 m, AISI 316 L</b> Bottom guide channel. Usually attach to the bottom of the door or to the floor.</p> <p>50310</p>
		<p><b>AOL-12/SAGA, AISI 316 L</b> Floor fixing. (ø 19 mm).</p> <p>10190</p>
		<p><b>AO-12, AISI 304</b> ø 19 mm. Seinäkiinnitys.</p> <p>50325</p>

ACCESSORIES		CODE
		<p><b>Stop KP-150/300/SAGA</b> Stops the hanger inside the track. For tracks K-150/SAGA and K-300/SAGA.</p> <p>10180</p>
		<p><b>End cap PLH-300/SAGA</b> Grey. Pair. For track K-300/SAGA.</p> <p>10285</p>
		<p><b>End cap PLM-300/SAGA</b> Black. Pair. For track K-300/SAGA.</p> <p>10286</p>

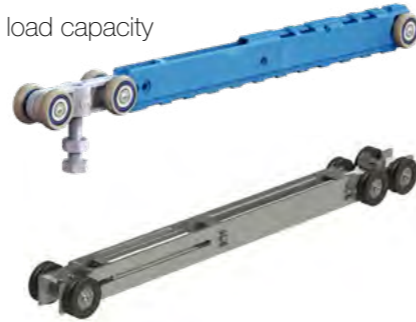


## Soft Close — Silent and effortless opening and closing

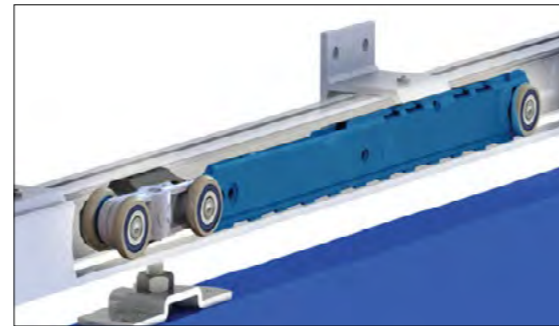
The Soft Close system provides the final touch of luxurious feeling to the complete sliding door set. The system is similar to what we are used to in our kitchens that we love; slowly, silently and gently opening and closing the drawer is now available for sliding doors up to 150 kg.

**The 75 Flow Series** has two Soft Close options: blue for lighter interior doors with a load capacity of 75 kg and black up to 100 kg. Now you can choose a Soft Close to better match the weight of your door. The Soft Close mechanism can be disassembled from the hanger, stored separately, or install it on an existing hanger.

**The Soft Close of the SAGA series** is suitable for interior doors and thanks to its corrosion resistance also for outdoor use. Robust construction and high-quality parts can even soften a 150 kg door's closure.



- Moves the door gently and evenly towards the open or closed position without user assistance
- Mechanism is installed completely inside the track
- Makes the sliding door safer with less risk of accidentally trapped fingers
- Easy to install as it comes already assembled into the hanger but can be installed retrospectively as well



### Available in series:

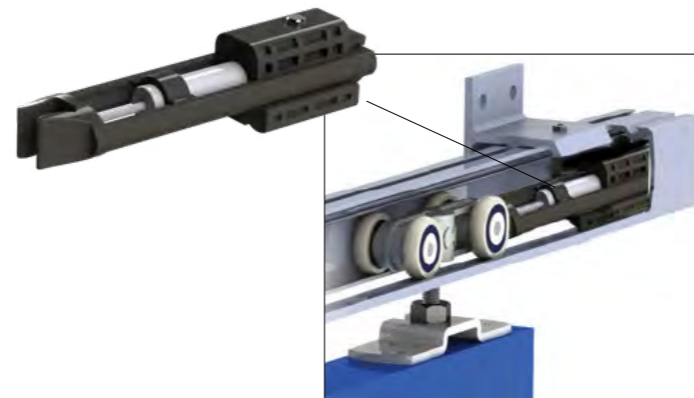
- **75 Flow** (page 36)
- **SAGA 150** (page 56)

## Soft Stop — New generation stop with a damper

This small mechanism provides additional comfort for the sliding door. The Soft Stop has two comfort-enhancing features: the Clip Stop feature, where the “cloves” catch the hanger, preventing the door from bouncing back when closing / opening the door, and a small damping pump that slows the door movement when it comes to a stop. Up to 100 kg doors.

The Soft Stop is easy to install and fits completely inside the sliding track, leaving a finished look for the whole system.

- Stops the door softly and keeps the door open / closed
- Mechanism is installed completely inside the track
- Easy to install



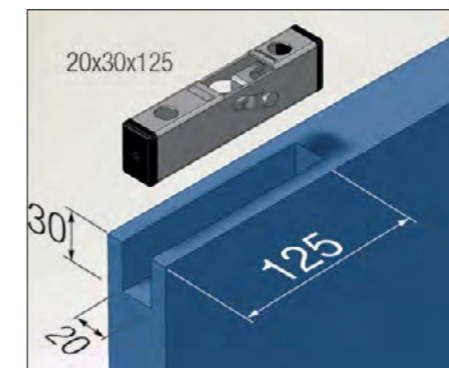
### Available in series:

- **75** (page 32)
- Fits all 75-series sliding tracks (when using MP-75 hanger)

## Low-Headroom Plate (LHP) — For a minimalistic finish

Innovative design for interior wooden doors. Minimalistic finish with all parts concealed without the need for cover plates or pelmets by **reducing the clearance between the track and the top** of the door to a minimum of 2 mm.

- Vertically adjustable plate for up to 100 kg
- Easy to install and adjust the gap between the door and the track
- The plate's small size enables thinner door thickness and less routing to be made
- Compatible with the Soft Close mechanism



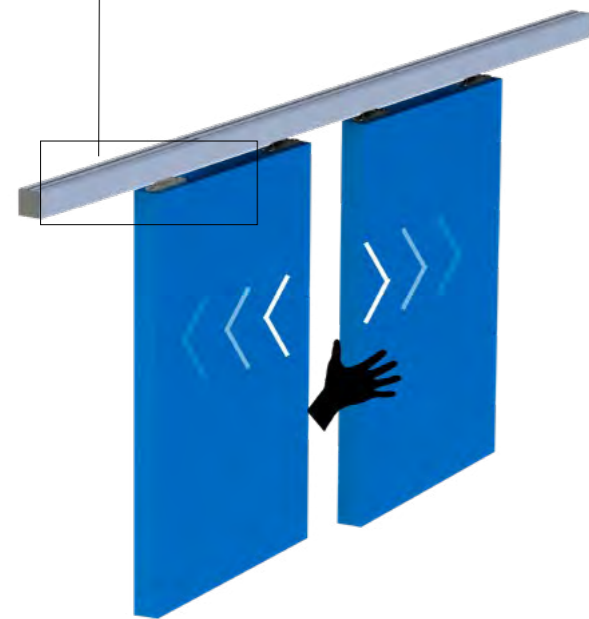
### Available in series:

- **75** (page 32)
- **SAGA 150** (page 56)

## Syncroduo — Moves two doors at the same time

The **Syncroduo system**, where a pair of sliding doors, hanging on one track, are connected to each other so that both doors open simultaneously by moving just one leaf. The Syncroduo system fits completely inside of the sliding track. Also available with Soft Close.

- You can quickly open a larger doorway
- Mechanism is installed completely inside the track
- No extra mountings needed on the door or the frame
- Also available in pre-installed



Available in series:

- 75 (page 32)
- SAGA 150 (page 56)



## Colour options — Pick the right colour for you

The SAGA series is designed so that the sliding track acts already as a design element. By anodizing or powder coating the track, the combined options with the door are limitless. We offer from stock natural anodized and black anodized colours. Other colours are custom made.



Available in series:

- SAGA 150 (page 56)



## > SERIES RETRÖ

■ Apartments and commercial spaces

The Retrö sliding door system, combined with your stylish door, creates a focal point and adds to the look of your home. This system is a complete kit, available in two sizes: 2 and 2.4 metres. It is also possible to extend the track with a track joint, so even a larger doorway can be covered with this design package. In addition, the two doors can move in parallel with the use of double tracks and double wall brackets. The package also includes Soft Close for added comfort and safety.

### Specifications

Door weight (max.)	80 kg - 150 kg /door
Door thickness	35-45 mm



### FITTINGS SETS



1 x sliding track

5 x wall bracket

2 x stop

2 x hanger

2 x soft close

1 x bottom guide

**Fittings set with track Retrö 2 m**  
For one door  
(Door wight max. 1000 mm)  
(Door thickness max. 45 mm)

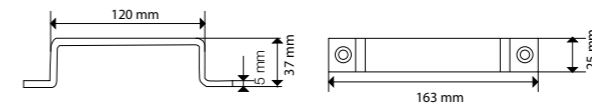
CODE

11700

**Fittings set with track Retrö 2,4 m**  
For one door  
(Door wight max. 1s00 mm)  
(Door thickness max. 45 mm)

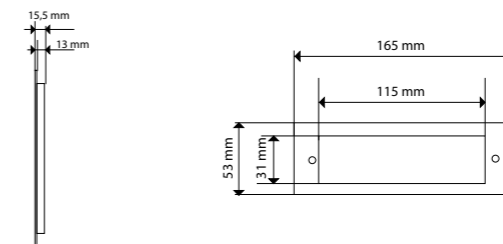
11701

### ACCESSORIES



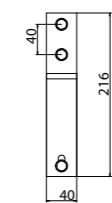
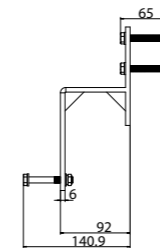
**Handle LVM-150/Retrö, black**  
Fixing on the door surface.  
(Material: Metal, powder-coated )

11720



**Flush handle UVM-150/Retrö, black**  
Fixing in the door.  
(Material: Metal, powder-coated )

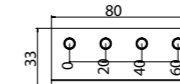
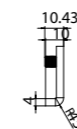
11721



**Double wall bracket SKL/2-150/Retrö, joint**  
Allows parallel movement of two doors in the opening.

Double wall brackets are needed as much as wall brackets.

11775



**Track joint LKU-150/Retrö**  
Allows seamless connection and extension of sliding tracks.

11790

## SLIDING DOOR SYSTEMS

Industry and agriculture

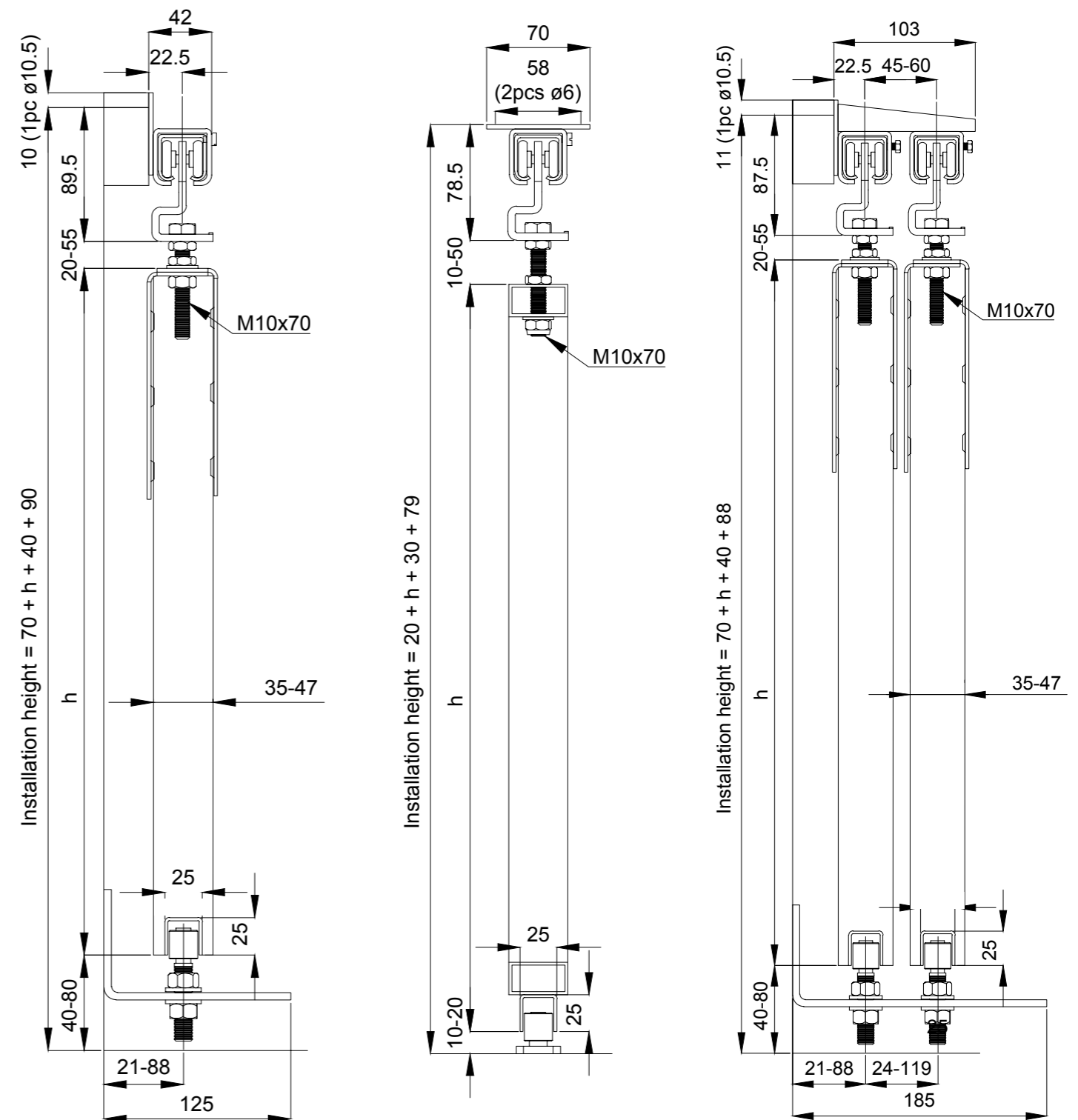




# SERIES 100


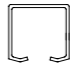
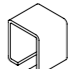
Industry and agriculture


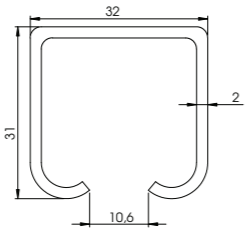
The series 100 is one of the most versatile Helaform series. It offers solutions for straight sliding doors and industrial curtains, but also for special applications such as conveyor systems, cable trolleys and watering systems. Typical door installations include external doors for **storage facilities** and **agricultural buildings**, but also **medium-weight interior partitions, sliding screens and grills**.


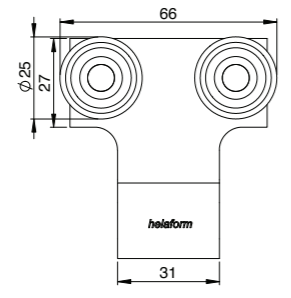
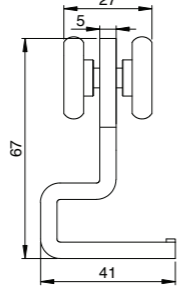

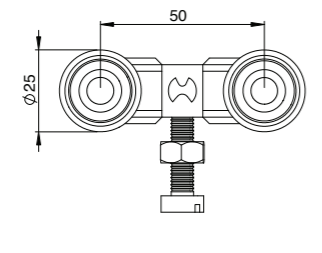
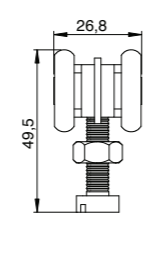



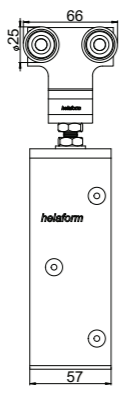
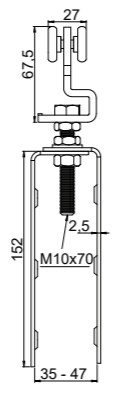
## Specifications


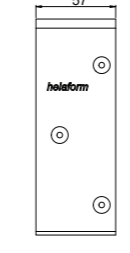
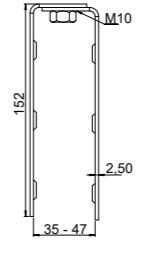

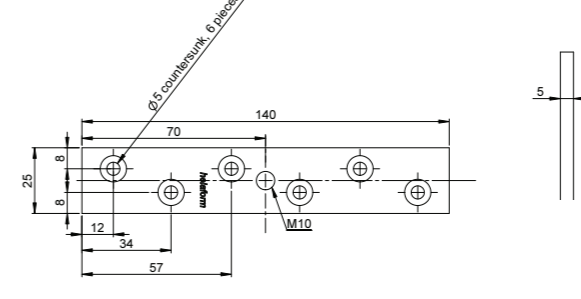

Weight (max. capacity)	120 kg / door
Bracket interval (max.)	1000 mm


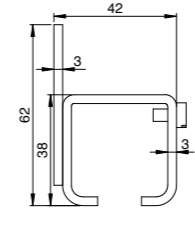
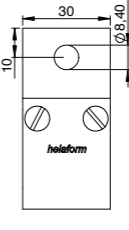
-  Hangers with nylon and steel wheels. Lubricated for life bearings.
-  Hot dipped galvanized steel track (min. 20  $\mu\text{m}$ ).
-  Zinc plated (min. 8  $\mu\text{m}$ ) steel parts. Tested in salt water spray chamber (240 h).

GALVANIZED STEEL TRACKS		CODE	
		K-100 2 m	30017
		K-100 3 m	30013
		K-100 4 m	30014
		K-100 6 m	30016

HANGERS		CODE		
			MPS-100/nylon For track K-100. (Capacity 120 kg / pair)	30040
			MPS-100/steel For track K-100. (Capacity 120 kg / pair)	30042
			LOP-100 /nylon For track K-100. (Capacity 120 kg / pair)	60106

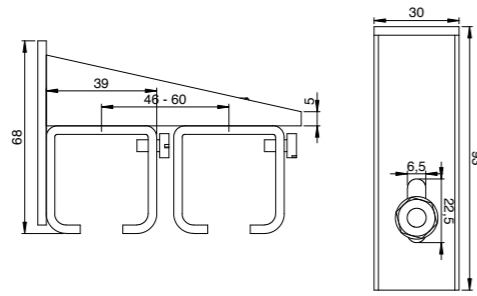
HANGERS WITH FIXING PLATES		CODE		
			PPS-100/nylon For track K-100. (Capacity 120 kg / pair) (Door thickness 35-47 mm)	30041
			PPS-100/steel For track K-100. (Capacity 120 kg / pair) (Door thickness 35-47 mm)	30043

FIXING PLATES		CODE		
			PLS-100/150 Side fixing. For timber door. For hangers MPS-100, MP-150 and MPS-150. (Door thickness 35-47 mm)	40100
			PLS-100/150/E Side fixing. Adjustable. For timber door. For hangers MPS-100, MP-150 and MPS-150. (Door thickness 35-47 mm)	40101
			PLP-100/150, M10 Top fixing. For timber door. For hangers MPS-100, MP-150 and MPS-150. (Door thickness min. 25 mm)	40103

WALL BRACKETS		CODE		
			SKL-100 Joint bracket. For track K-100. (Door thickness max. 40 mm)	30070
			SKL-100 Joint bracket, adjustable. For track K-100. (Door thickness max 40 mm)	30086

## WALL BRACKETS

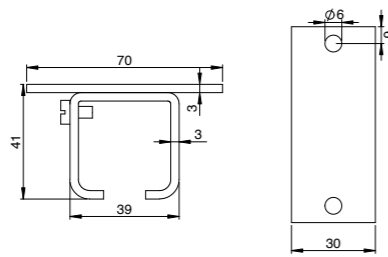
## CODE



**SKL/2-100**  
Joint bracket.  
For double track.  
For track K-100.  
(Door thickness max 40 mm)

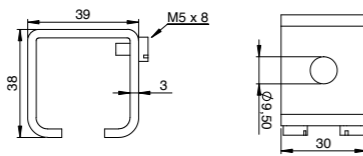
30071

## SOFFIT BRACKETS



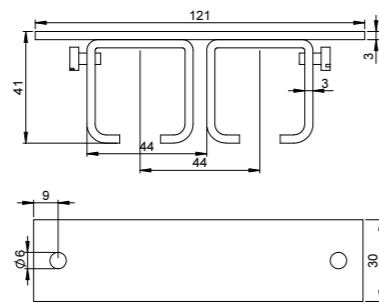
**KKKL-100**  
Joint bracket.  
For track K-100.

30080



**KKL-100**  
Joint bracket.  
For track K-100.

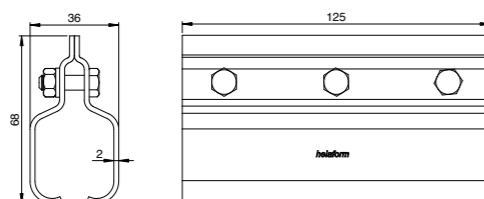
30083



**KKKL/2-100**  
Joint bracket.  
For double track.  
For track K-100.  
(Door thickness max. 40 mm)

30085

## TRACK JOINTS

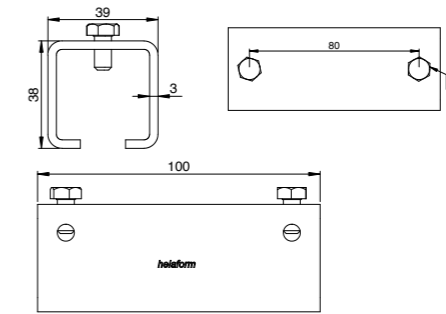


**LK-100**  
Dismountable jointing sleeve.  
For track K-100.  
Not suitable for track with  
soffit mounting.

30090

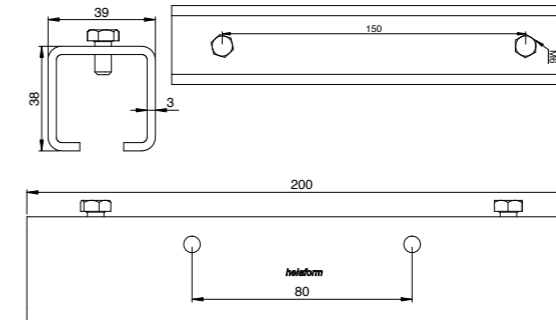
## TRACK JOINTS

## CODE



**LKU-100/100 mm**  
For track K-100.

30091



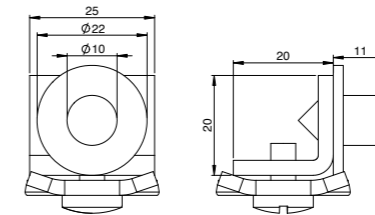
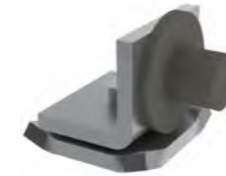
**LKU-100/200 mm**  
For track K-100.

30092

**LKU-100/200 mm, for welding**  
For track K-100.

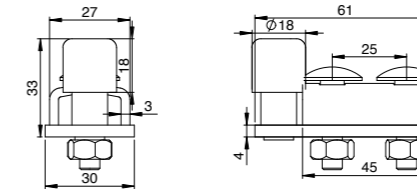
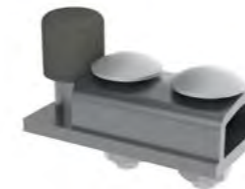
30094

## ACCESSORIES



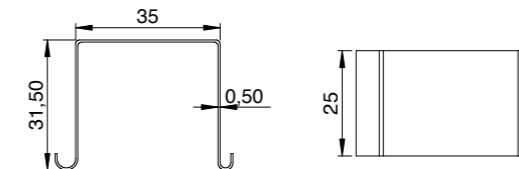
**Stop KP-75/100**  
Stops the hanger inside the track.  
For tracks K-75, K-75 P, K-75 Flow, K-75 Junior and K-100.

20110



**Stop KP-100/150**  
Stops the hanger inside the track.  
For tracks K-100 and K-150.

40110



**End clip PK-75 Junior/100**  
Prevents lateral movement of the track.  
For tracks K-75 Junior and K-100.

20121

**BOTTOM GUIDE OPTIONS ARE PRESENTED ON PAGE 98.**

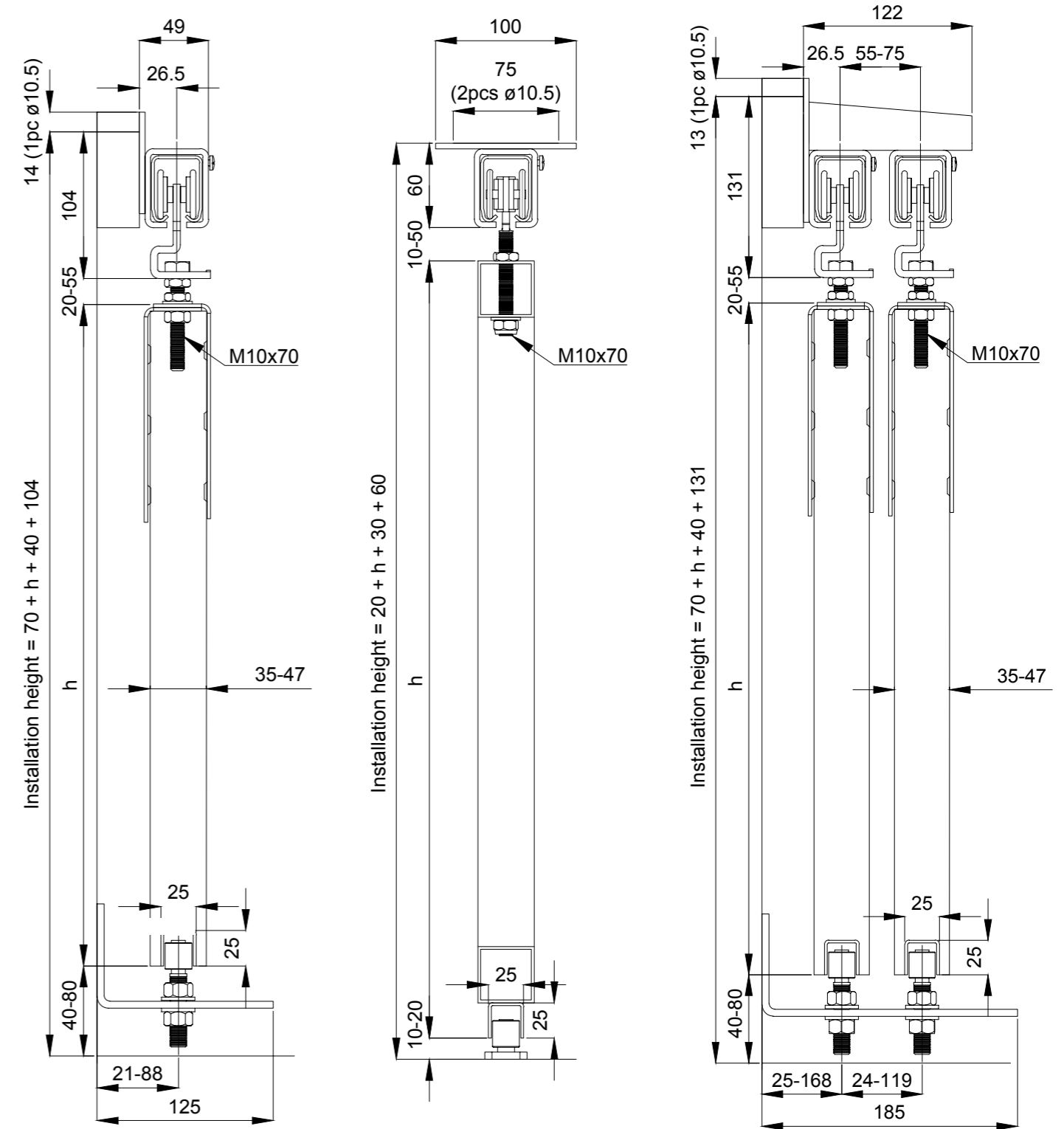
NOTE! Bottom guides must be used with door installations.



# SERIES 150

Industry and agriculture

The 150 series is perfect for medium-weight installations thanks to its maximum capacity of 200 kg. Principal uses are **sliding screens and grills, overhead runways, horse boxes, agricultural buildings, storage systems, the shipbuilding industry**, for both interior and exterior medium-weight projects.



## Specifications

Weight (max. capacity)	200 kg / door
Bracket interval (max.)	1000 mm


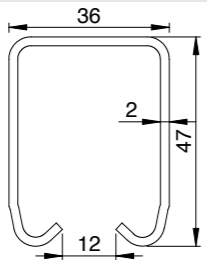
- Hangers with steel wheels. Lubricated for life bearings. Aluminium- or steel body.
- Hot dipped galvanized steel track (min. 20  $\mu\text{m}$ ).
- Zinc plated (min. 8  $\mu\text{m}$ ) steel parts. Tested in salt water spray chamber (240 h).




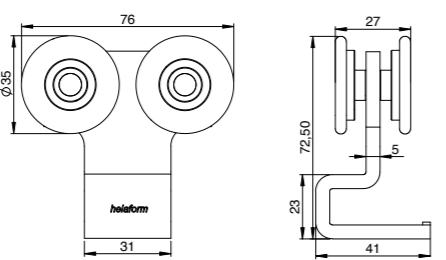

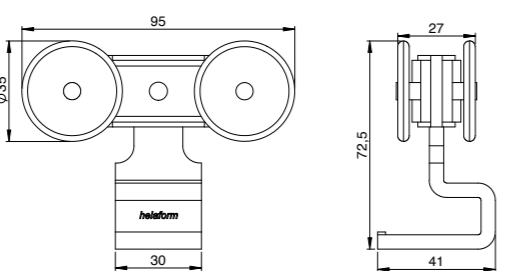

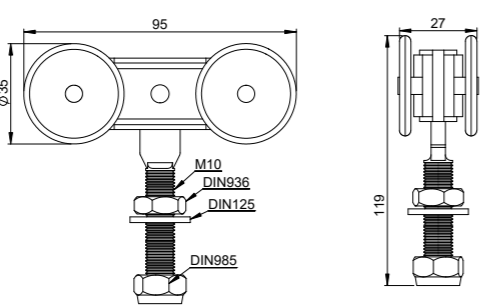
## FITTINGS SETS CODE

 <p><b>Assembly set 150</b></p> <p>2 x hanger MPS-150/steel 2 x plate PLS-100/150 4 x wall bracket SKL-150 2 x stop KP-100/150 1 x bottom guide AO-22 2 x end clip PK-150</p>	<p>No track included. (buy K-150 3 m track separately)</p>	<p>40200</p>
--	--	--------------


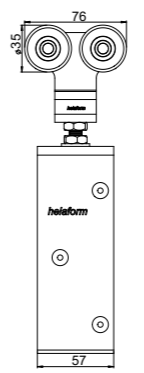
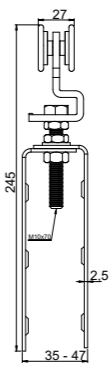

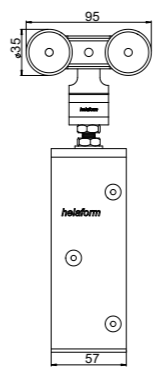
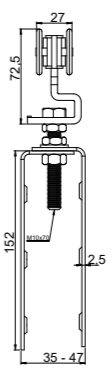
## GALVANIZED STEEL TRACKS

	 <p>36 2 47 12</p>	K-150 2 m	40012
		K-150 3 m	40013
		K-150 4 m	40014
		K-150 5 m	40015
		K-150 6 m	40016


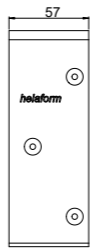
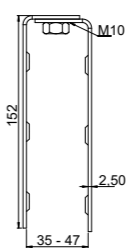
## HANGERS

	 <p>76 Ø35 27 72.50 5 23 31</p>	MPS-150/steel For track K-150. (Capacity 200 kg / pair)	40040
		MPS-150/nylon For track K-150. (Capacity 200 kg / pair)	40048
	 <p>95 Ø35 27 72.5 41 30</p>	MPS-150/Al/steel For track K-150. (Capacity 200 kg / pair)	40042
		MPS-150/Al/nylon For track K-150. (Capacity 200 kg / pair)	40053
	 <p>95 Ø35 27 119 M10 DIN936 DIN125 DIN985</p>	MP-150/Al/steel For track K-150. (Capacity 200 kg / pair)	40044
		MP-150/Al/nylon For track K-150. (Capacity 200 kg / pair)	40054

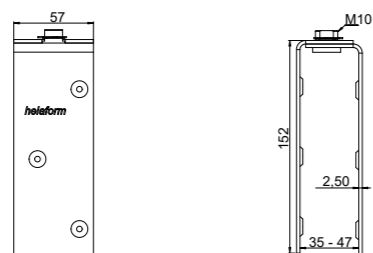
## HANGERS WITH FIXING PLATES CODE

	 <p>76 Ø35 57</p>	 <p>27 245 2.5 35 - 47</p>	PPS-150/steel For track K-150. (Capacity 200 kg / pair) (Door thickness 35-47 mm)	40041
			PPS-150/nylon For track K-150. (Capacity 200 kg / pair) (Door thickness 35-47 mm)	40046
	 <p>95 Ø35 57</p>	 <p>27 72.5 2.5 35 - 47</p>	PPS-150/Al/steel For track K-150. (Capacity 200 kg / pair) (Door thickness 35-47 mm)	40043
			PP-150/Al/steel For track K-150. (Capacity 200 kg / pair) (Door thickness 35-47 mm)	40045

## FIXING PLATES

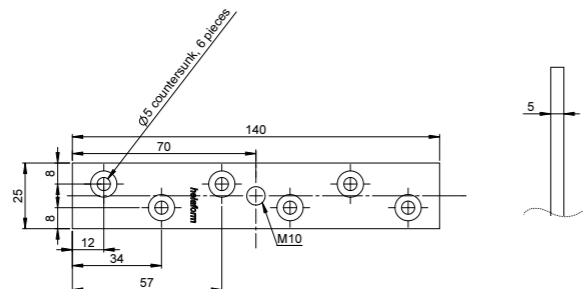
	 <p>57 heleform</p>	 <p>M10 152 2.50 35 - 47</p>	PLS-100/150 Side fixing. For timber door. For hangers MPS-100, MP-150 and MPS-150. (Door thickness 35-47 mm)	40100
---	--	---	---	-------

## FIXING PLATES



**PLS-100/150/E**  
Side fixing.  
Adjustable.  
For timber door.  
For hangers MPS-100,  
MP-150 and MPS-150.  
(Door thickness 35-47mm)

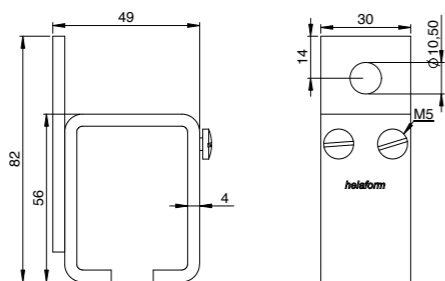
40101



**PLP-100/150, M10**  
Top fixing.  
For timber door.  
For hangers MPS-100,  
MP-150 and MPS-150.  
(Door thickness min. 25 mm)

40103

## WALL BRACKETS



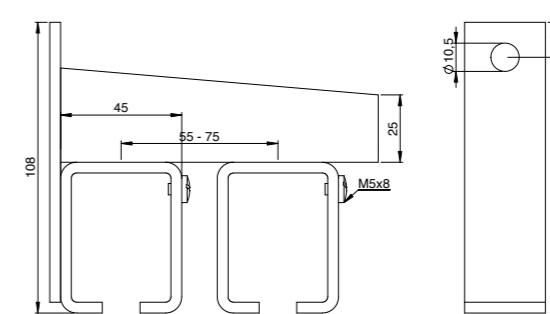
**SK-150**  
For track K-150.  
*Note! Without joint screws.*  
(Door thickness max. 45 mm)

40070

**SKL-150**  
Joint bracket.  
For track K-150.  
(Door thickness max. 45 mm)

40071

## WALL BRACKETS



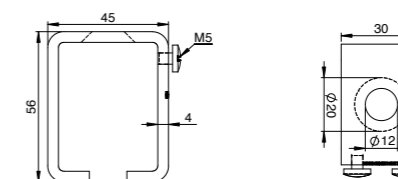
**SK/2-150**  
For double track.  
For track K-150.  
*Note! Without joint screws.*  
(Door thickness max. 45 mm)

40074

**SKL/2-150**  
Joint bracket.  
For double track.  
For track K-150.  
(Door thickness max. 45 mm)

40075

## SOFFIT BRACKETS



**KK-150**  
For track K-150.  
*Note! Without joint screws.*

40080

**KK-150, for welding**  
For track K-150.  
*Note! Without joint screws.*

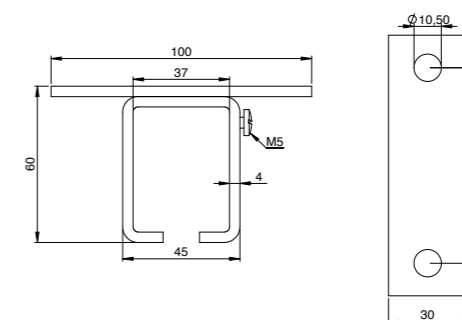
40082

**KKL-150**  
Joint bracket.  
For track K-150.

40081

**KKL-150, for welding**  
Joint bracket.  
For track K-150.

40083



**KKL-150**  
For track K-150.  
*Note! Without joint screws.*

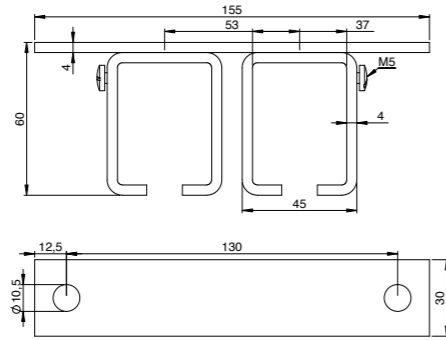
40084

**KKKL-150**  
Joint bracket.  
For track K-150.

40085

## SOFFIT BRACKETS

## CODE



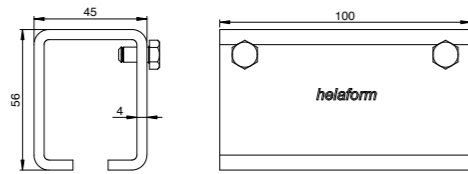
**KKK/2-150**  
For double track.  
For track K-150.  
*Note! Without joint screws.*  
(Door thickness max 45 mm)

40086

**KKKL/2-150**  
Joint bracket.  
For double track.  
For track K-150.  
(Door thickness max 45 mm)

40087

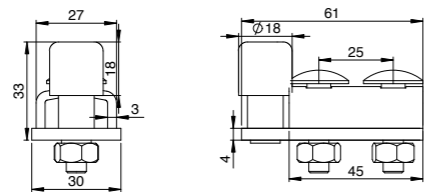
## TRACK JOINT



**LKU-150/100 mm**  
For track K-150.

40090

## ACCESSORIES

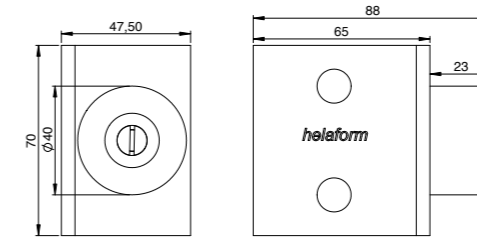


**Stop KP-100/150**  
Stops the hanger inside the track.  
For track K-100 and K-150.

40110

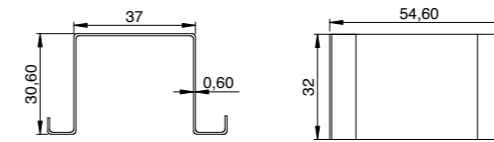
## ACCESSORIES

## CODE



**Stop P**  
Wall stop.  
Stops the door.  
For tracks K-150, K-300, K-500 and K-2000.

50111



**End clip PK-150**  
Prevents lateral movement of the track.  
For track K-150.

40120

**BOTTOM GUIDE OPTIONS ARE PRESENTED ON PAGE 98.**

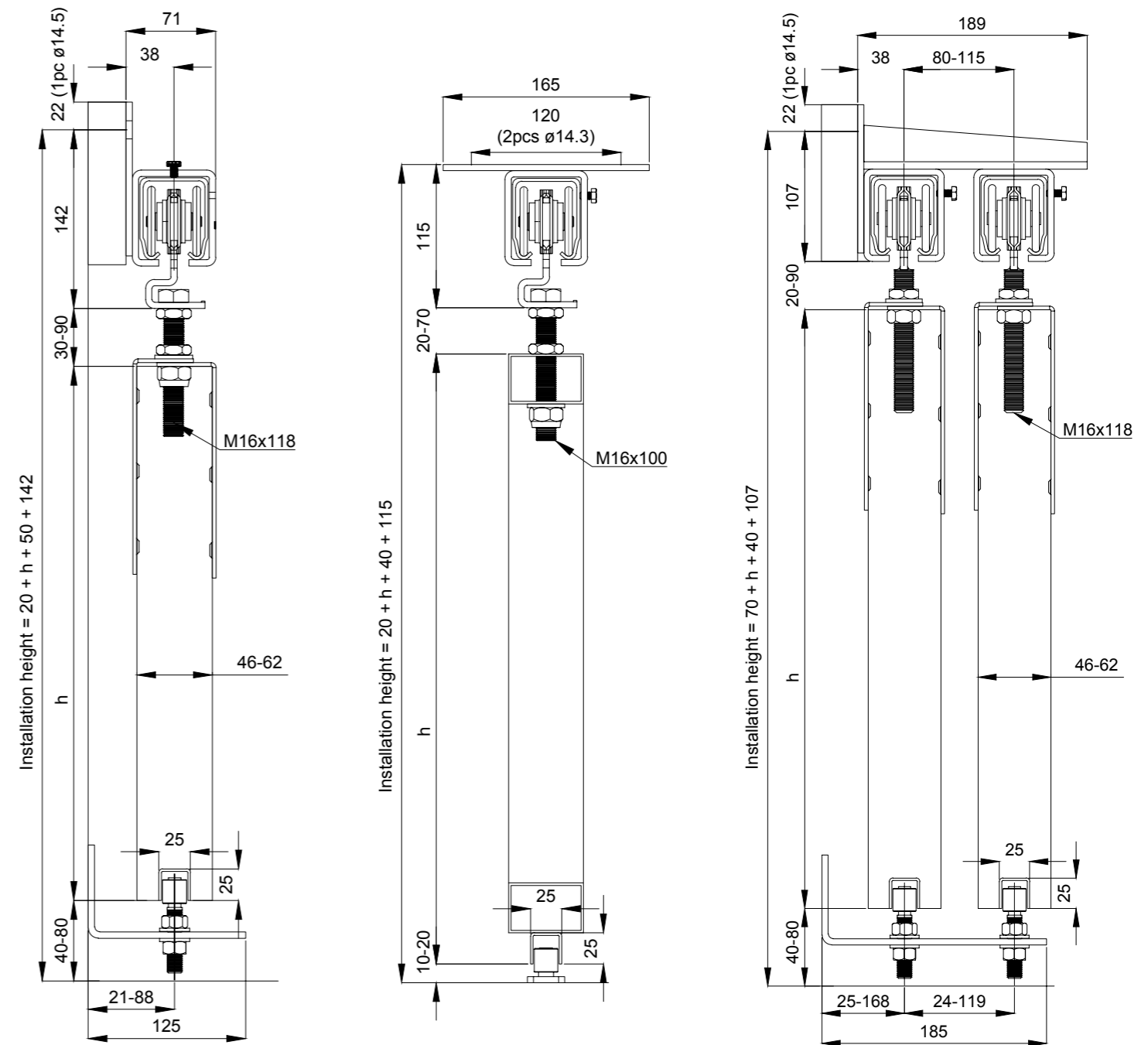
NOTE! Bottom guides must be used with door installations.



# SERIES 300/500

Industry and agriculture



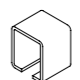
Series 300/500 is a durable and versatile system for heavy-duty industrial and logistic centre sliding doors and applications. This series is typically used in **industrial buildings** and **storage complexes**, as well as in interior solutions such as **fire doors**. These products can also be used in sliding door applications such as **conveyor systems** and **art-museum storage solutions**. The track determines the maximum weight capacity per door, so by changing the track you can easily increase the loading capacity, track K-300 is up to 300 kg and track K-500 is up to 500 kg (up to 1,200 kg with MPT-600 hanger).



## Specifications

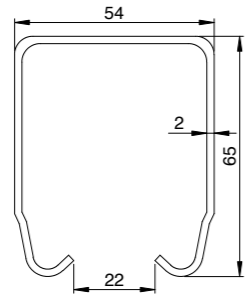
	300-series	500-series	500-series*
Weight (max.)	300 kg /door	500 kg /door	1200 kg /door
Bracket interval (max.)	1000 mm	1000 mm	500 mm

\* Use hanger MPT-600 to achieve 1200 kg max. weight capacity.

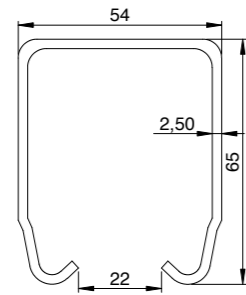
-  Hangers with steel wheels. Lubricated for life bearings.
-  Hot dipped galvanized steel track (min. 20 µm).
-  Zinc plated (min. 8 µm) steel parts. Tested in salt water spray chamber (240 h).

Note! The track determines the load capacity of the system per door, ie by changing the track you can easily increase the weight capacity of the system.

## GALVANIZED STEEL TRACKS

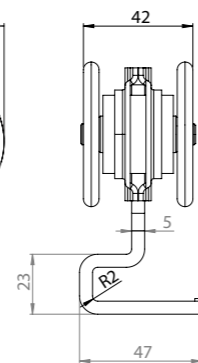
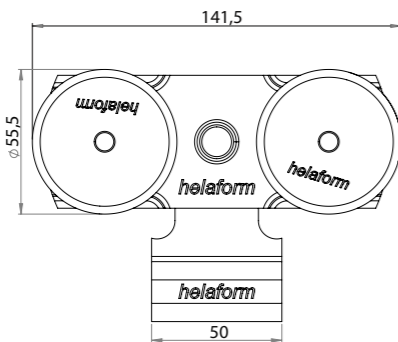


Model	Code
K-300 2 m	50012
K-300 3 m	50013
K-300 4 m	50014
K-300 5 m	50015
K-300 6 m	50016

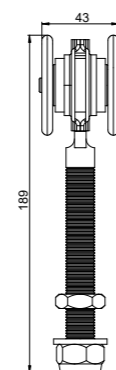
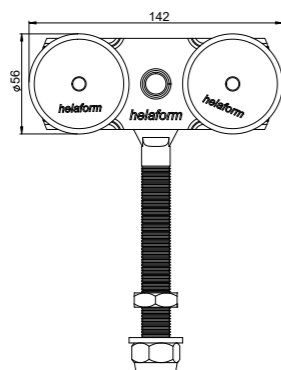


K-500 2 m	50022
K-500 3 m	50023
K-500 4 m	50024
K-500 5 m	50025
K-500 6 m	50026

## HANGERS

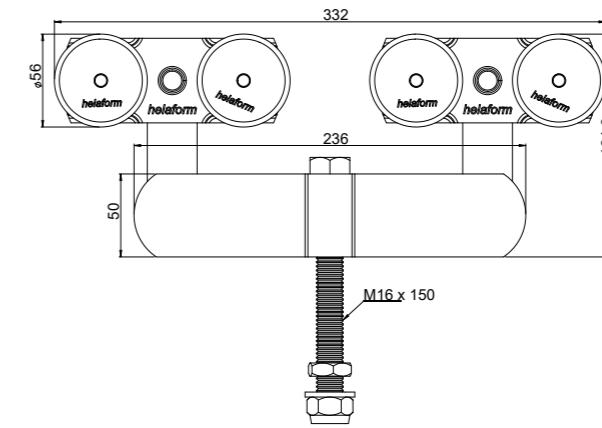


<b>MPS-300/500/steel</b> For tracks K-300 and K-500. (Capacity 300 kg / pair or 500 kg / pair)	50040
<b>MPS-300/500/nylon</b> For tracks K-300 and K-500. (Capacity 300 kg / pair or 500 kg / pair)	50058
<b>MPS-300/500H/steel</b> Heat resistance 300°C. For tracks K-300 and K-500. (Capacity 300 kg / pair or 500 kg / pair)	50054



<b>MP-300/500/steel</b> For tracks K-300 and K-500. (Capacity 300 kg / pair or 500 kg / pair)	50044
<b>MP-300/500/steel/200 mm</b> For tracks K-300 and K-500. (Capacity 300 kg / pair or 500 kg / pair)	50050
<b>MP-300/500/nylon</b> For tracks K-300 and K-500. (Capacity 300 kg / pair or 500 kg / pair)	50057

## HANGERS

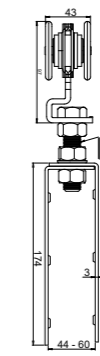
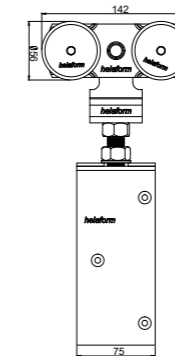


**MPT-600/steel**  
For track K-500.  
(Capacity 1200 kg / pair)

## CODE

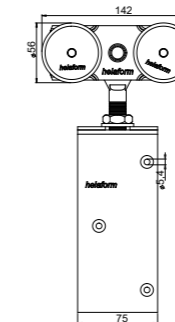
50055

## HANGERS WITH FIXING PLATES



**PPS-300/500/steel**  
For tracks K-300 and K-500.  
(Capacity 300 kg / pair or 500 kg / pair)  
(Door thickness 44-60 mm)

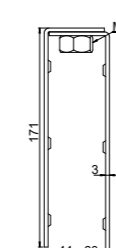
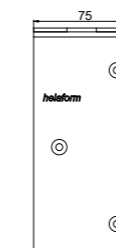
50041



**PP-300/500/steel**  
For tracks K-300 and K-500.  
(Capacity 300 kg / pair or 500 kg / pair)  
(Door thickness 44-60 mm)

50045

## FIXING PLATES

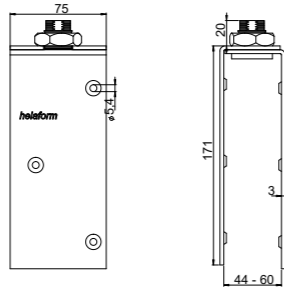


**PLS-300/500**  
Side fixing.  
For timber door.  
For hangers MPS-300/500  
and MP-300/500.  
(Door thickness 44-60 mm)

50100

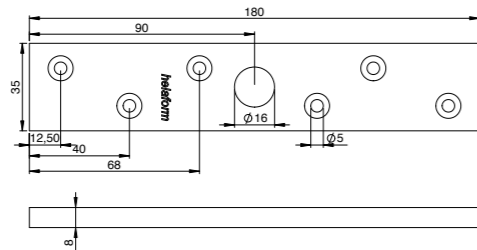
## FIXING PLATES

## CODE



**PLS-300/500/E**  
Side fixing.  
Adjustable  
For timber door.  
For hanger MP-300/500 and  
MPS-300/500  
(Door thickness 44-60 mm)

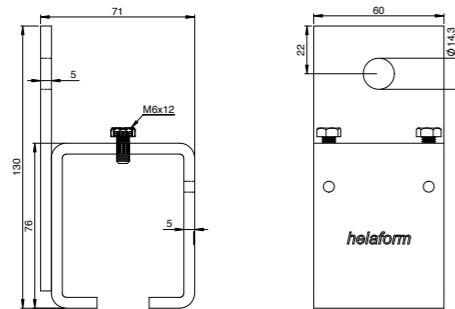
50101



**PLP-300/500, M16**  
Top fixing.  
For timber door.  
For hangers MPS-300/500  
and MP-300/500.  
(Door thickness min 35 mm)

50102

## WALL BRACKETS

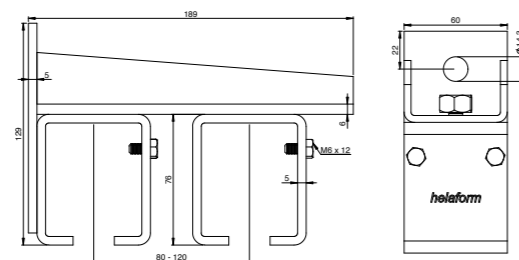


**SK-300/500**  
For tracks K-300 and K-500.  
*Note! Without joint screws.*  
(Door thickness max. 70 mm)

50070

**SKL-300/500**  
Joint bracket.  
For tracks K-300 and K-500.  
(Door thickness max. 70 mm)

50071



**SK/2-300/500**  
For double track.  
For tracks K-300 and K-500.  
*Note! Without joint screws.*  
(Door thickness max. 70 mm)

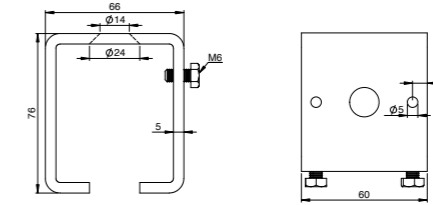
50074

**SKL/2-300/500**  
Joint bracket.  
For double track.  
For tracks K-300 and K-500.  
(Door thickness max. 70 mm)

50075

## SOFFIT BRACKETS

## CODE



**KK-300/500**  
For tracks K-300 and K-500.  
*Note! Without joint screws.*

50080

**KK-300/500, for welding**  
For tracks K-300 and K-500.  
*Note! Without joint screws.*

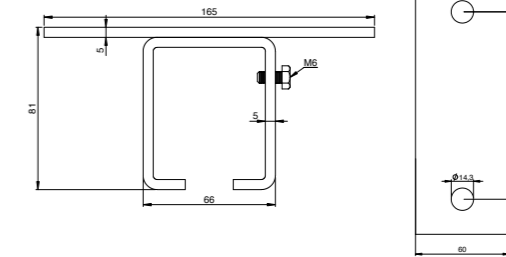
50082

**KKL-300/500**  
Joint bracket.  
For tracks K-300 and K-500.

50081

**KKL-300/500, for welding**  
Joint bracket.  
For tracks K-300 and K-500.

50083

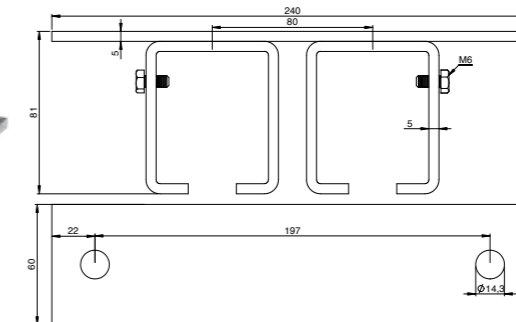


**KKP-300/500**  
For tracks K-300 and K-500.  
*Note! Without joint screws.*

50084

**KKKL-300/500**  
Joint bracket.  
For tracks K-300 and K-500.

50085




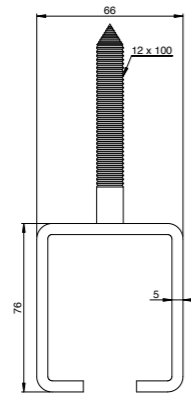
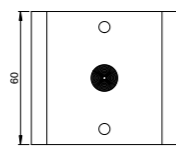

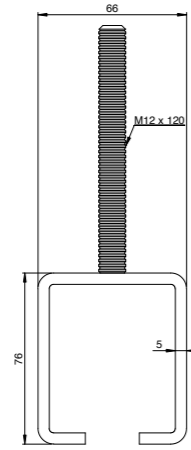
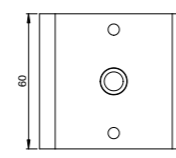

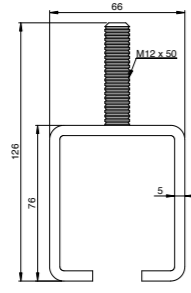
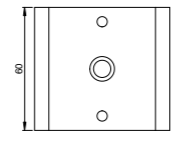
**KKK/2-300/500**  
For double track.  
For tracks K-300 and K-500.  
*Note! Without joint screws.*  
(Door thickness max. 70 mm)

50086


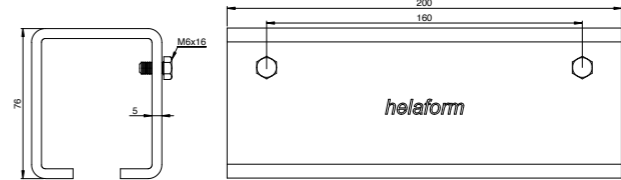
**KKKL/2-300/500**  
Joint bracket.  
For double track.  
For tracks K-300 and K-500.  
(Door thickness max. 70 mm)

50087


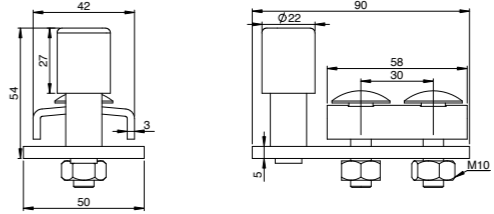

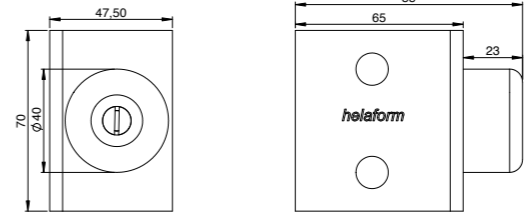

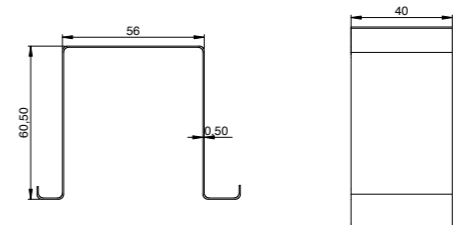
## SOFFIT BRACKETS

			CODE
			50088
			50089
		<b>KK-300/500/12 x 100</b> With timber screw. For tracks K-300 and K-500. <i>Note! Without joint screws.</i>	
		<b>KKL-300/500/12 x 100</b> Joint bracket. With timber screw. For tracks K-300 and K-500.	
			50090
			50098
		<b>KK-300/500/M12 x 120</b> With bolt. For tracks K-300 and K-500. <i>Note! Without joint screws.</i>	
		<b>KKL-300/500/M12 x 120, for welding</b> Joint bracket. With bolt. For tracks K-300 and K-500.	
		<b>KKL-300/500/M12 x 120</b> Joint bracket. With bolt. For tracks K-300 and K-500.	50091
			50099
			50103
		<b>KK-300/500/M12 x 50</b> With bolt. For tracks K-300 and K-500. <i>Note! Without joint screws.</i>	
		<b>KKL-300/500/M12 x 50</b> Joint bracket. With bolt. For tracks K-300 and K-500.	

## TRACK JOINTS

			CODE
			50092
		<b>LKU-300/500/200 mm</b> For tracks K-300 and K-500.	
		<b>LKU-300/500/200 mm, for welding</b> For tracks K-300 and K-500.	50104

## ACCESSORIES

			50110
		<b>Stop KP-300/500</b> Stops the hanger inside the track. For tracks K-300 and K-500.	
			50111
		<b>Stop P</b> Wall stop. Stops the door. For tracks K-150, K-300, K-500 and K-2000.	
			50120
		<b>End clip PK-300/500</b> Prevents lateral movement of the track. For tracks K-300 and K-500.	

**BOTTOM GUIDE OPTIONS ARE PRESENTED ON PAGE 98.**

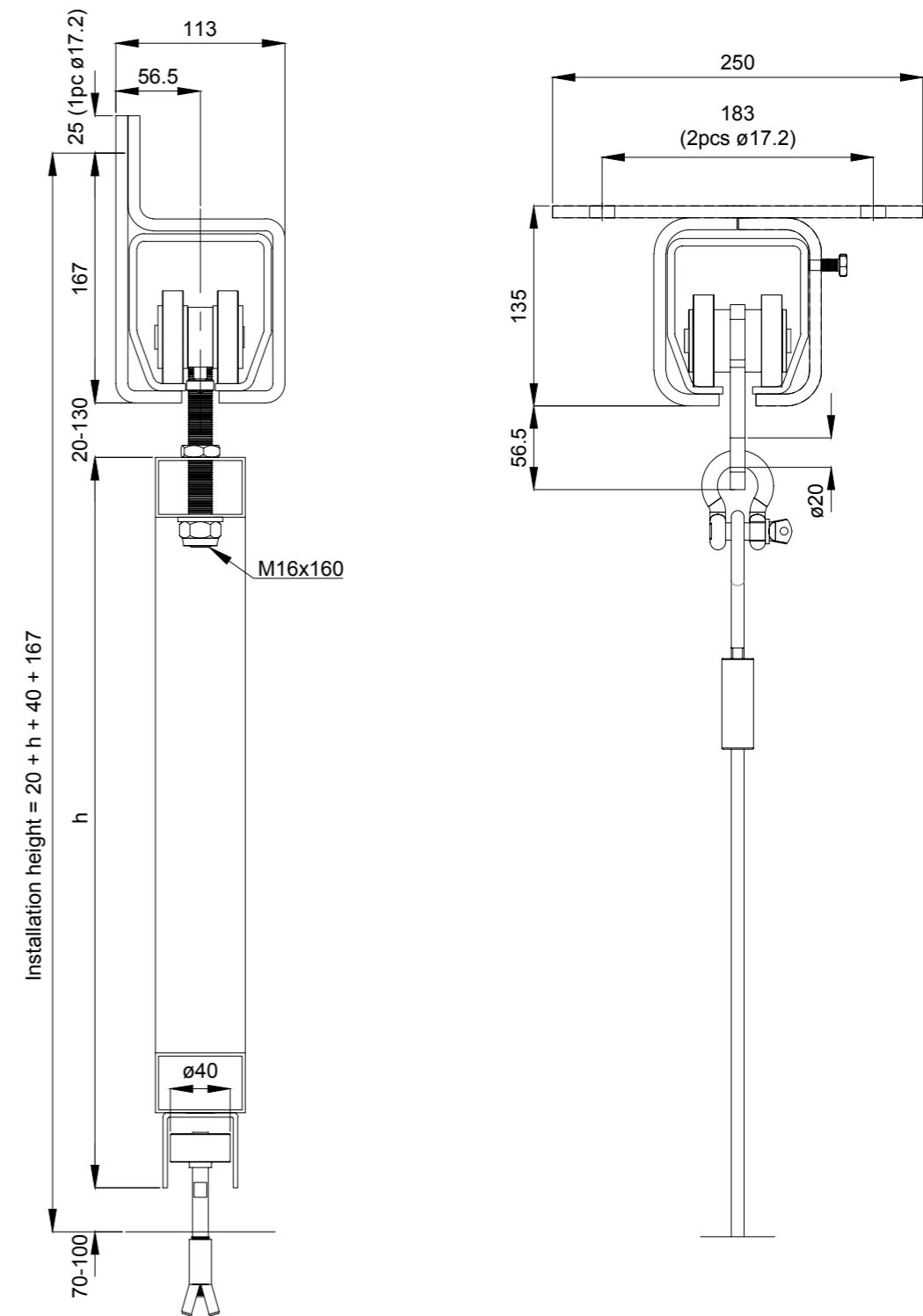
NOTE! Bottom guides must be used with door installations.



# SERIES 2000


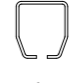

Industry and agriculture

Series 2000 is a multifunctional solution designed for loads up to 2,000 kg. This top-hung system is unique in its weight class, enabling extremely large doors and heavy objects to be moved easily. This extremely durable series is typically used in **large industrial halls, warehouse facilities, logistic centres for truck loading bays and the marine industry.**



## Specifications

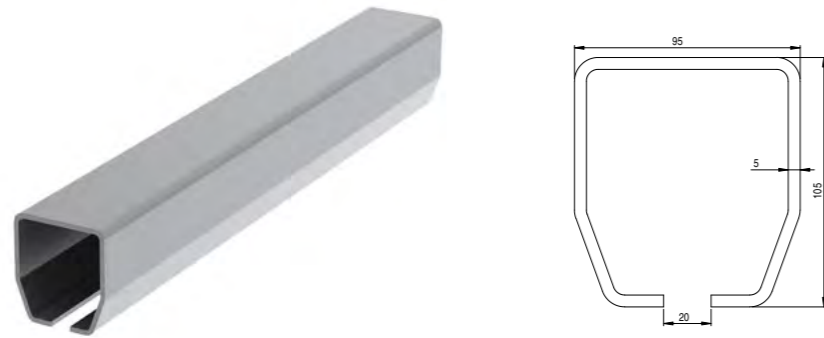
Weight (max.)	2000 kg /door
Bracket interval (max.)	1000 mm

-  Hangers with steel wheels. Lubricated for life bearings.
-  Hot dipped galvanized steel track (min. 70 µm).
-  Zinc plated (min. 8 µm) steel parts. Tested in salt water spray chamber (240 h).



## GALVANIZED STEEL TRACK

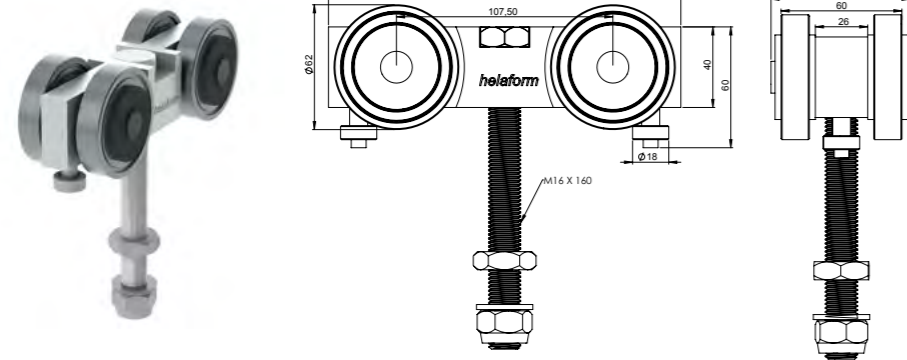
CODE



K-2000 6 m

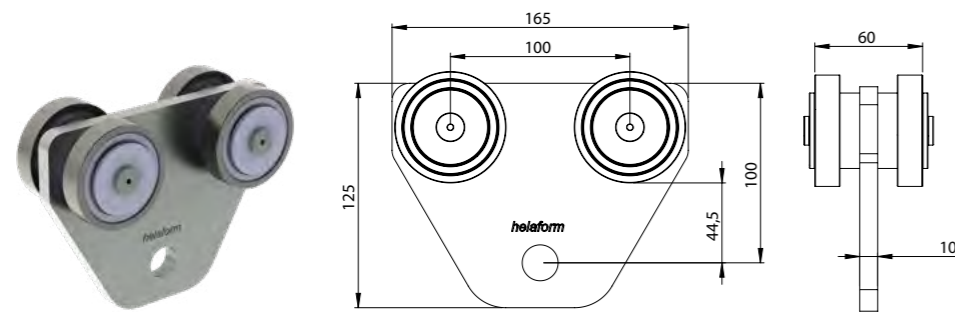
60016

## HANGERS



MP-2000/steel  
For track K-2000.  
(Capacity 2000 kg / pair)

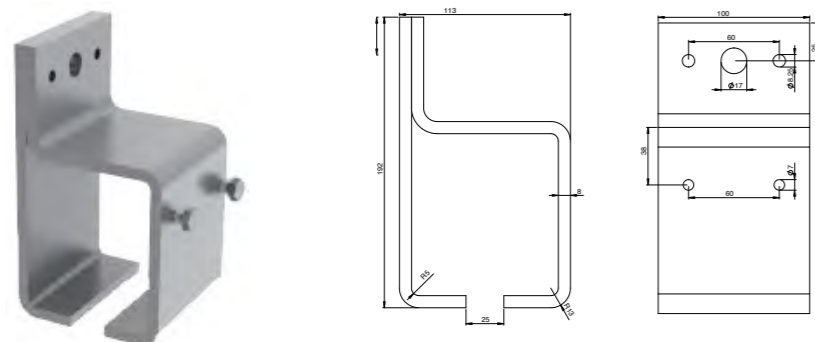
60040



KV-2000/steel  
For applications.  
For track K-2000.  
(Capacity 1000 kg / pcs)

60042

## WALL BRACKET

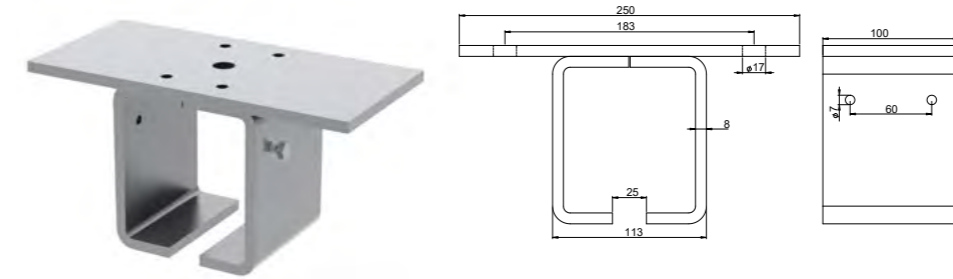


SKL-2000  
Joint bracket.  
For track K-2000.  
(Door thickness max. 110 mm)

60070

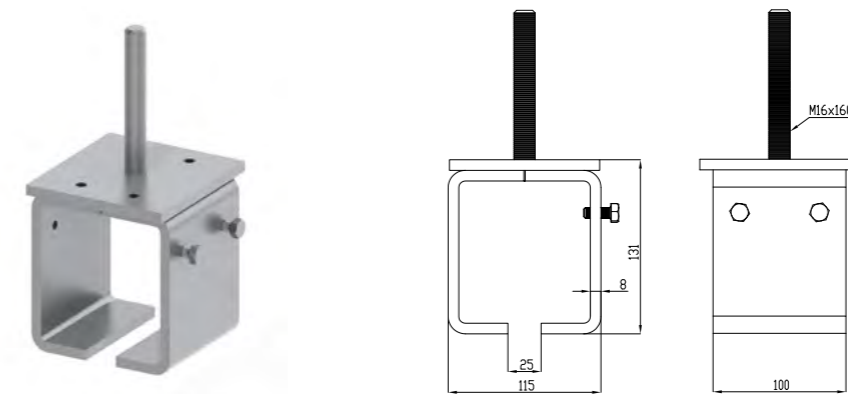
## SOFFIT BRACKETS

CODE



KKL-2000  
Joint bracket.  
For track K-2000.

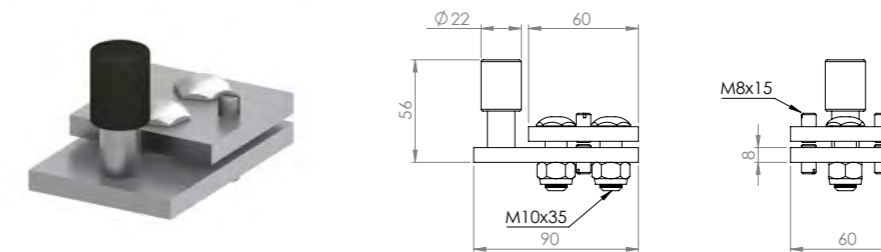
60080



KKL-2000/M16 x 160  
Joint bracket.  
With bolt.  
For track K-2000.

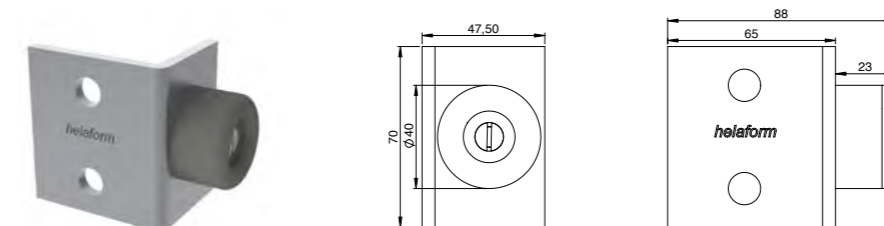
60090

## ACCESSORIES



Stop KP-2000  
Stops the hanger inside  
the track.  
For track K-2000.

60110



Stop P  
Wall stop.  
Stops the door.  
For tracks K-150, K-300,  
K-500 and K-2000.

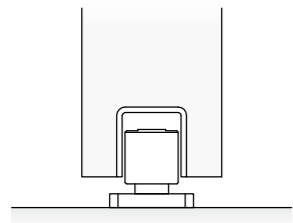
50111

BOTTOM GUIDE OPTIONS ARE PRESENTED ON PAGE 98.

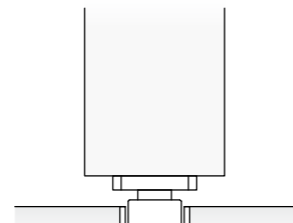
NOTE! Bottom guides must be used with door installations.

# BOTTOM GUIDE INFO

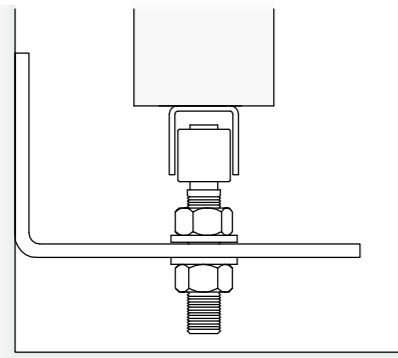
Helaform's wide range of bottom guides provide solutions for different sliding door systems. A suitable bottom guide system should always be specified at the door-design stage. A bottom guide is essential for the correct functionality of the door and it ensures the faultless and safe operation of the door as well as prevents the door from swinging. In heavy doors (over 6 meter width) always ask our sales staff for advice.



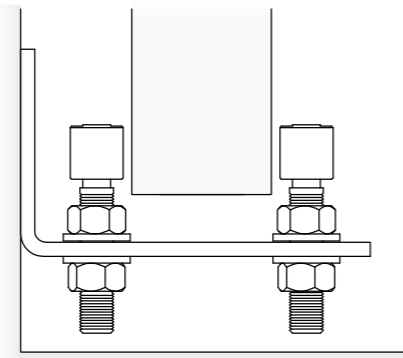
The channel is fixed into the door groove.



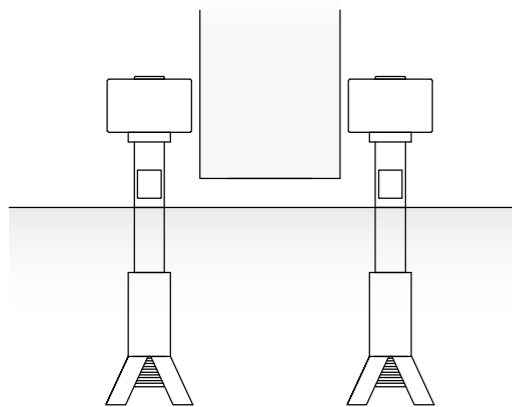
The channel is sunk into the ground.



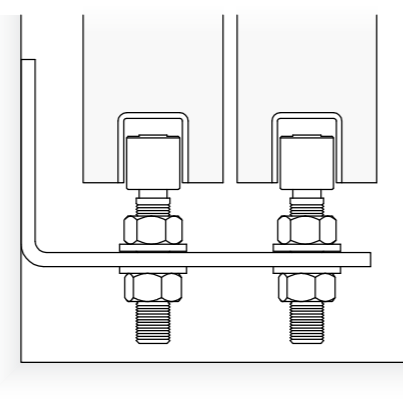
The channel is attached to the bottom of the door.



The doors slides between guide rollers.



The bottom guide is sunk into concrete.

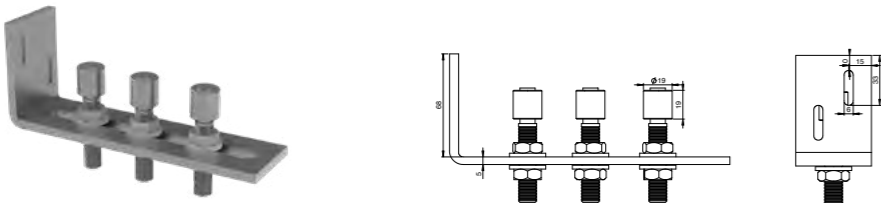
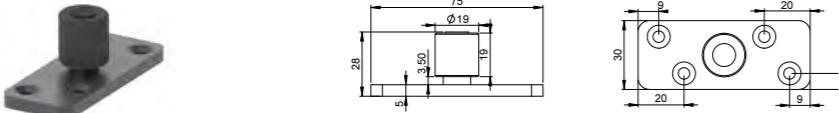
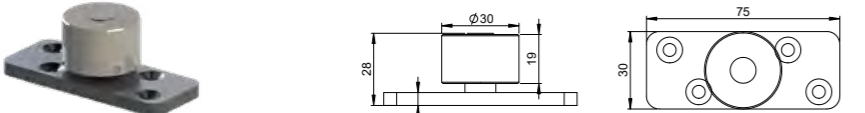





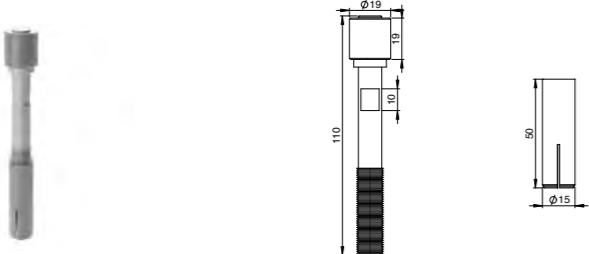
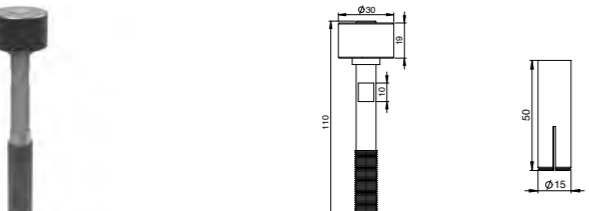
Two doors slide on top of double roller guides.

# BOTTOM GUIDES FOR SERIES 100-2000

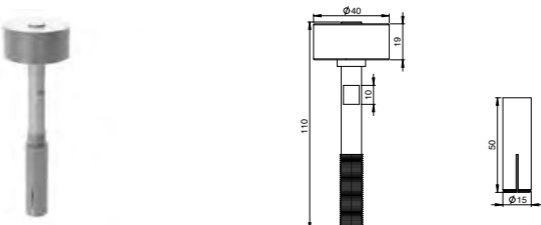
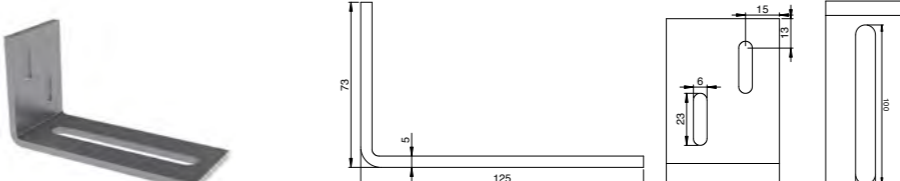
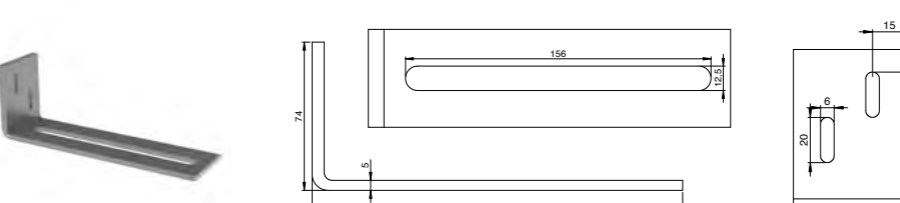
BOTTOM GUIDES			CODE	
			<b>A0-12</b> ø 19 mm. Steel. Wall fixing.	50312
			<b>A0-13</b> ø 30 mm. Steel. Wall fixing.	50313
			<b>A0-14</b> ø 40 mm. Steel. Wall fixing.	50314
			<b>A0-22</b> ø 19 mm. Steel. Wall fixing.	50322
			<b>A0-23</b> ø 30 mm. Steel. Wall fixing.	50323
			<b>A0-24</b> ø 40 mm. Steel. Wall fixing.	50324


# BOTTOM GUIDES FOR SERIES 100-2000

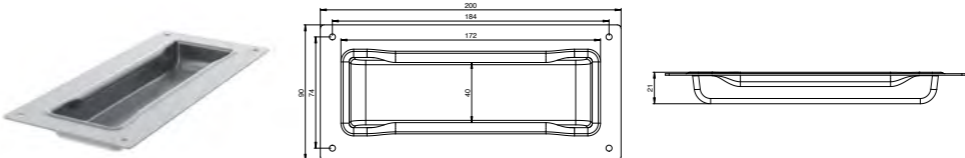
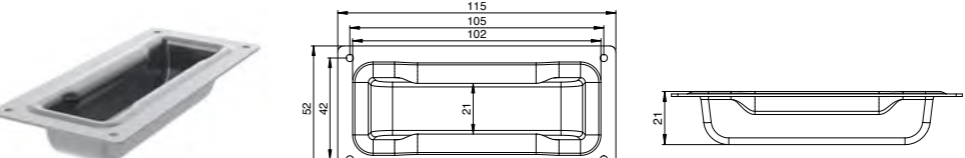
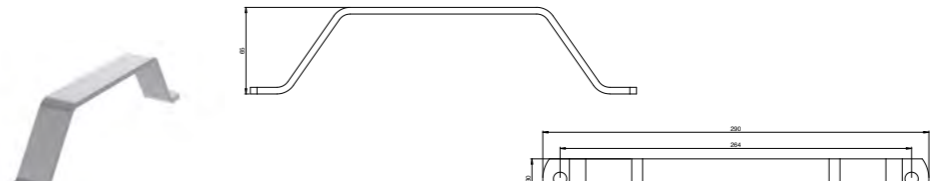
BOTTOM GUIDES	CODE
 <p><b>A0-32</b>                      ø 19 mm.                      Steel.                      Wall fixing.</p>	50332
 <p><b>AOL-12</b>                      ø 19 mm.                      Steel.                      Floor fixing.</p>	50335
 <p><b>AOL-13</b>                      ø 30 mm.                      Steel.                      Floor fixing.</p>	50334

BOTTOM GUIDE ROLLERS AND PLATES	CODE
 <p><b>Bottom guide roller AORU-12</b>                      ø 19 mm                      Steel.                      Compatible with bottom guide plates.</p>	50350
 <p><b>Bottom guide roller AORU-13</b>                      ø 30 mm                      Steel.                      Compatible with bottom guide plates.</p>	50351
 <p><b>Bottom guide roller AORU-14</b>                      ø 40 mm                      Steel.                      Compatible with bottom guide plates.</p>	50352
 <p><b>Ground stay roller UA-12</b>                      ø 19 mm.                      Steel.                      Floor fixing.                      Rawplug type fixing for concrete</p>	50321
 <p><b>Ground stay roller UA-13</b>                      ø 30 mm.                      Steel.                      Floor fixing.                      Rawplug type fixing for concrete</p>	50326

# BOTTOM GUIDES FOR SERIES 100-2000

BOTTOM GUIDE ROLLERS AND PLATES	CODE
 <p><b>Ground stay roller UA-14</b>                      ø 40 mm.                      Steel.                      Floor fixing.                      Rawplug type fixing for concrete</p>	50320
 <p><b>Bottom guide plate AORA-12/L</b>                      Short.                      Steel.                      Wall fixing.                      Compatible with bottom guide rollers.</p>	50340
 <p><b>Bottom guide plate AORA-22/P</b>                      Long.                      Steel.                      Wall fixing.                      Compatible with bottom guide rollers.</p>	50341

BOTTOM GUIDE CHANNEL	CODE
 <p><b>AOK 3 m</b>                      Steel.                      Bottom guide channel                      For ø 19 mm bottom guides.                      Usually attach to the bottom of the door.</p>	50318

HANDLES	CODE
 <p><b>Flush handle UV-501</b>                      Zinc plated steel.</p>	50201
 <p><b>Flush handle UV-511</b>                      Zinc plated steel.</p>	50202
 <p><b>Handle LV-150/300/500</b>                      Zinc plated steel.</p>	50200



**FOLDING DOOR SYSTEMS**

# FOLDING DOOR INFO

## Determining a folding door system and parts

### The installation space & environment

The installation environment determines which materials should be used (e.g. Al, Fe or AISI) and how to install the system

### Folding method & direction

The opening method and space requirements determines if an endfold or centrefold system should be specified. Folding door systems are folded typically one sided or as bi-parting. Floating units and entrance doors can be also specified.

### Door size, construction & weight

The opening's width affects the number of door leaves while the thickness, width, height and weight per leaf determines the product Series to be used.

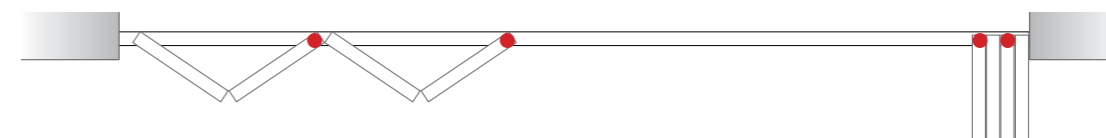
## 1. Choose the **SERIES** according to your needs:

Environment / Application examples	Max. door leaf weight (2 wheel hanger)	Max. door leaf weight (4 wheel hanger)	Max. recommended leaf dimensions	SERIES
<b>Interior use</b> Apartments and commercial spaces.	-	25 kg	h: 2000 mm w: 600 mm	75 (902/904)
<b>Interior / Exterior use</b> Commercial and industrial environments.	30 kg	50 kg	h: 2750 mm w 900 mm	100
	50 kg	75 kg	h: 3000 mm w 1000 mm	150
	75 kg	100 kg	h: 3500 mm w 1000 mm	300
	100 kg	150 kg	h: 4500 mm w 1000 mm	500

## 2. Choose an **ENDFOLD** or a **CENTREFOLD** system:

**Endfold installation example.** Uses pivot set (to allow the same width to all leaves) or hinges.

(● = Sliding hanger)



**Centrefold installation example.** Uses only hinges.

(● = Sliding hanger)



## 3. Choose the **COMPONENTS** as follows:

### 1 Track:

Track length is normally the width of the door opening.

### 2 Hangers and plates:

There are two different types of hangers: Endfold and centrefold hangers. Use one hanger per every second door leaf. Use 2-wheel hangers whenever possible (pay attention to the kg). With an uneven number of leaves the hanger closest to the swing leaf should be a 4-wheel hanger. The type of plate depends on whether the system is endfold or centrefold.

### 3 Pivot sets:

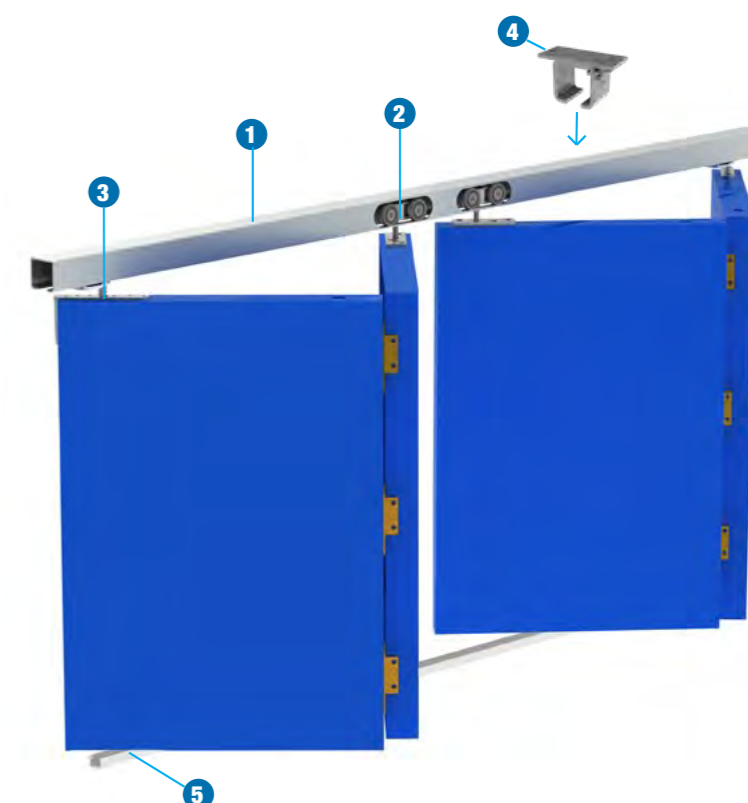
Pivot sets can be used only with an endfold system. If pivot sets are used, then all the door leaves can be the same width.

### 4 Brackets:

You can choose between wall or soffit brackets.  
Number of brackets = Length of track (m) + 1 pcs, an extra bracket should be installed approximately 0.3 m from the end bracket where the door leaves stack.  
Brackets are installed at a maximum of 1 metre intervals.  
With series 75 the track can also be fixed directly to the ceiling.

### 5 Bottom guide:

A bottom guide ensures faultless and safe operation of the door and also prevents the door from swinging. A bottom guide should be installed on every second leaf. The bottom guide plate depends on if the system is an endfold or a centrefold system.

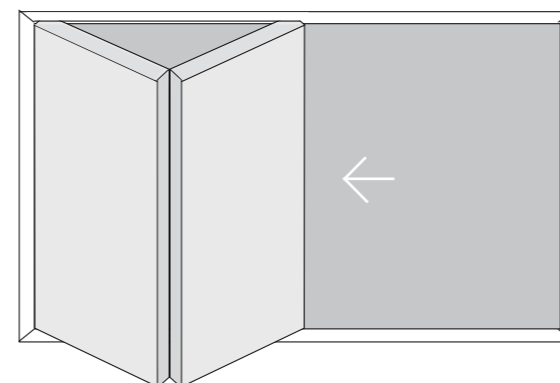




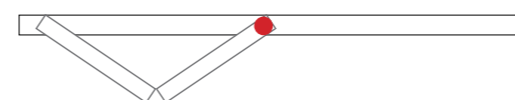
Folding door series 75 has two convenient DIY Fittings sets:

**902** (for one, two-leaf folding door) and **904** (for two, two-leaf folding doors).

These fittings sets are ideal to use with K-75 Junior tracks. They are easy to install and maintenance free.



Endfold installation example. (● = Sliding hanger)



Fittings set 902

- 1 x Hanger TP-75/nylon (with plate)
- 3 x Hinge TS-75
- 1 x Top pivot set YH-75
- 1 x Bottom pivot set AH-75



Track should be bought separately.

# SERIES 75

Folding door systems

Folding doors save space and bring a decorative and practical solution to both public buildings and the home. Folding doors are highly suitable for commercial premises, such as **partition dividers in homes, restaurants and hotels**, or for separating the dining room from the lounge.

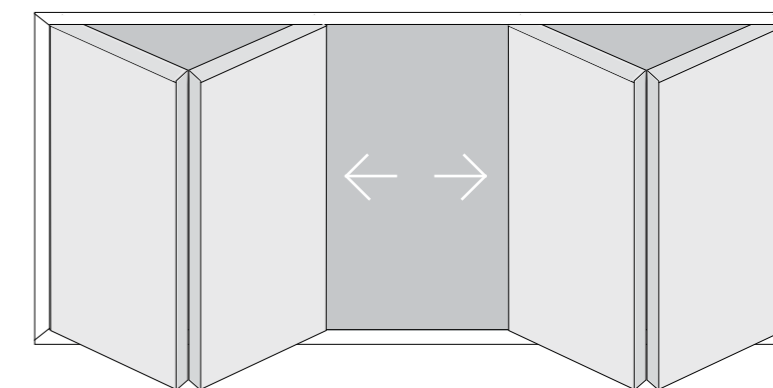
## Specifications

Weight (max.)	25 kg /door leaf
Door leaf thickness	20-40 mm
Door leaf size (max.)	H 2000 x W 600 mm
Number of door leaves (max.)	2 pcs / side

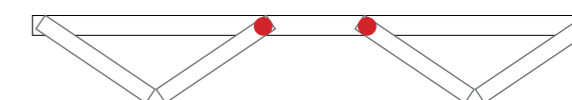


Fittings set 904

- 2 x Hanger TP-75/nylon (with plate)
- 6 x Hinge TS-75
- 2 x Top pivot set YH-75
- 2 x Bottom pivot set AH-75



Endfold installation example. (● = Sliding hanger)



Track should be bought separately.

NOTE! If the door leaves slide to the same side, a bottom guide and channel should be used.

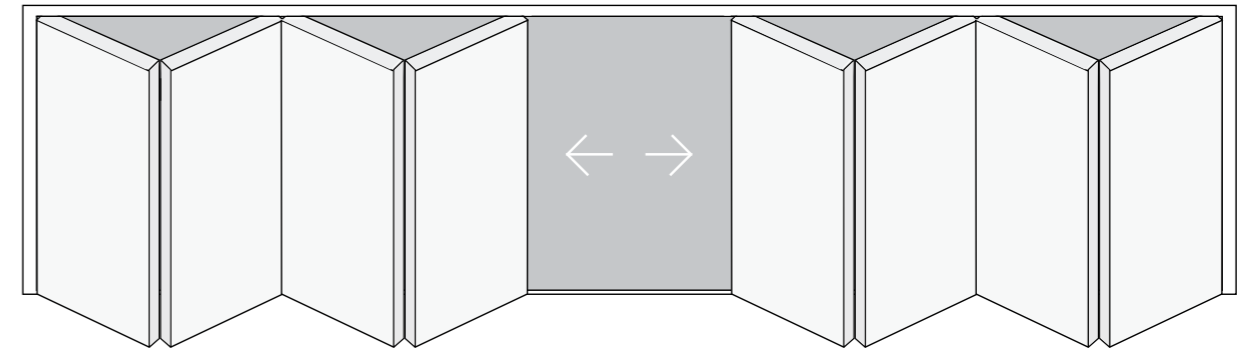


In series 100-500 there are two different types of folding doors: **Endfold** and **centrefold**. The series determines the maximum weight capacity per door, so by changing the track and the hangers you can easily increase the loading capacity from 30 kg up to 150 kg. These systems are available for both interior and exterior applications.

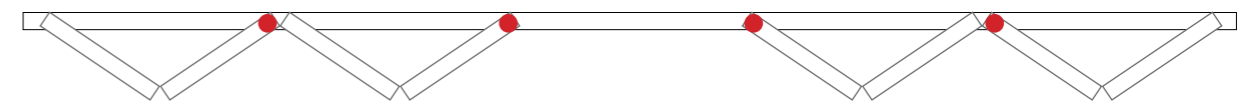
**ENDFOLD SERIES (Door leaf weight 30-150 kg)**

The endfold system uses a pivot set or hinges. In this system, the maximum width is limited because the weight is distributed only to the other end. The panels can fold to either one or both sides of the opening and can also be stacked behind a reveal if required. The endfold system folds only on the other side of the opening and that is why it is the most common and the most popular system.

With steel doors, the last hanger should be welded 25 mm or 30 mm (TPE-150 or TPE-300/500 hangers) from the end of the leaf.

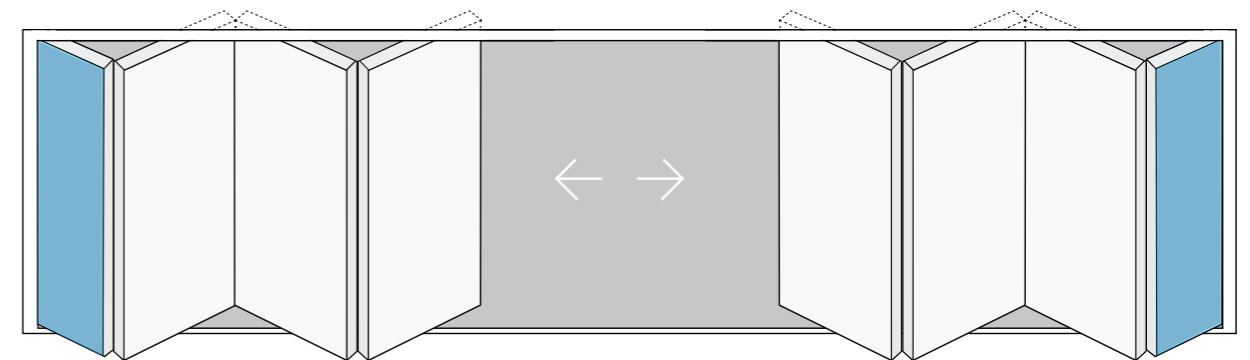


Endfold installation example. ( ● = Sliding hanger)

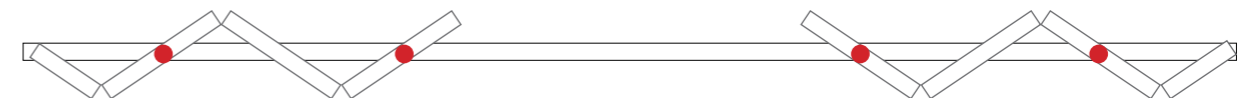


**CENTREFOLD SERIES (Door leaf weight 30-150 kg)**

The **first panel is half-leaf**, hinged to the post and the remaining leaves are full-size. The leaves are hung centrally under the lintel, and they fold to both sides of the opening.



Centrefold installation example. ( ● = Sliding hanger)



**SERIES 100-500**

Folding door systems

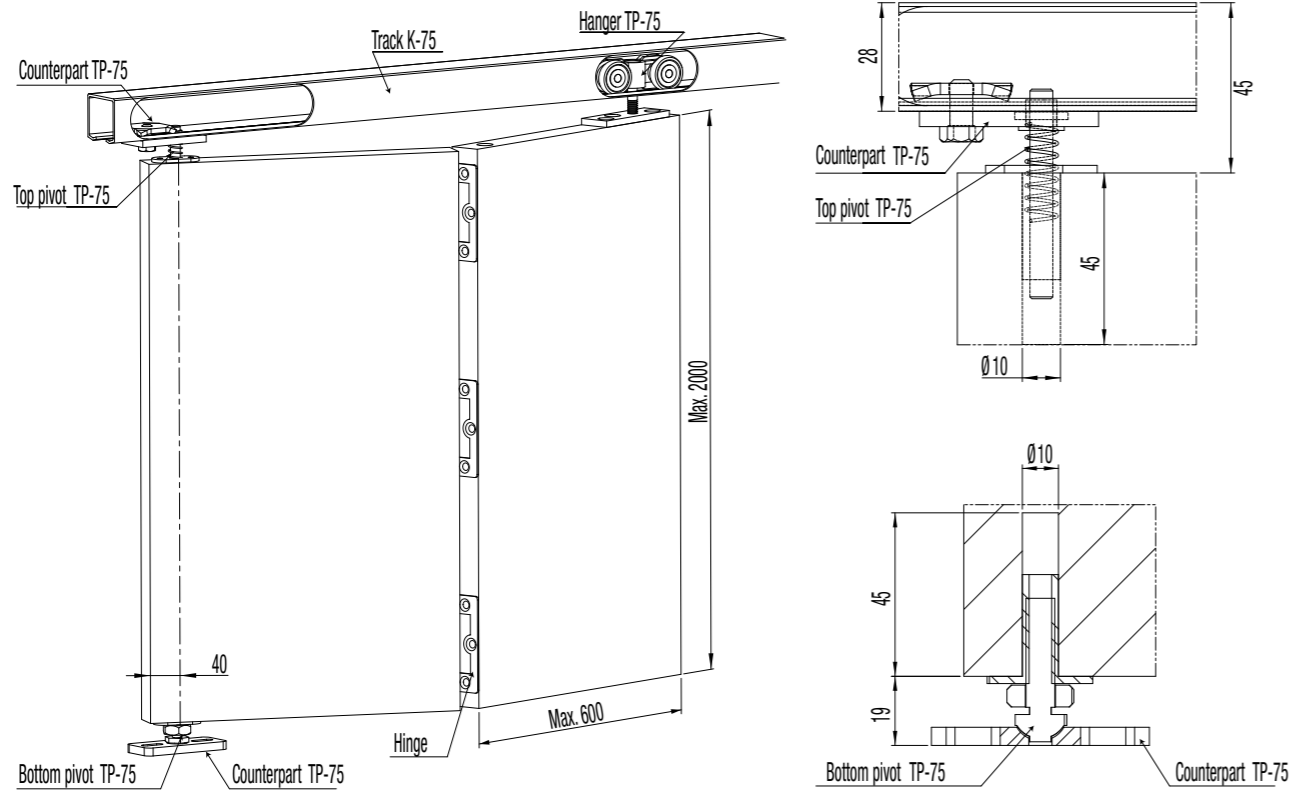
Folding doors for industrial buildings and warehousing applications are a space-saving and economical solution. Thanks to their convenience and security, they are really popular solutions for **warehouses, garages, workshops** and **shipyards**.

Specifications

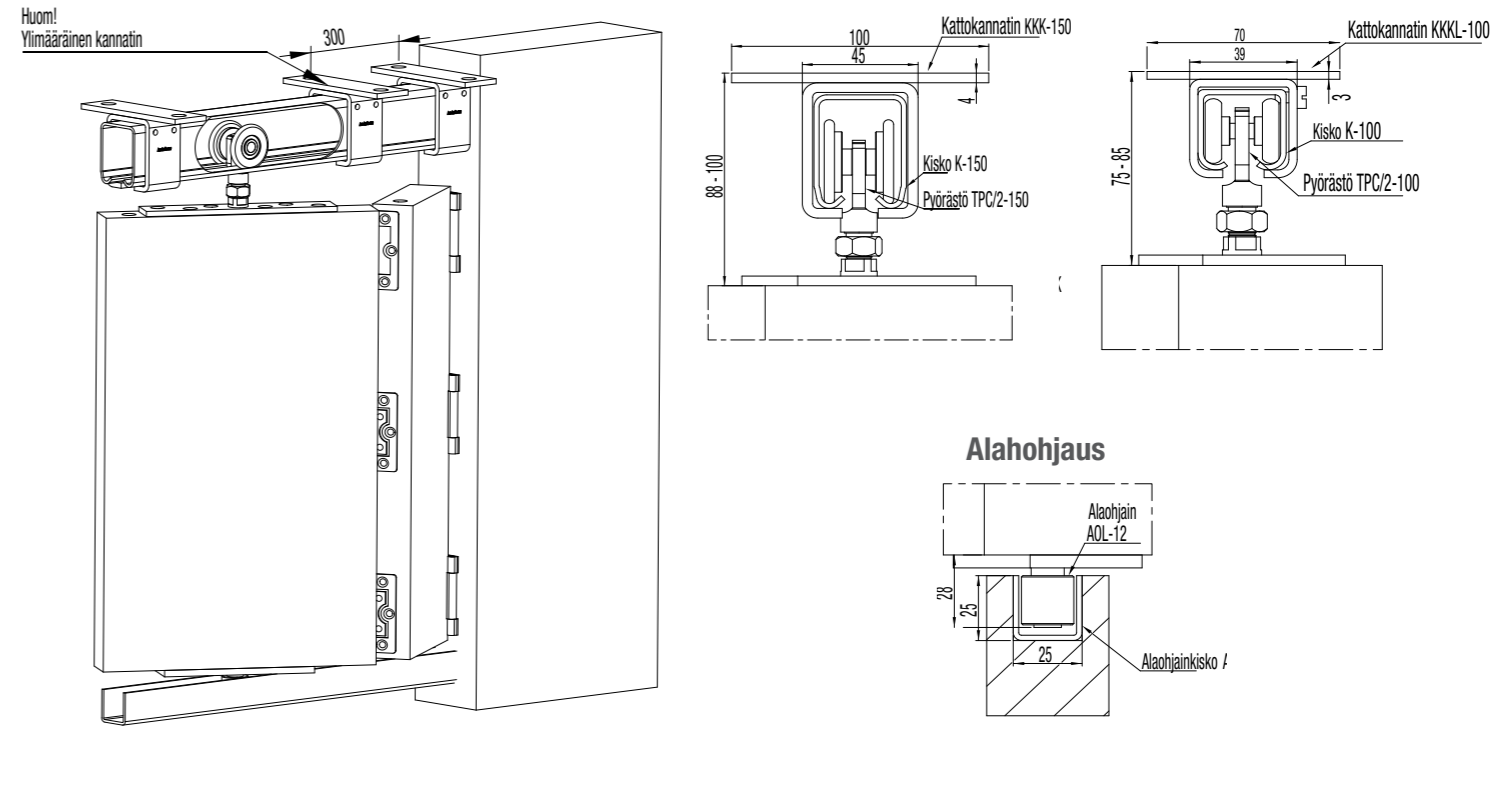
Weight (max.)	30-150 kg /door leaf
Door leaf thickness	25-66 mm
Door leaf size with endfold hanger (max.)	H 2750 - 4500 mm x W 900 - 1000 mm
Number of door leaves (max.)	8 pcs / side



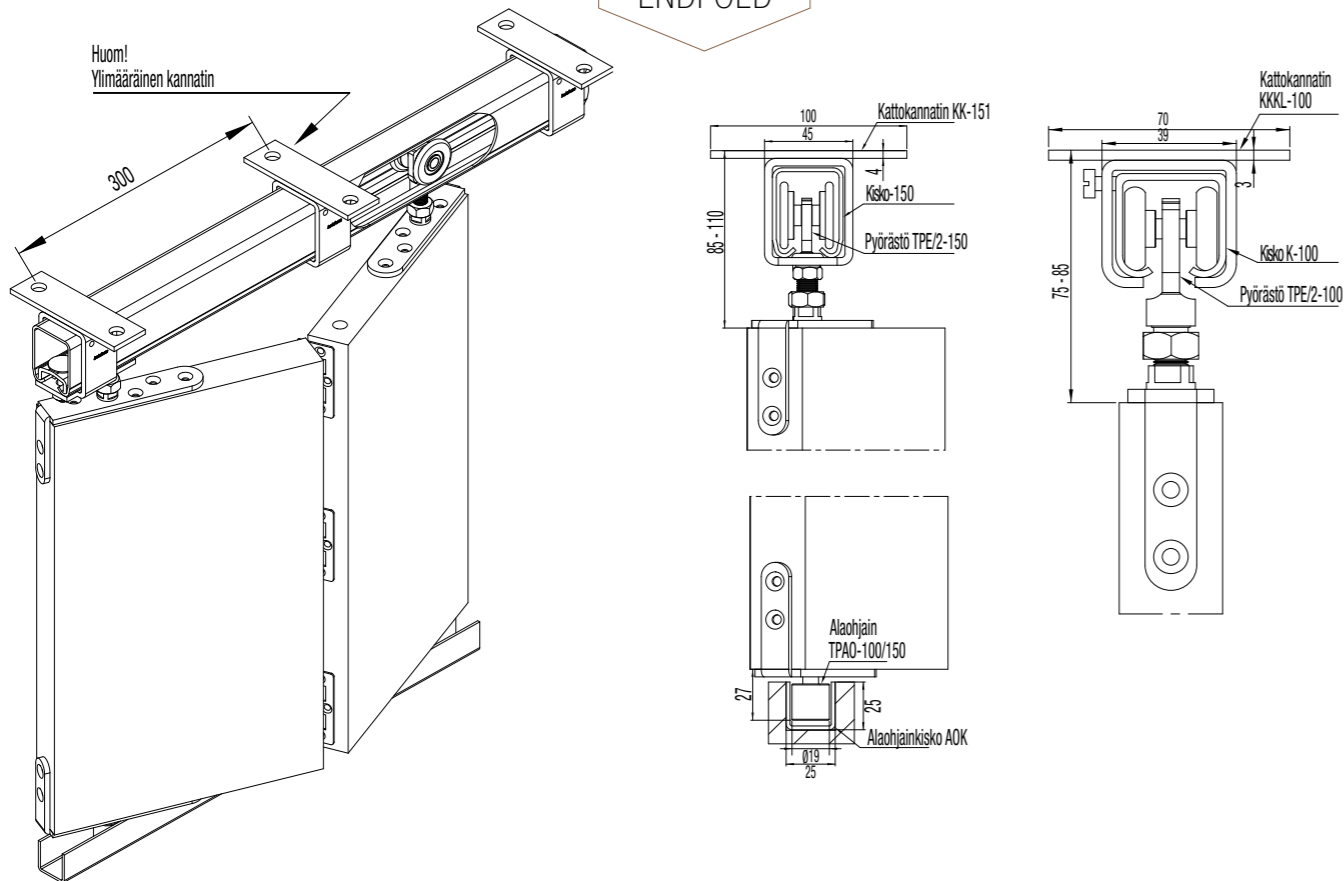
SERIES 75  
ENDFOLD



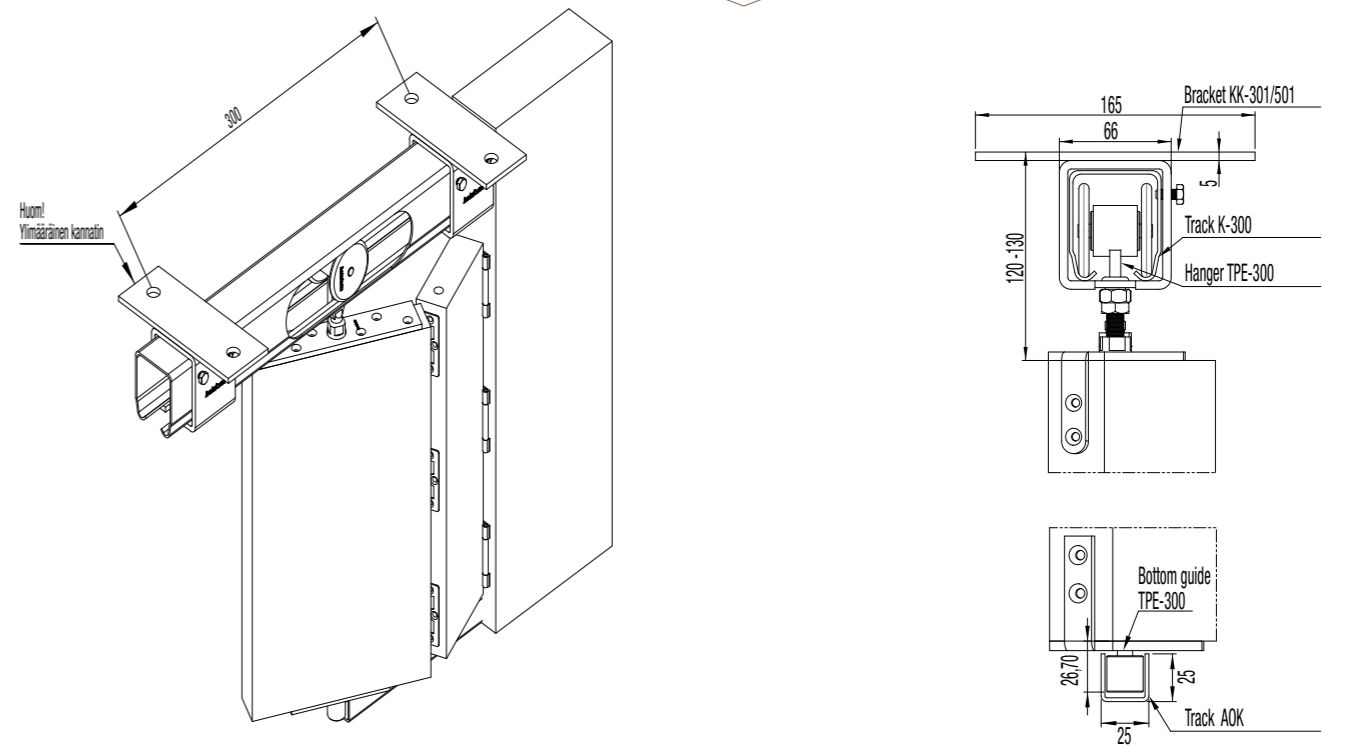
SERIES  
100/150  
CENTREFOLD



SERIES  
100/150  
ENDFOLD



SERIES  
300/500  
CENTREFOLD





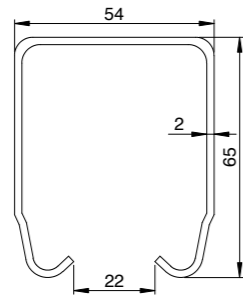




## SERIES 300/500

### GALVANIZED STEEL TRACKS

### CODE



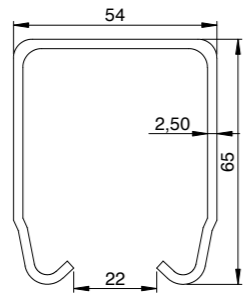
**K-300 2 m** 50012

**K-300 3 m** 50013

**K-300 4 m** 50014

**K-300 5 m** 50015

**K-300 6 m** 50016



**K-500 2 m** 50022

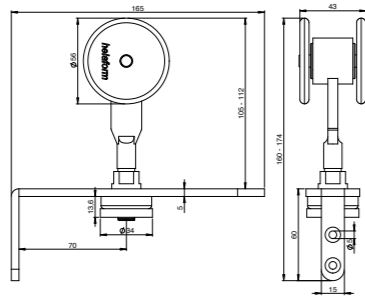
**K-500 3 m** 50023

**K-500 4 m** 50024

**K-500 5 m** 50025

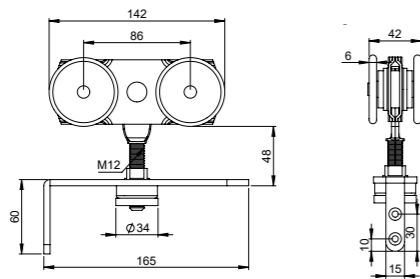
**K-500 6 m** 50026

### ENDFOLD HANGERS



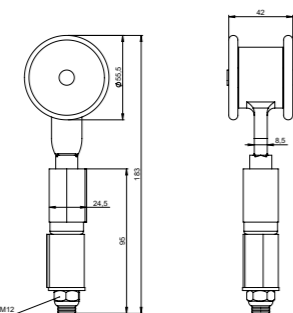
**TPE/2-300/500/steel**  
For tracks K-300 and K-500.  
(Capacity 75 kg / door leaf or 100 kg / door leaf)  
Used with bottom guide TPAO-300/500

50061



**TPE/4-300/500/steel**  
For tracks K-300 and K-500.  
(Capacity 100 kg / door leaf or 150 kg / door leaf)  
Used with bottom guide TPAO-300/500

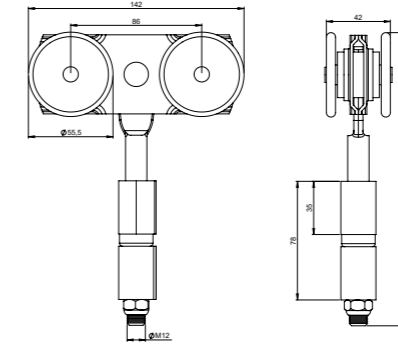
50062



**MTP/2-300/500**  
For metal folding door.  
With welding hinges.  
For tracks K-300 and K-500.  
(Capacity 75 kg / door leaf or 100 kg / door leaf)  
Use with bottom guide MTAO-150/300/500.

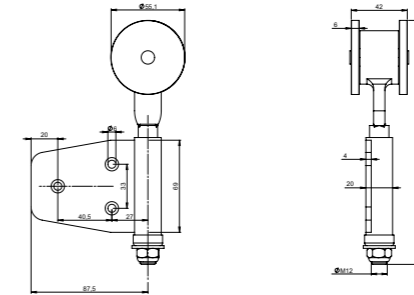
50046

### ENDFOLD HANGERS



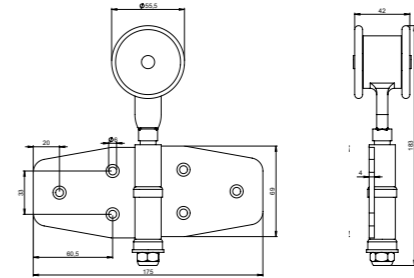
**MTP/4-300/500/steel**  
For metal folding door.  
With welding hinges.  
For tracks K-300 and K-500.  
(Capacity 100 kg / door leaf or 150 kg / door leaf)  
Use with bottom guide MTAO-150/300/500.

50047



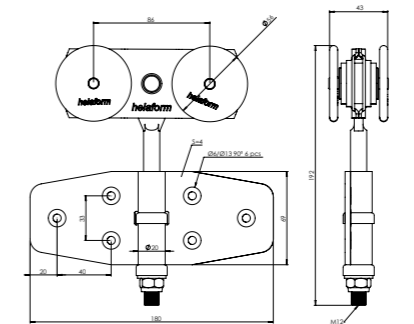
**PTPE/2-300/500/steel, end leaf**  
With butterfly hinge.  
For tracks K-300 and K-500.  
(Capacity 75 kg / door leaf or 100 kg / door leaf)  
Use with bottom guide PTAO-150/300/500, end leaf.

50039



**PTPE/2-300/500/steel**  
With butterfly hinges.  
For tracks K-300 and K-500.  
(Capacity 75 kg / door leaf or 100 kg / door leaf)  
Use with bottom guide PTAO-150/300/500.

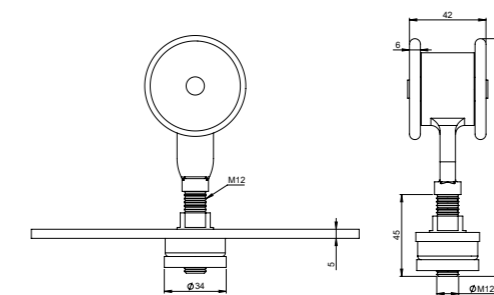
50048



**PTPE/4-300/500/steel**  
With butterfly hinges.  
For tracks K-300 and K-500.  
(Capacity 100 kg / door leaf or 150 kg / door leaf)  
Use with bottom guide PTAO-150/300/500.

50038

### CENTREFOLD HANGERS



**TPC/2-300/500/steel**  
For tracks K-300 and K-500.  
(Capacity 75 kg / door leaf or 100 kg / door leaf)  
Use with bottom guide AOL-12.

50059





**APPLICATIONS**



# INDUSTRIAL CURTAIN SYSTEMS

## Applications

Helaform offers a range of high-quality industrial curtain systems. These industrial curtain systems are maintenance free and effective solutions for industries where protective or space-dividing curtains are required. Typically these curtain systems are used in **outdoor storages, washing and welding facilities, sports halls and theatres.**

### Specifications


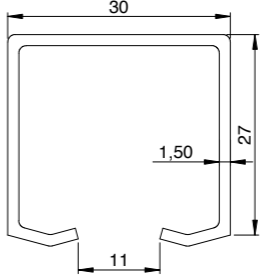

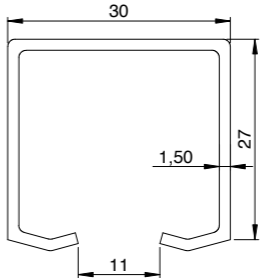
Bracket interval (max.)	1000 mm
Distance between hangers	approx. 300 mm




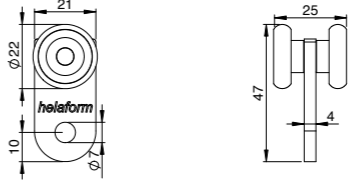

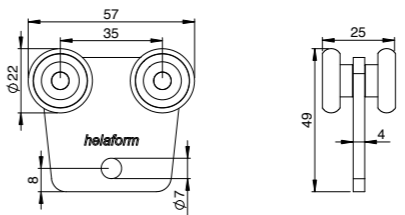
## SERIES 75

### GALVANIZED STEEL TRACKS


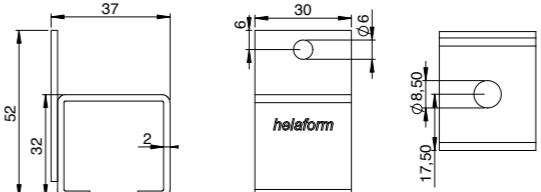
### CODE

		K-75 2 m	20001
		K-75 2.4 m	20010
		K-75 3 m	20003
		K-75 4 m	20004
		K-75 6 m	20006
		<b>Curve K-75, 90°</b> Radius 650 (Fe/ZN).  *NOTE! The radius of the curve may vary ± 20 mm due to productional variations.	20033

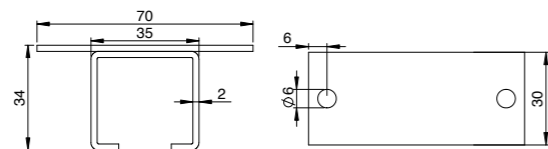
### HANGERS

		<b>VP/2-75/nylon</b> For track K-75. (Capacity 20 kg / pcs)	20056
		<b>VP/4-75/nylon</b> For track K-75. (Capacity 40 kg / pcs) (Used at the ends of the curtain)	20057

### WALL BRACKET

		<b>SKU-75/steel</b> For track K-75.	20071
---	---	--	-------

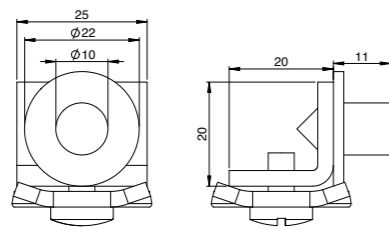
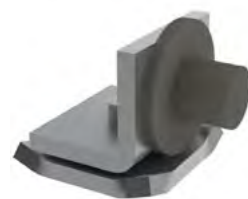
## SOFFIT BRACKET



**KKK-75/steel**  
For track K-75.

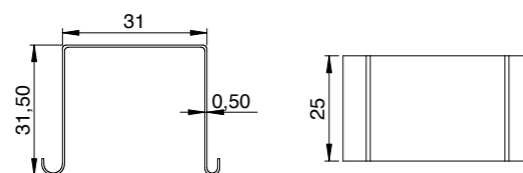
20080

## ACCESSORIES



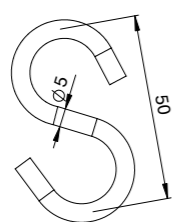
**Stop KP-75/100**  
Stops the hanger inside the track.  
For tracks K-75 and K-100.

20110



**End clip PK-75/steel**  
Prevents the tracks lateral movement.  
For track K-75.

20120



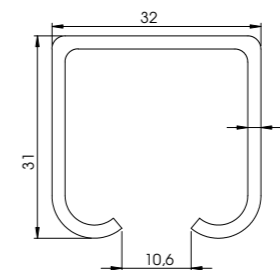
**S-hook S-50/ 5,5 mm**  
Used with all the curtain hangers.  
(Ø 5 mm)

20400

## SERIES 100

### GALVANIZED STEEL TRACKS

### CODE



**K-100 2 m**

30017

**K-100 3 m**

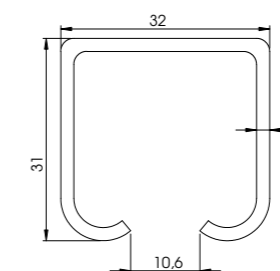
30013

**K-100 4 m**

30014

**K-100 6 m**

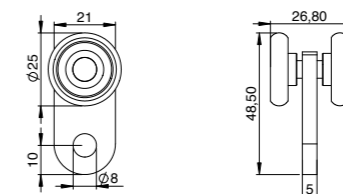
30016



**Curve K-100, 90°**  
Radius 600 mm.  
\*NOTE! The radius of the curve may vary ± 20 mm due to productional variations.

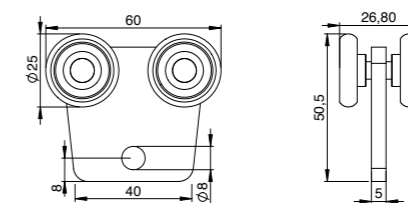
30033

### HANGERS



**VP/2-100/steel**  
For track K-100.  
(Capacity 30 kg / pcs)

30058



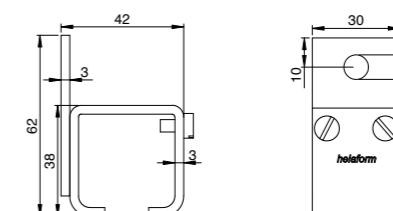
**VP/4-100/steel**  
For track K-100.  
(Capacity 50 kg / pcs)  
(Used at the ends of the curtain)

30059

**VP/4-100/nylon**  
For track K-100.  
(Capacity 50 kg / pcs)  
(Used at the ends of the curtain)

30057

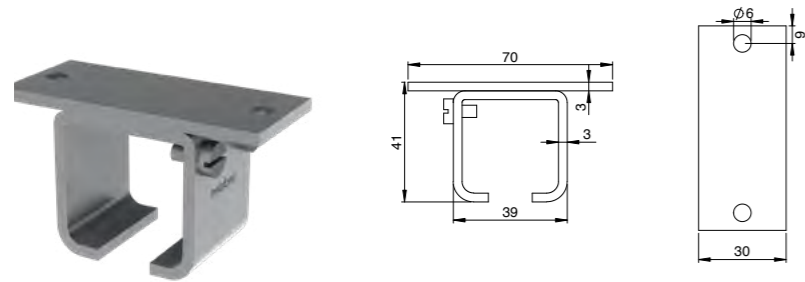
### WALL BRACKET



**SKL-100**  
Joint bracket.  
For track K-100.

30070

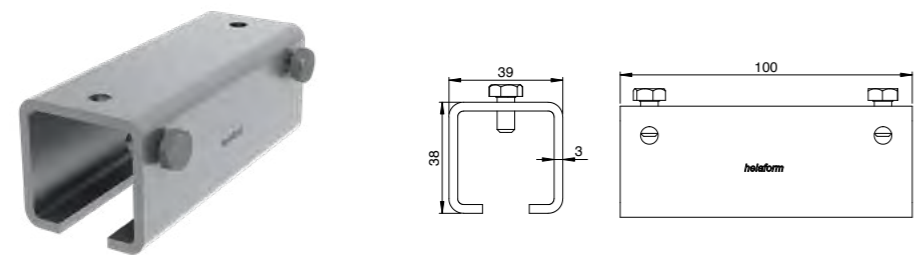
**SOFFIT BRACKET** CODE



**KKKL-100**  
Joint bracket.  
For track K-100.

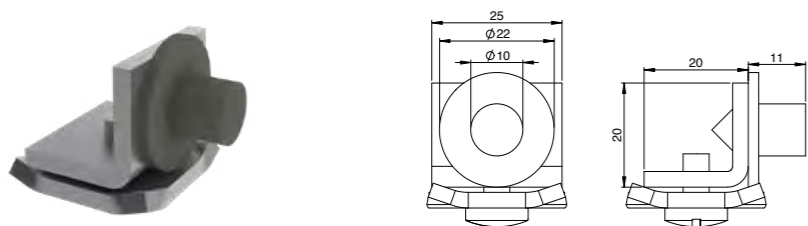
30080

**ACCESSORIES**



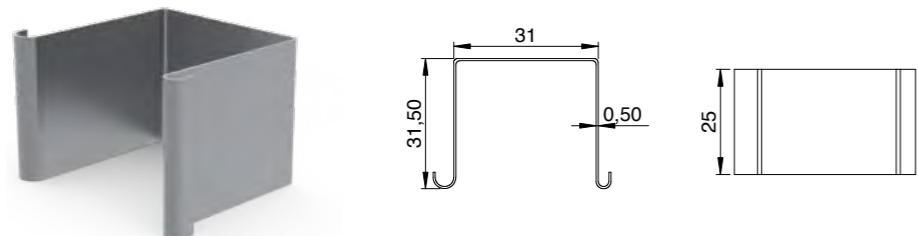
**Joint LKU-100/100 mm**  
For track K-100.

30091



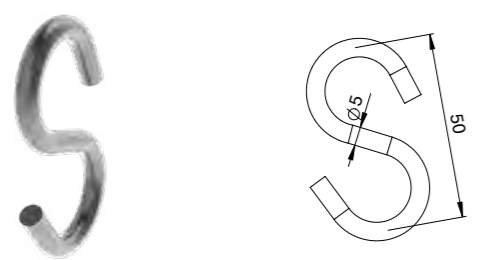
**Stop KP-75/100**  
Stops the hanger inside the track.  
For tracks K-75 and K-100.

20110



**End clip PK-75 Junior/100**  
Prevents the tracks lateral movement.  
For K-100 track.

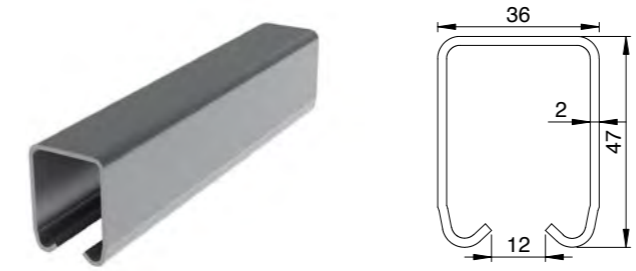
20121



**S-hook S-50/ 5,5 mm**  
Used with all the curtain hangers.  
(Ø 5 mm)

20400

**SERIES 150 GALVANIZED STEEL TRACKS** CODE



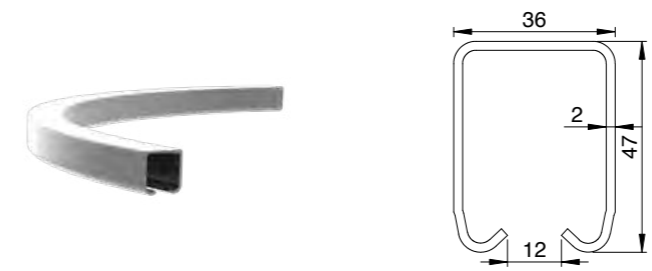
**K-150 2 m** 40012

**K-150 3 m** 40013

**K-150 4 m** 40014

**K-150 5 m** 40015

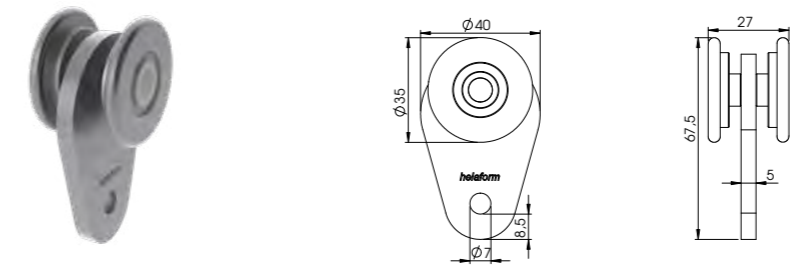
**K-150 6 m** 40016



**Curve K-150, 90°**  
Radius 600 mm.  
\*NOTE! The radius of the curve may vary ± 20 mm due to productional variations.

40033

**HANGERS**

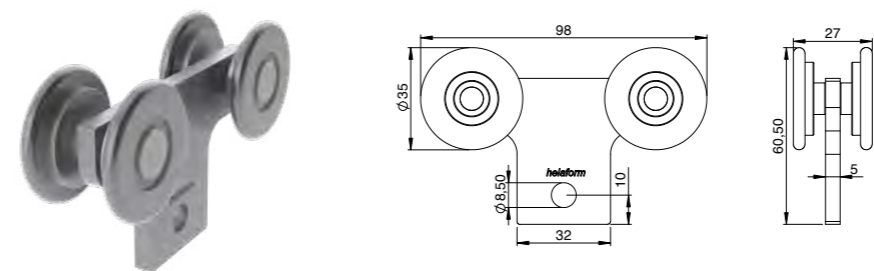


**VP/2-150/steel**  
For track K-150.  
(Capacity 50 kg / pcs)

40056

**VP/2-150/nylon**  
For track K-150.  
(Capacity 50 kg / pcs)

40061




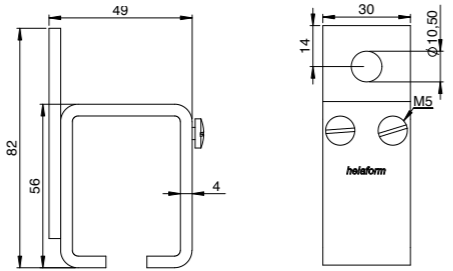
**VP/4-150/steel**  
For track K-150.  
(Capacity 100 kg / pcs)  
(Used at the ends of the curtain)


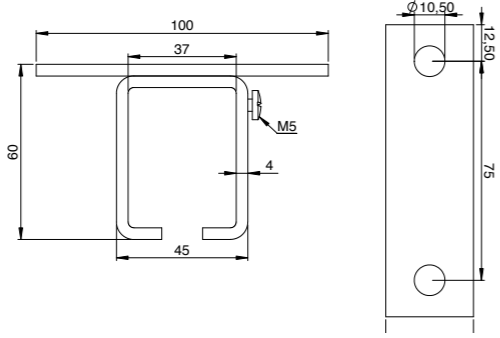
40057


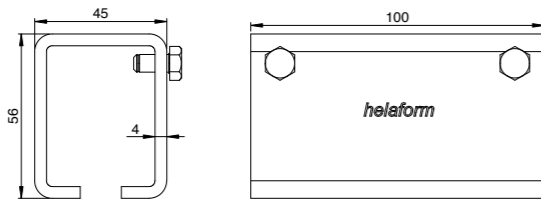
**VP/4-150/nylon**  
For track K-150.  
(Capacity 100 kg / pcs)  
(Used at the ends of the curtain)


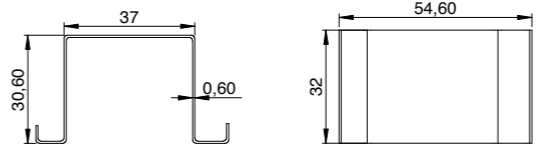
40062



WALL BRACKET		CODE	
		<b>SK-150</b> For track K-150. Without joint screws.	40070
		<b>SKL-150</b> Joint bracket. For track K-150.	40071

SOFFIT BRACKET		CODE	
		<b>KKK-150</b> For track K-150. Without joint screws.	40084
		<b>KKKL-150</b> Joint bracket. For track K-150.	40085

ACCESSORIES		CODE	
		<b>Joint LKU-150/100 mm</b> For track K-150.	40090
		<b>Stop KP-100/150</b> Stops the hanger inside the track. For K-150 track.	40110

ACCESSORIES		CODE	
		<b>End clip PK-150</b> Prevents the tracks lateral movement. For track K-150.	40120
		<b>S-hook S-50/ 5,5 mm</b> Used with all the curtain hangers. (Ø 5 mm)	20400

For AISI 304 and 316 L -products for Curtains, please see page 146.



## CONVEYOR SYSTEMS

### Applications


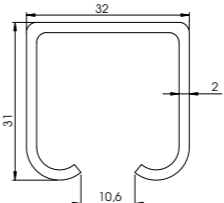

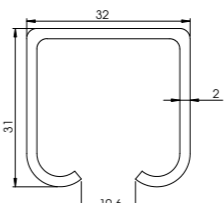

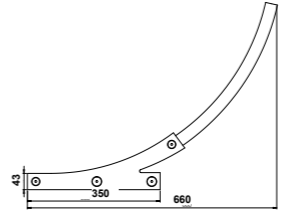

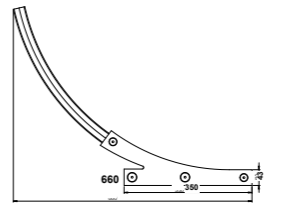

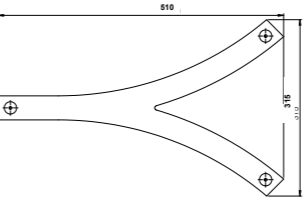

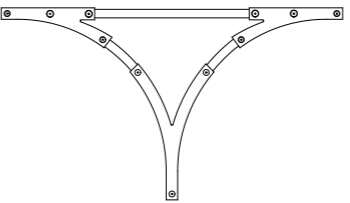

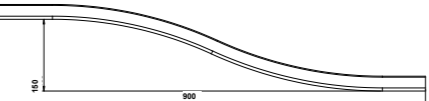
Helaform's conveyor systems are highly flexible and easily adjustable, reducing the workload and improving productivity. They are simple in design, layout and installation. **Production plants** such as **assembly lines** and **painting facilities** as well as **agricultural buildings** and **farms** are some of the many locations for conveyor solutions.


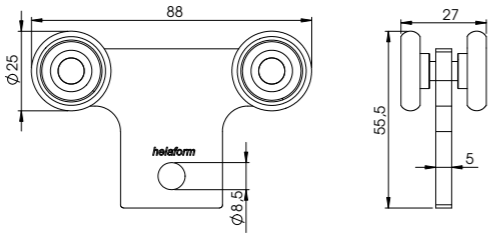

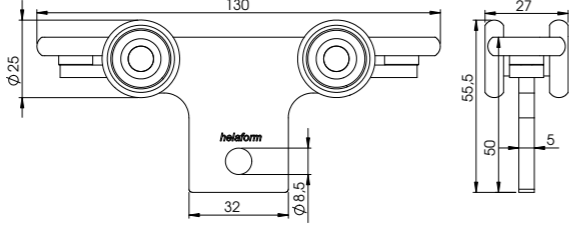

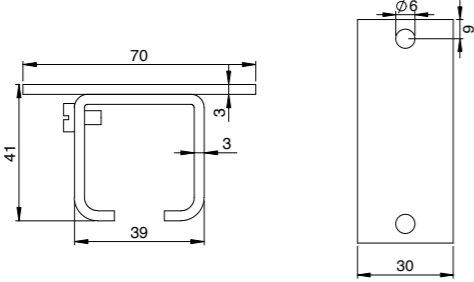

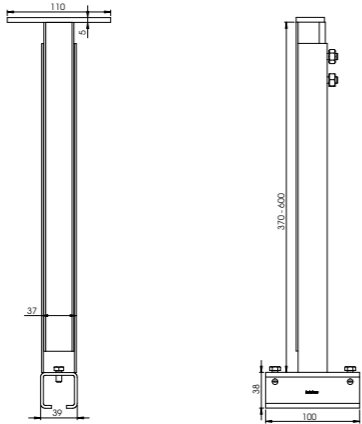

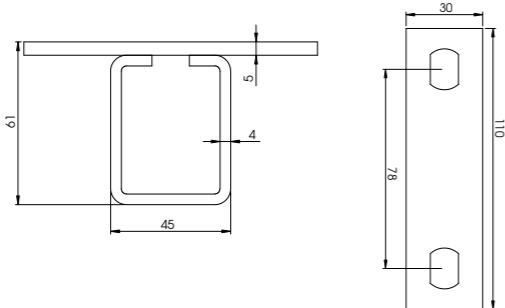
### Specifications


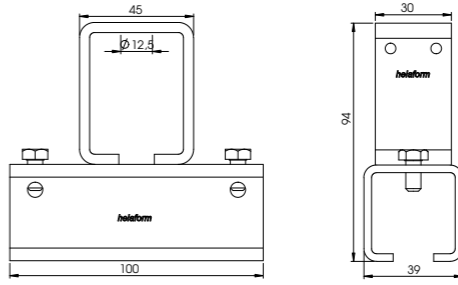
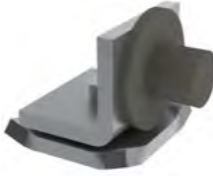
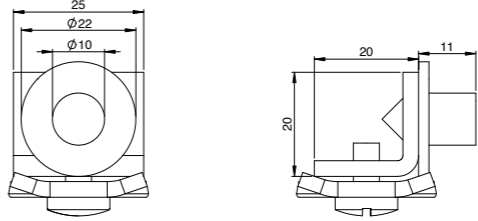

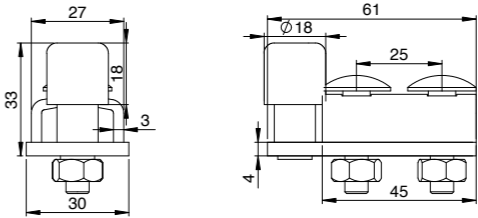

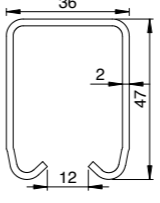

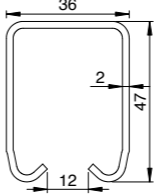

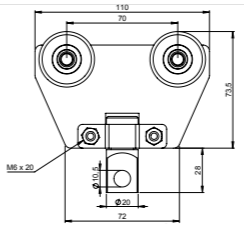
Bracket interval (max.) 1000 mm



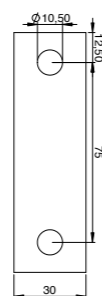
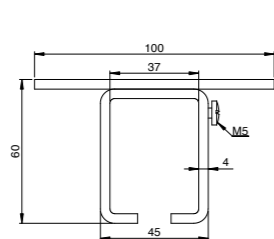
### SERIES 100 GALVANIZED STEEL TRACKS AND SWITCHES

		CODE
		K-100 2 m 30017 K-100 3 m 30013 K-100 4 m 30014 K-100 6 m 30016
		<b>Curve K-100, 90°</b> Radius 600 mm. <i>*NOTE! The radius of the curve may vary ± 20 mm due to productional variations.</i>
		<b>Left rail switch</b> Complete For track K-100. <i>Not a stock item. Queries by project.</i>
		<b>Right rail switch</b> Complete For track K-100. <i>Not a stock item. Queries by project.</i>
		<b>Y-rail switch</b> Casting only For track K-100. <i>Not a stock item. Queries by project.</i>
		<b>Three-way rail switch</b> Complete For track K-100. <i>Not a stock item. Queries by project.</i>
		<b>Underpass module</b> For track K-100. <i>Not a stock item. Queries by project.</i>

HANGERS		CODE
		<p><b>LP-100/steel</b> For track K-100. (Capacity 60 / pcs)</p> <p>33060</p>
		<p><b>LP-100/nylon</b> For track K-100. (Capacity 60 / pcs)</p> <p>33059</p>
		<p><b>LPU-100/steel</b> With guide wheels. For track K-100. (Capacity 60 / pcs)</p> <p>33042</p>
		<p><b>LPU-100/nylon</b> With guide wheels. For track K-100. (Capacity 60 / pcs)</p> <p>33054</p>
SOFFIT BRACKETS		
		<p><b>KKKL-100</b> Joint bracket. For track K-100.</p> <p>30080</p>
		<p><b>KKS-100 (370 - 600 mm)</b> Adjustable bracket. For track K-100.</p> <p>33080</p>
		<p><b>KKS-100 (601 - 1000 mm)</b> Adjustable bracket. For track K-100.</p> <p>33081</p>
		<p><b>KKS-103/YP</b> Upper part. Adjustable with threaded bar (not included). Use together with 33083. For track K-100.</p> <p>33082</p>

SOFFIT BRACKETS		CODE
		<p><b>KKS-104/AP</b> Lower part. Adjustable with threaded bar (not included). Use together with 33082. For track K-100.</p> <p>33083</p>
ACCESSORIES		
		<p><b>Stop KP-75/100</b> Stops the hanger inside the track. For track K-100 and switches.</p> <p>20110</p>
		<p><b>Stop KP-100/150</b> Stops the hanger inside the track. For track K-150. For track K-100 and switches.</p> <p>40110</p>
SERIES 150 GALVANIZED STEEL TRACKS		
		<p><b>K-150 2 m</b></p> <p>40012</p>
		<p><b>K-150 3 m</b></p> <p>40013</p>
		<p><b>K-150 4 m</b></p> <p>40014</p>
		<p><b>K-150 5 m</b></p> <p>40015</p>
		<p><b>K-150 6 m</b></p> <p>40016</p>
		<p><b>Curve K-150, 90°</b> Radius 600 mm. *NOTE! The radius of the curve may vary ± 20 mm due to productional variations.</p> <p>40033</p>
HANGER		CODE
		<p><b>KVL P-150/steel</b> For track K-150. (Capacity 50 / pcs)</p> <p>40058</p>

## SOFFIT BRACKETS



**KKK-150**  
For track K-150.  
*Note! Without joint screws.*

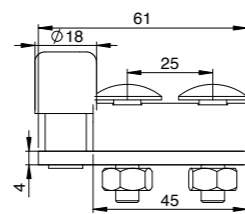
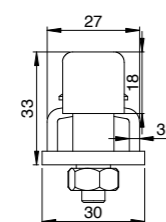
CODE

40084

**KKKL-150**  
Joint bracket.  
For track K-150.

40085

## ACCESSORIES

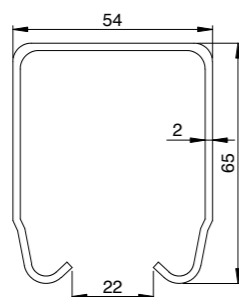


**Stop KP-100/150**  
Stops the hanger inside the track.  
For track K-150.  
For track K-100 and switches.

40110

## SERIES 300/500

### GALVANIZED STEEL TRACKS



K-300 2 m

50012

K-300 3 m

50013

K-300 4 m

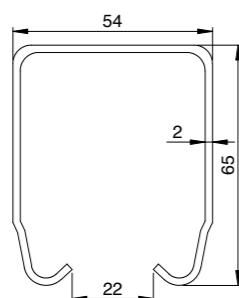
50014

K-300 5 m

50015

K-300 6 m

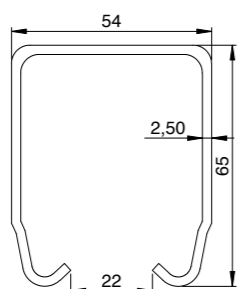
50016



**Curve K-300, 90°**

Radius 600 mm.  
*\*NOTE! The radius of the curve may vary ± 20 mm due to production variations.*

50033



K-500 2 m

50022

K-500 3 m

50023

K-500 4 m

50024

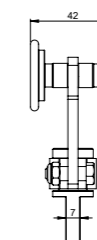
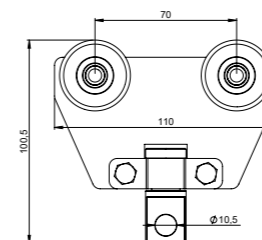
K-500 5 m

50025

K-500 6 m

50026

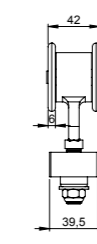
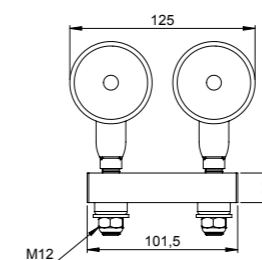
## HANGERS



**KVL-300/500/steel**  
For tracks K-300 and K-500.  
(Capacity 100 / pcs)

CODE

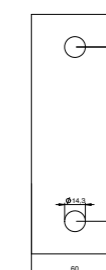
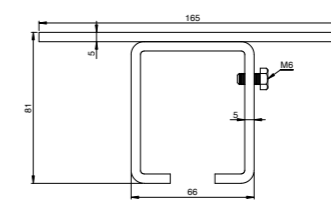
50063



**KV-300/500/steel**  
For tracks K-300 and K-500.  
(Capacity 150 kg / pcs)

50064

## SOFFIT BRACKETS



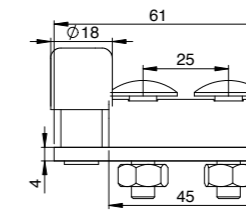
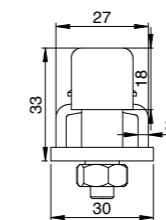
**KKK-300/500**  
For tracks K-300 and K-500.  
*Note! Without joint screws.*

50084

**KKKL-300/500**  
Joint bracket.  
For tracks K-300 and K-500.

50085

## ACCESSORIES



**Stop KP-300/500**  
Stops the hanger inside the track.  
For tracks K-300 and K-500.

50110



## CABLE TROLLEY SYSTEMS

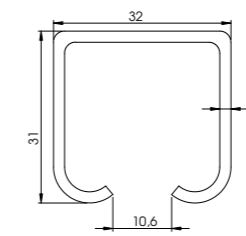
### Applications

Flat and round cables and hoses can be carried by using cable trolleys with the series 100 sturdy track profile. Such carriers are used for different crane installations such as **jib** and **bridge cranes**, **studio lighting** and **washing facilities**. By joining different tracks with track joints and using track curves, the sliding action can be arranged according to the desired floor plan and use.

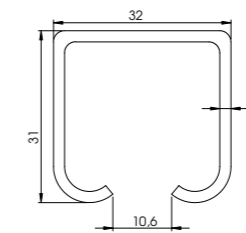
### Specifications

Bracket interval (max.) 1000-1500 mm

### GALVANIZED STEEL TRACKS

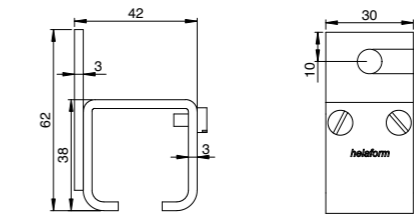


CODE	
K-100 2 m	30017
K-100 3 m	30013
K-100 4 m	30014
K-100 6 m	30016



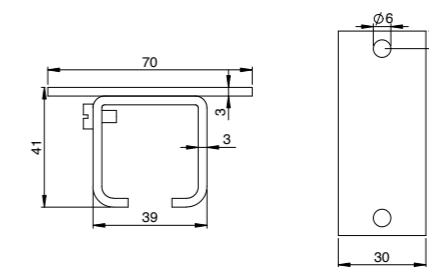
<b>Curve K-100, 90°</b> Radius 600 mm. *NOTE! The radius of the curve may vary ± 20 mm due to productional variations.	30033
--	-------

### WALL BRACKET

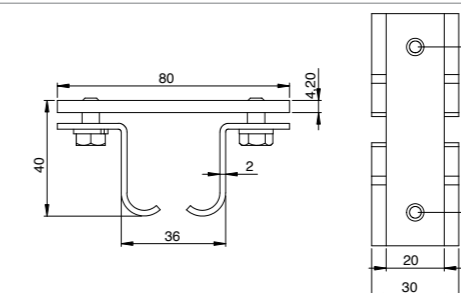


<b>SKL-100</b> Joint bracket. For track K-100.	30070
--	-------

### SOFFIT BRACKETS

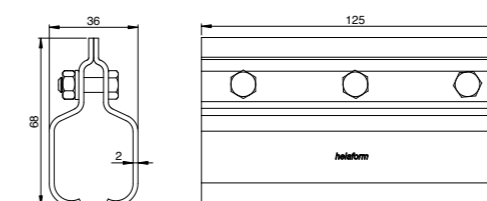


<b>KKKL-100</b> Joint bracket. For track K-100.	30080
---	-------



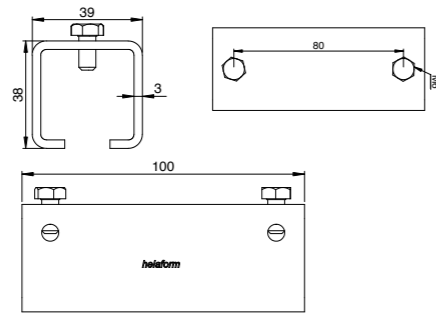
<b>KKK-100/TT</b> For "I" beams. For track K-100.	30081
---	-------

### TRACK JOINTS



<b>LK-100</b> Dismountable jointing sleeve. For track K-100. Not suitable for track with soffit mounting.	30090
--	-------

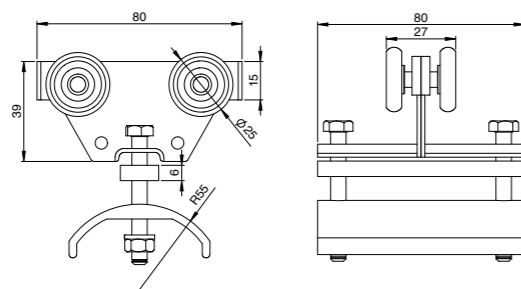
## TRACK JOINTS



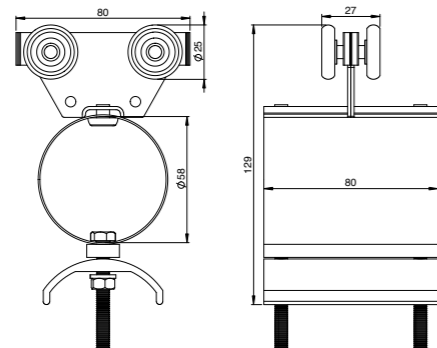
**LKU-100/100 mm**  
For track K-100.      30091

**LKU-100/100 mm, for welding**  
For track K-100.      30093

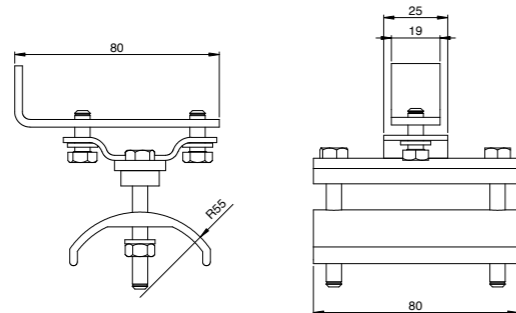
## ACCESSORIES FOR FLAT CABLES



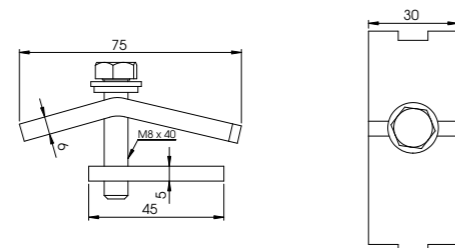
**Cable trolley KVL-40**  
For track K-100.  
(Capacity 50 kg / pcs)      35031



**Towing trolley KV-100**  
For track K-100.  
(Capacity 50 kg / pcs)      35025

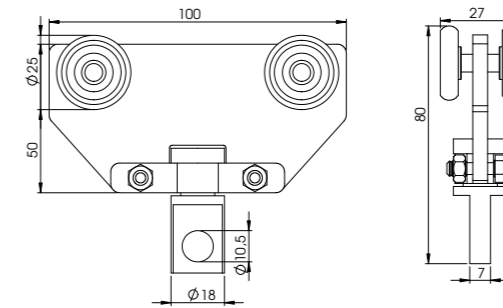


**End clamp KVLK-100**  
For track K-100.  
(Capacity 50 kg / pcs)      35024

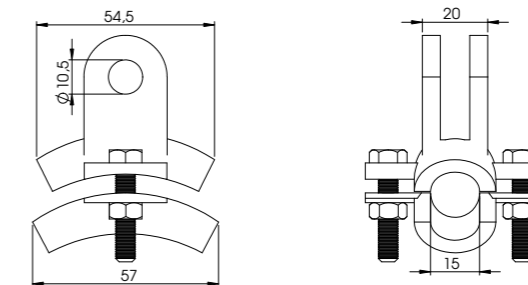


**Attachment bracket KVKK-100**  
For track K-100.  
(Capacity 50 kg / pcs)      35021

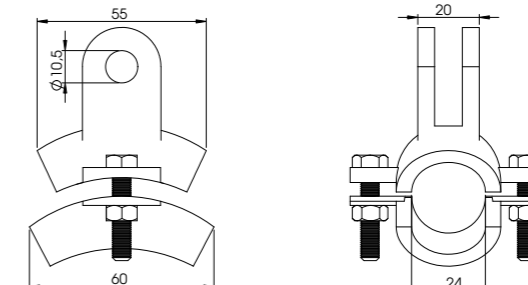
## ACCESSORIES FOR ROUND CABLES



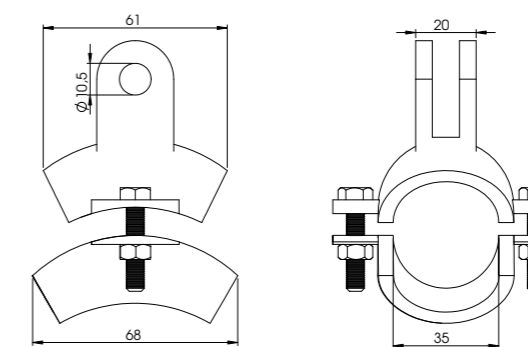
**Hanger KVLP-100/steel**  
Without cable holder.  
For track K-100.  
(Capacity 50 kg / pcs)      35023



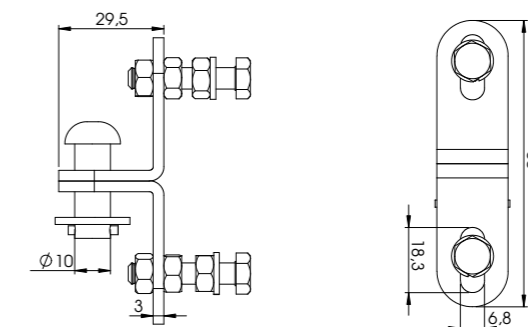
**Cable/hose holder A,**  
**Ø 8-15 mm**  
Aluminium.  
Used with hanger KVLP-100/  
steel.  
(Capacity 50 kg / pcs)      35010



**Cable/hose holder B,**  
**Ø 16-24 mm**  
Aluminium.  
Used with hanger KVLP-100/  
steel.  
(Capacity 50 kg / pcs)      35011



**Cable/hose holder C,**  
**Ø 25-35 mm**  
Aluminium.  
Used with hanger KVLP-100/  
steel.  
(Capacity 50 kg / pcs)      35012



**Spacer for cable carriers**  
**KWP-100**  
Used to connect various cable  
holders in a chain under one  
hanger.  
Used with hanger KVLP-100/  
steel.      35022



## ACCORDION DOOR SYSTEMS

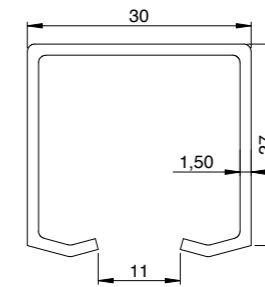
### Applications

Helaform's accordion door systems offer a variety of solutions for your project requirements. These systems are easy to install, light to use and can easily fit into small spaces. These products are widely used as **room dividers, closets and foyers** in **apartments, schools, offices, and other commercial spaces.**

### SERIES 75

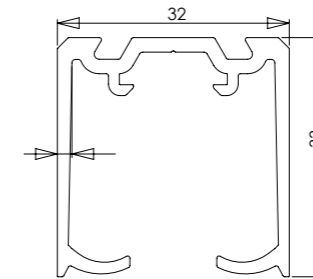
#### GALVANIZED STEEL TRACKS

#### CODE

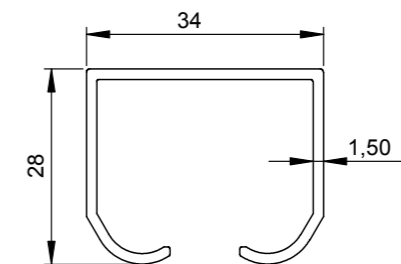


K-75 2 m	20001
K-75 2.4 m	20010
K-75 3 m	20003
K-75 4 m	20004
K-75 6 m	20006

#### ALUMINIUM TRACKS

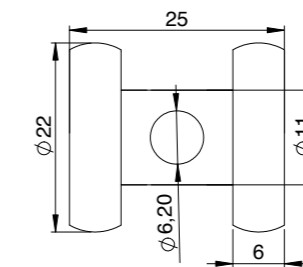


K-75 Flow 2.1 m (Al)	20201
K-75 Flow 2.4 m (Al)	20205
K-75 Flow 3 m (Al)	20203
K-75 Flow 4 m (Al)	20204
K-75 Flow 6 m (Al)	20206

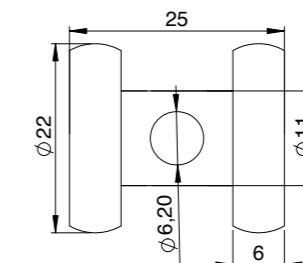


K-75 Junior 2 m (Al)	20017
K-75 Junior 2.4 m (Al)	20019
K-75 Junior 3 m (Al)	20020

#### HANGERS




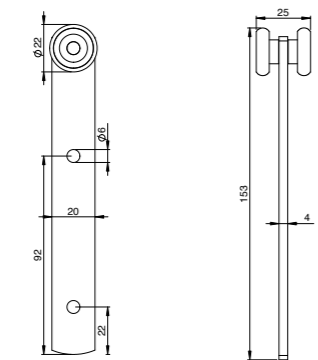
<b>POP-75/steel</b> For tracks K-75, K-75 Flow and K-75 Junior. (Capacity 30 kg / pcs)	20051
--	-------


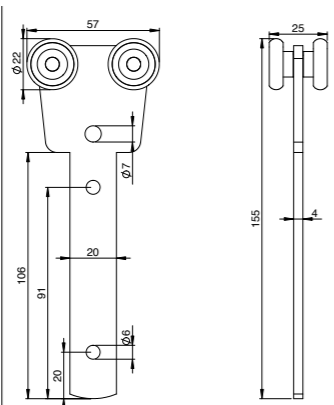


<b>POP-75/nylon</b> For tracks K-75, K-75 Flow and K-75 Junior. (Capacity 30 kg / pcs)	20050
--	-------


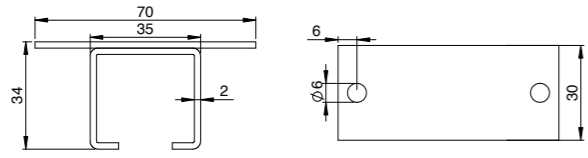
# ACCORDION DOOR


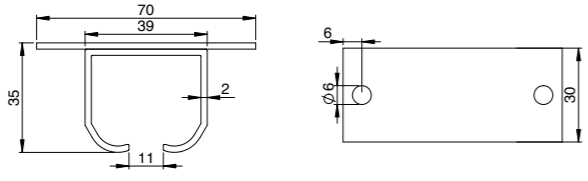
## HANGERS

		<b>PO/2-75/nylon</b> For tracks K-75, K-75 Flow and K-75 Junior. (Capacity 20 kg / pcs)	20048
---	---	---	-------


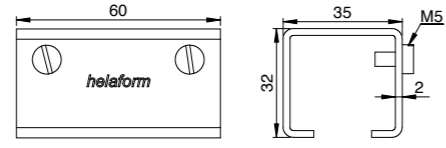
		<b>PO/4-75/nylon</b> For tracks K-75, K-75 Flow and K-75 Junior. (Capacity 40 kg / pcs)	20049
---	--	---	-------

## SOFFIT BRACKET

		<b>KKK-75/steel</b> For track K-75.	20080
---	---	--	-------

		<b>KKK-75/Junior</b> For track K-75 Junior.	20081
---	---	--	-------


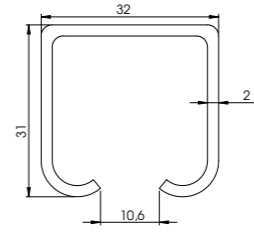
## TRACK JOINT

		<b>LKU-75/steel</b> For tracks K-75.	20090
---	---	---	-------


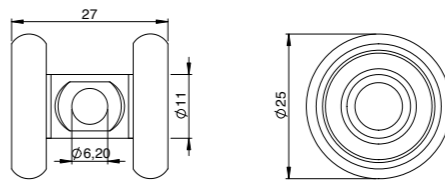
# ACCORDION DOOR


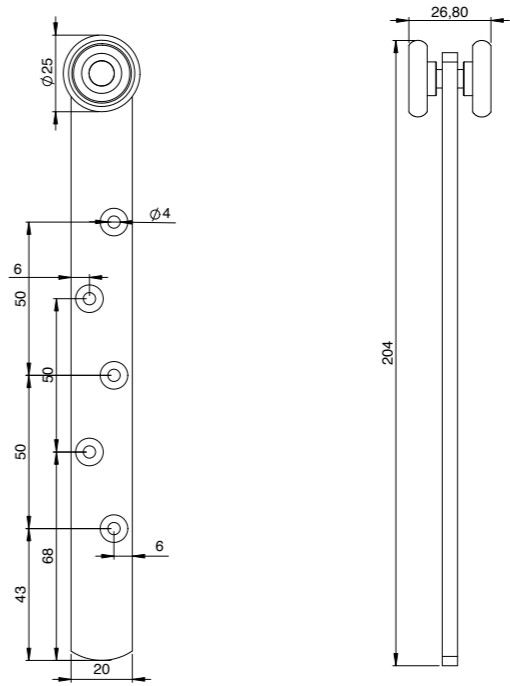
## SERIES 100

### GALVANIZED STEEL TRACKS

		<b>K-100 2 m</b>	30017
		<b>K-100 3 m</b>	30013
		<b>K-100 4 m</b>	30014
		<b>K-100 6 m</b>	30016

## HANGERS

		<b>POP-100/nylon</b> For track K-100. (Capacity 30 kg / pcs)	30066
--	--	--	-------

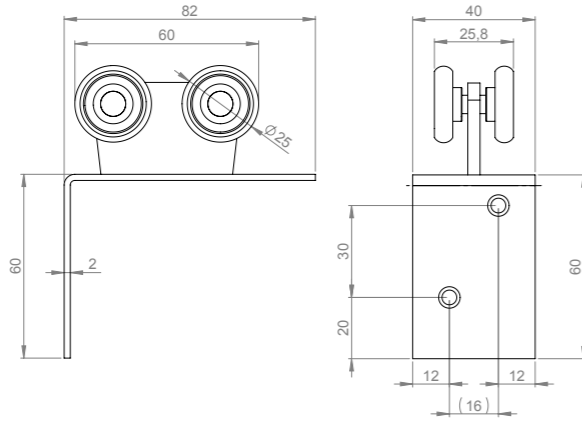
		<b>PO/2-100/K</b> For track K-100. (Capacity 30 kg / pcs)	30062
---	---	---	-------



# ACCORDION DOOR

## HANGERS

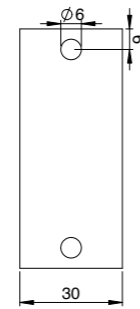
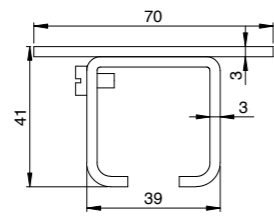
## CODE



**PO/4-100/K**  
For track K-100.  
(Capacity 60 kg / pcs)

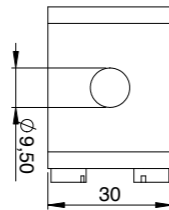
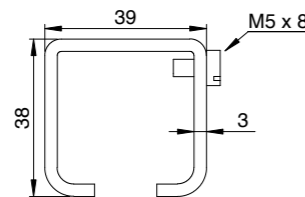
30069

## SOFFIT BRACKETS



**KKKL-100**  
Joint bracket.  
For track K-100.

30080



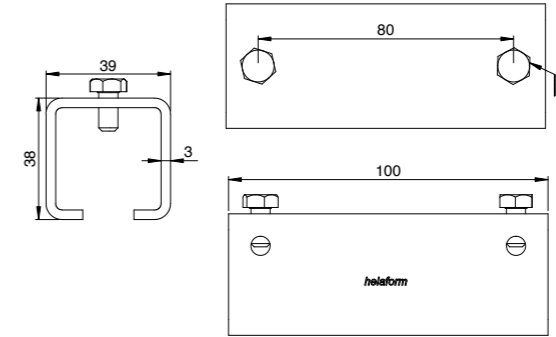
**KKL-100**  
Joint bracket.  
For track K-100.

30083

# ACCORDION DOOR

## TRACK JOINTS

## CODE

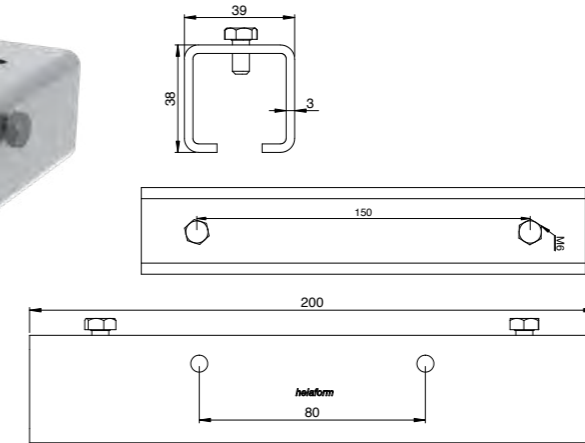


**LKU-100/100 mm**  
For track K-100.

30091

**LKU-100/100 mm, for welding**  
For track K-100.

30093



**LKU-100/200 mm**  
For track K-100.

30092

**LKU-100/200 mm, for welding**  
For track K-100.

30094

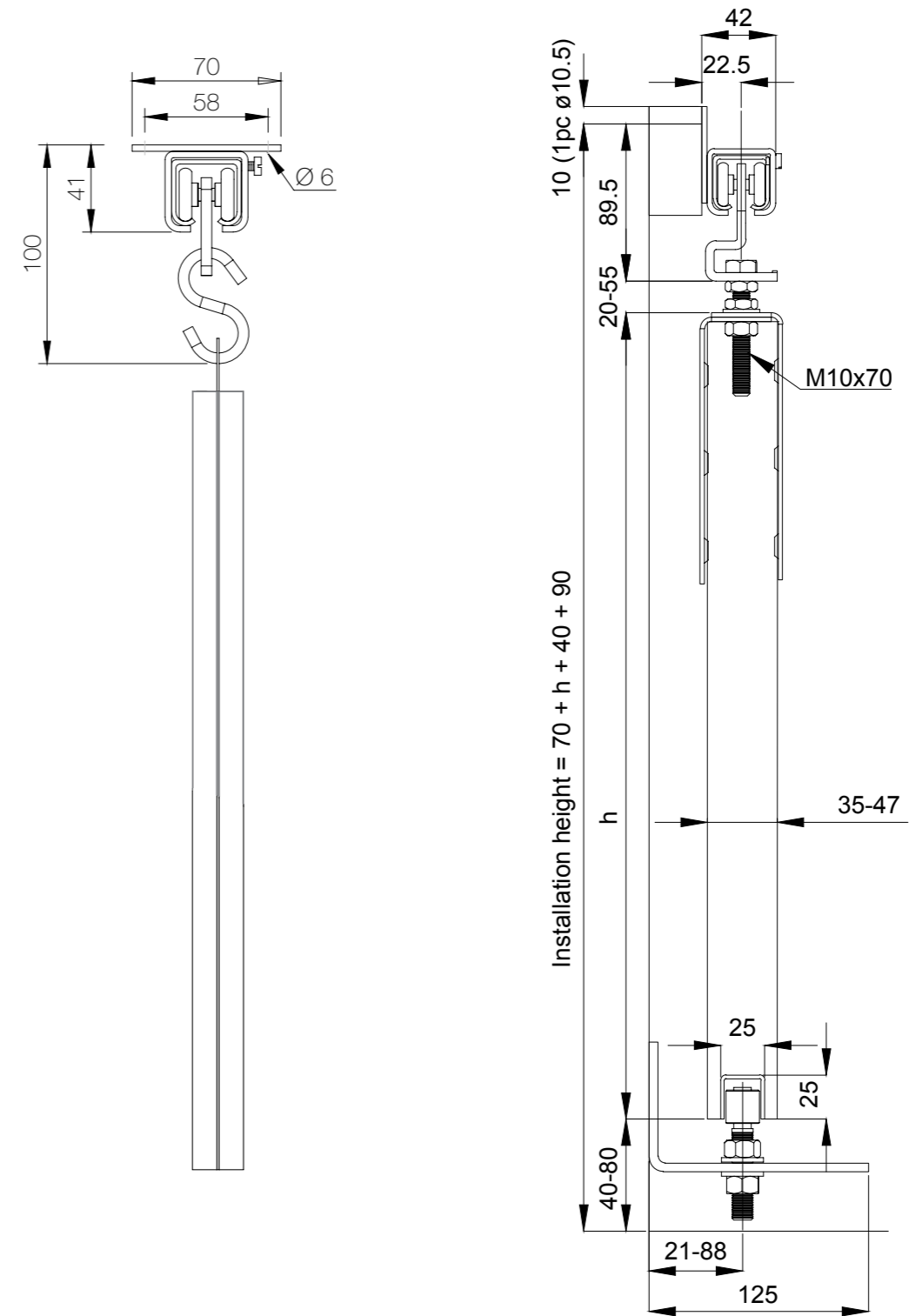


**STAINLESS STEEL**




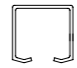
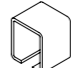
# STAINLESS STEEL SERIES 100-500

Helaform offers a complete range of stainless-steel sliding solutions, which are manufactured in both AISI 304 stainless steel and AISI 316 L acid-proof grades. These corrosion-resistant and acid-proof products suit the most demanding sliding applications, be it in **marine environments, petrochemical plants, the food industry, the pharmaceutical industries** or **hospitals**.


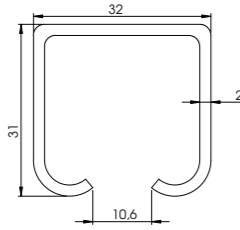

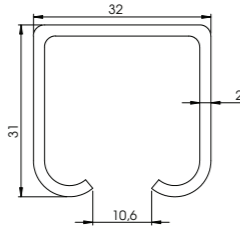


## Specifications


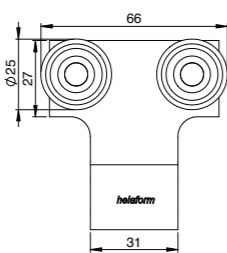
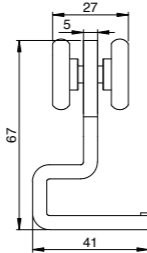

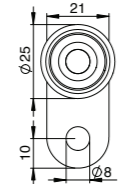
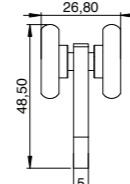

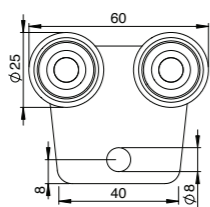
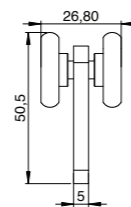
Weight (max.capacity)	500 kg / door
Bracket interval (max.)	1000 mm

-  Hangers with AISI 304 / 316 L steel wheels. Lubricated for life bearings.
-  All tracks are AISI 316 L-quality.
-  All parts are AISI 304 or 316 L-quality.


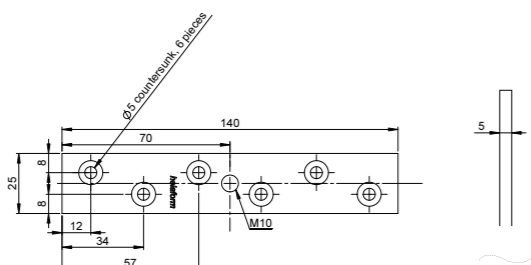
**SERIES 100, AISI 316 L**  
**STEEL TRACKS** CODE

		<b>K-100 3 m, AISI 316 L</b>	30111
		<b>K-100 6 m, AISI 316 L</b>	30112
		<b>Curve K-100, 90°, AISI 316 L</b> Radius 600 mm Note! The radius of the curve may vary +/- 20 mm due to productional variations.	30113


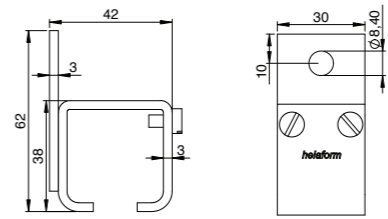

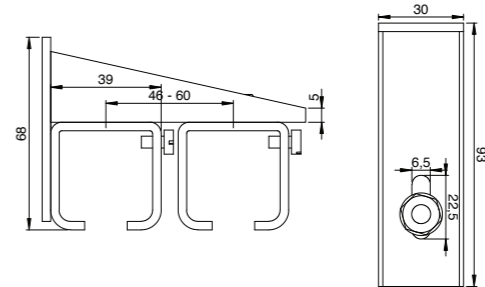

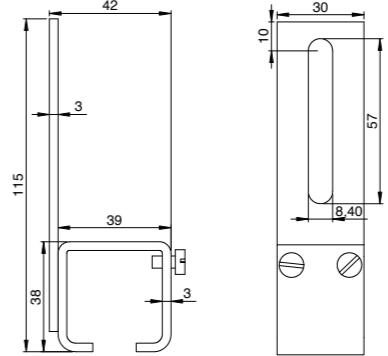
**HANGERS**

			<b>MPS-100, AISI 316 L</b> For track K-100. (Capacity 120 kg / pair)	30114
			<b>VP/2-100, AISI 316 L</b> For curtain. For track K-100. (Capacity 30 kg / pcs)	30123
			<b>VP/4-100, AISI 316 L</b> For curtain. For track K-100. (Capacity 50 kg / pcs) (Used at the ends of the curtain)	30134


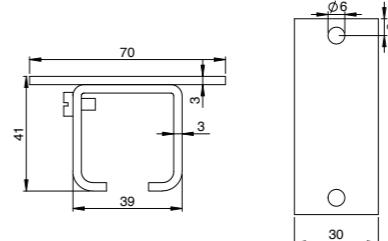

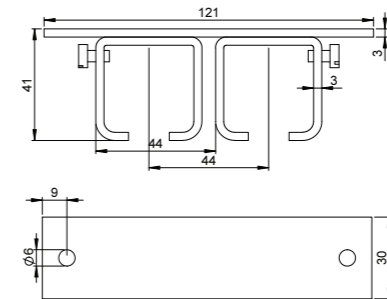
**PLATE**

		<b>PLP-100/150, M10, AISI 316 L</b> Top fixing. For hangers MPS-100 and MPS-150. (Door thickness min. 25 mm)	40102
---	---	---	-------


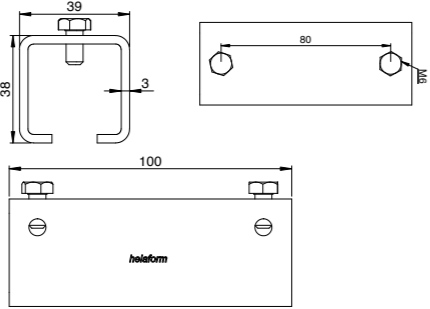
**WALL BRACKETS** CODE

		<b>SKL-100, AISI 316 L</b> Joint bracket. For track K-100. (Door thickness max 40 mm)	30116
		<b>SKL/2-100, AISI 316 L</b> Joint bracket. For double track. For track K-100. (Door thickness max 40 mm)	30117
		<b>SKL-100, AISI 316 L</b> Joint bracket, adjustable. For track K-100. (Door thickness max 40 mm)	30118

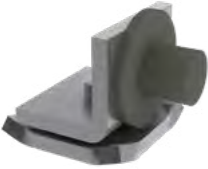
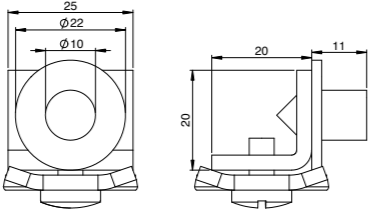
**SOFFIT BRACKETS**


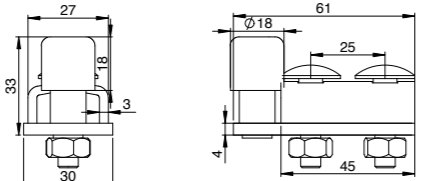
		<b>KKKL-100, AISI 316 L</b> Joint bracket. For track K-100.	30119
		<b>KKKL/2-100, AISI 316 L</b> Joint bracket. For double track. For track K-100. (Door thickness max. 40 mm)	30120

## TRACK JOINT

 	<p><b>LKU-100/100 mm, AISI 316 L</b> For track K-100.</p>	<p>30121</p>
---	---	--------------


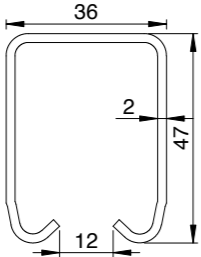
## ACCESSORIES

 	<p><b>Stop KP-75/100, AISI 316 L</b> Stops the hanger inside the track. For track K-100.</p>	<p>30122</p>
---	--	--------------


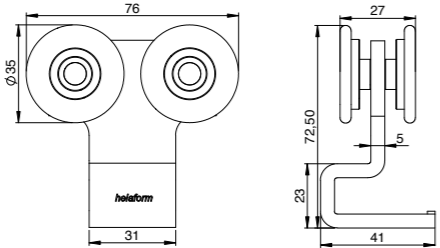
 	<p><b>Stop KP-100/150, AISI 316 L</b> Stops the hanger inside the track. For tracks K-100 and K-150.</p>	<p>40112</p>
---	--	--------------

## SERIES 150, AISI 304 / AISI 316 L


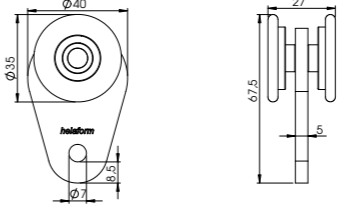

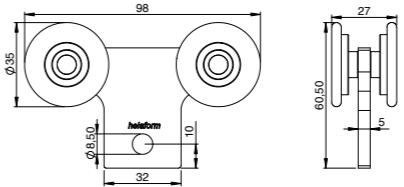
### STEEL TRACKS

 	<p><b>K-150 3 m, AISI 316 L</b></p>	<p>40023</p>
	<p><b>K-150 6 m, AISI 316 L</b></p>	<p>40027</p>


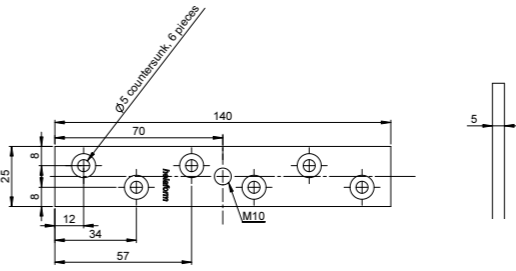
## HANGERS

 	<p><b>MPS-150, AISI 304</b> For track K-150. (Capacity 200 kg / pair)</p>	<p>40050</p>
---	---	--------------


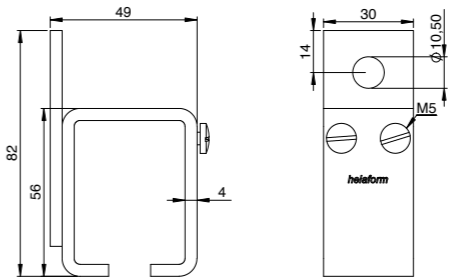
## HANGERS

 	<p><b>VP/2-150, AISI 304</b> For curtain. For track K-150. (Capacity 50 kg / pcs)</p>	<p>40063</p>
 	<p><b>VP/4-150, AISI 304</b> For curtain. For track K-150. (Capacity 100 kg / pcs) (Used at the ends of the curtain)</p>	<p>40064</p>


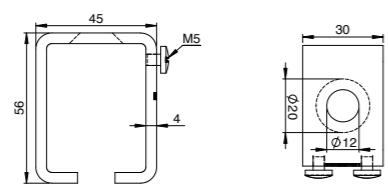
## PLATE


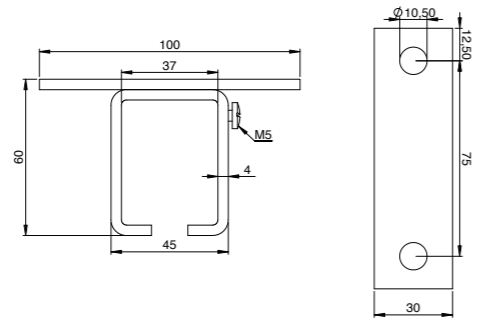
 	<p><b>PLP-100/150, M10, AISI 316 L</b> Top fixing. For hangers MPS-100 and MPS-150. (Door thickness min. 25 mm)</p>	<p>40102</p>
---	---	--------------

## WALL BRACKETS


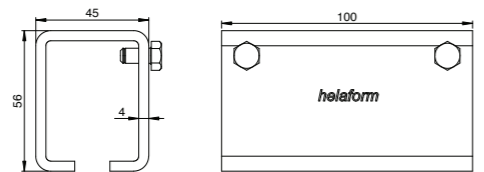
 	<p><b>SKL-150, AISI 304</b> Joint bracket. For track K-150. (Door thickness min. 45 mm)</p>	<p>40077</p>
---	---	--------------

**SOFFIT BRACKETS** CODE

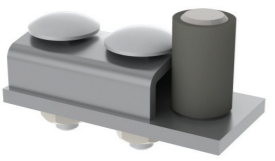
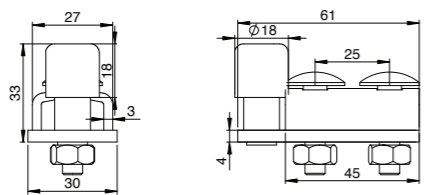
		<p><b>KKL-150, AISI 304</b> Joint bracket. For track K-150.</p>	40092
---	---	---	-------

		<p><b>KKKL-150, AISI 304</b> Joint bracket. For track K-150.</p>	40094
---	--	--	-------

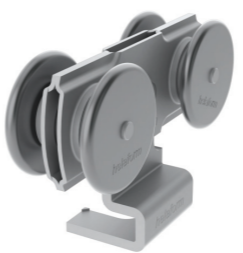
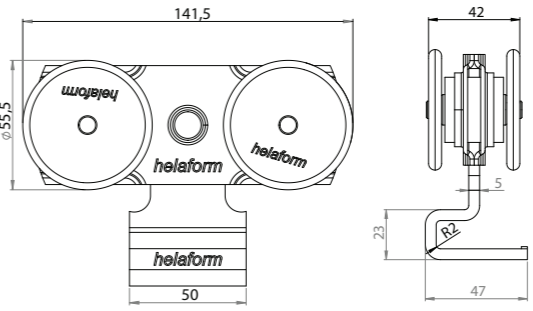
**TRACK JOINT**

		<p><b>LKU-150/100 mm, AISI 304</b> For track K-150.</p>	40095
---	---	---	-------


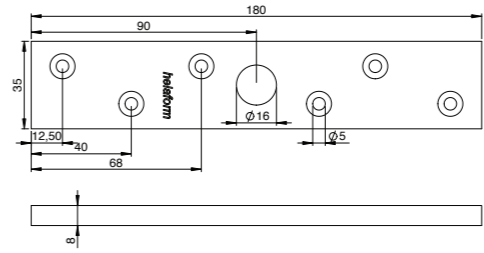
**ACCESSORIES**

		<p><b>Stop KP-100/150, AISI 316 L</b> Stops the hanger inside the track. For tracks K-100 and K-150.</p>	40112
---	---	--	-------


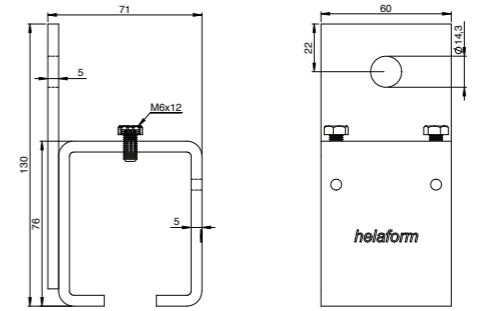
**SERIES 300/500, AISI 304 / AISI 316 L**

<p><b>HANGER</b></p> 		<p><b>MPS-300/500, AISI 304</b> For tracks K-300 and K-500. (Capacity 300 kg / pair or 500 kg / pair)</p>	50053
--	---	---	-------


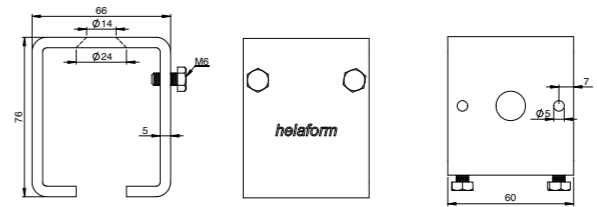
**PLATE**

		<p><b>PLP-300/500, M16, AISI 304</b> Top fixing. For hanger MPS-300/500. (Door thickness min 35 mm)</p>	50105
---	--	---	-------

**WALL BRACKETS**

		<p><b>SKL-300/500, AISI 304</b> Joint bracket. For tracks K-300 and K-500. (Door thickness max 70 mm)</p>	50079
---	---	---	-------

**SOFFIT BRACKETS**

		<p><b>KKL-300/500, AISI 304</b> Joint bracket. For tracks K-300 and K-500.</p>	50095
---	---	--	-------

**SOFFIT BRACKETS** CODE

	<p><b>KKKL-300/500, AISI 304</b> Joint bracket. For tracks K-300 and K-500.</p>	<p>50097</p>
--	---	--------------

	<p><b>KKL-300/500/M12 x 120, AISI 304</b> Joint bracket. With bolt. For tracks K-300 and K-500.</p>	<p>50093</p>
--	---	--------------

**ACCESSORIES**

	<p><b>Stop KP-300/500, AISI 304</b> Stops the hanger inside the track. For tracks K-300 and K-500.</p>	<p>50112</p>
--	--	--------------

**FOR ALL STAINLESS STEEL SERIES**

<b>ACCESSORIES</b>		<b>CODE</b>
	<p><b>S-hook S-50/5.5 mm, AISI 316 L</b> Used with all the curtain hangers. (ø 5 mm)</p>	<p>30124</p>

**FOR ALL STAINLESS STEEL SERIES**

**BOTTOM GUIDES**

	<p><b>AOK 3 m, AISI 316 L</b> Bottom guide channel. For ø 19 mm bottom guides. Usually attach to the bottom of the door.</p>	<p>50310</p>
--	--	--------------

	<p><b>AO-12, AISI 304</b> ø 19 mm. Wall fixing.</p>	<p>50325</p>
--	---	--------------

	<p><b>AOL-12, AISI 316 L</b> ø 19 mm. Floor fixing.</p>	<p>50339</p>
--	---	--------------

Helaform continuously develops and improves its products as part of our business strategy. As a result, the product **MAY HAVE DEVIATIONS** in relation to the dimensions and images drawn in this catalogue.

We are not responsible for printing errors and reserve the right to correct them without notice.

Read detailed warranty instructions and tolerances on the Helaform website at:

<https://helaform.com/en/10-year-limited-warranty/>

**helaform<sup>®</sup>**



# helaform®

Helaform Oy, Sienikuja 6, 00760 Helsinki, Finland

[www.helaform.com](http://www.helaform.com)

+358 9 388 3033

[myynti@helaform.fi](mailto:myynti@helaform.fi)

