

Shower Enclosures

architectural hardware for glass



Hinge Systems

GX Hinge System

Manufactured from selected brass billet which is drop forged, polished and plated. All hinge pins and clamping screws are Stainless Steel and the gaskets supplied are water impenetrable.



GX680.1B Glass to Wall Hinge



GX680.2 180° Glass to Glass Hinge



GX680.3 135° Glass to Glass Hinge



GX680.4 90° Glass to Glass Hinge

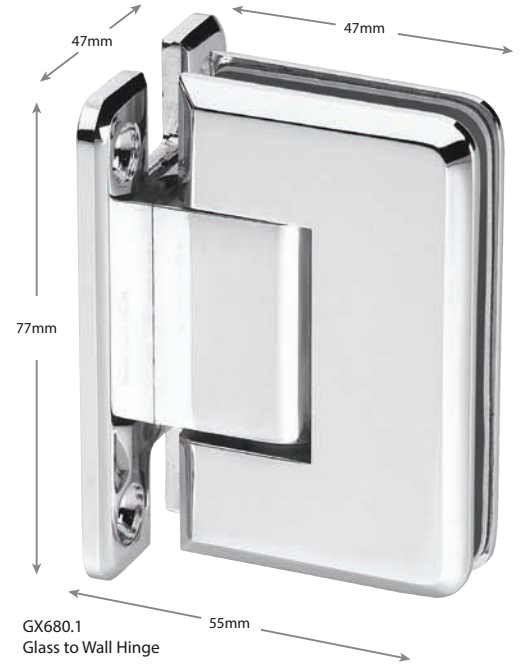
GX680 (Polished Chrome only)

6 - 8mm glass:

Maximum door weight /width

using 2 hinges - 27kg / 700mm

using 3 hinges - 40kg / 800mm



GX680.1
Glass to Wall Hinge

GX991 (Polished Chrome or Satin Chrome)

8 - 10mm glass:

using 2 hinges 40kg / 800mm

using 3 hinges 50kg / 900mm



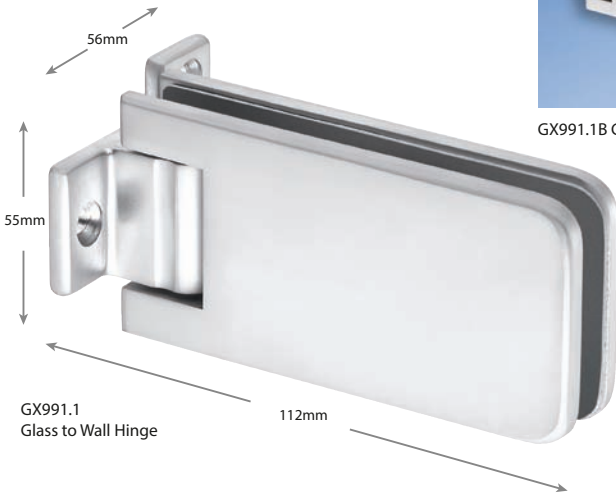
GX991.1B Glass to Wall Hinge



GX991.2 180° Glass to Glass Hinge



GX991.3 135° Glass to Wall Hinge



GX991.1
Glass to Wall Hinge



GX991.4 90° Glass to Glass Hinge



GX991.5 180° Fold Back Glass to Glass Hinge



GX992.1B Glass to wall Hinge



GX992.2 180° Glass to Glass Hinge



GX992.3 135° Glass to Glass Hinge



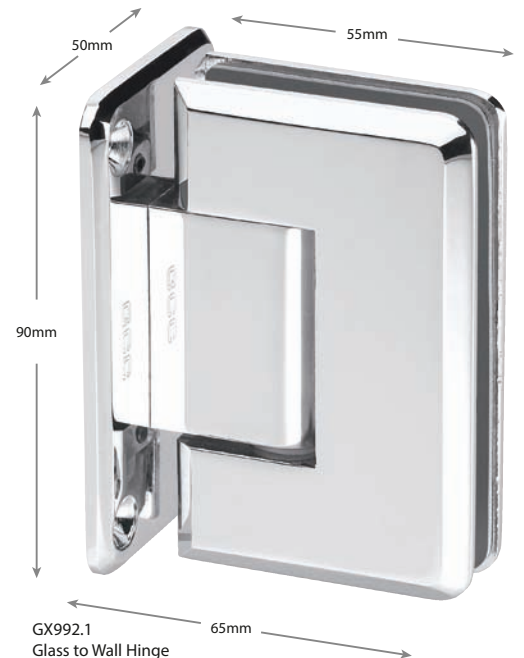
GX992.4 90° Glass to Glass Hinge

GX992 (Polished or Satin Chrome)

10 - 12mm glass:

using 2 hinges 37kg / 800mm

using 3 hinges 55kg / 900mm



GX992.1
Glass to Wall Hinge

G-TECH Hinge System

Manufactured from Solid Stainless steel 25mm bar Ø (grade 304) with contemporary satin finish. Whilst these hinges are not self-centering there are matching magnetic catches and connectors available (see web site for more details). The matching knob set is KB3040. All hinge pins and clamping screws are Stainless Steel and the gaskets supplied are water impenetrable.

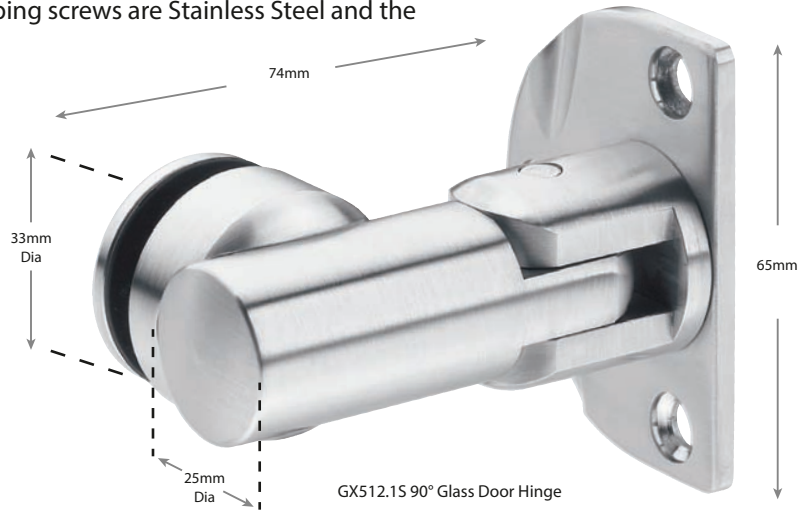
G-TECH for 8mm, 10mm, 12mm glass
 Maximum door weight / width using 2 hinges
 - 40kg / 800mm, using 3 hinges - 55kg / 950mm.



GX512.2 180° Glass to Glass Hinge



GX512.4 90° Glass to Glass Hinge



GX512.1S 90° Glass Door Hinge

SERIES 54 Hinge System

Manufactured by leading brand Sadev, this Polished Chrome range of hinges offers a countersunk inner button giving a flush inner door and panel which looks great and aids cleaning. The wall mounting plates of both the hinges and clamps are fixed outside the shower enclosure and have clip on cover plates. The Series 54 hinges are not self-centering and require magnetic seals. All hinge pins and clamping screws are Stainless Steel and the gaskets supplied are water impenetrable.

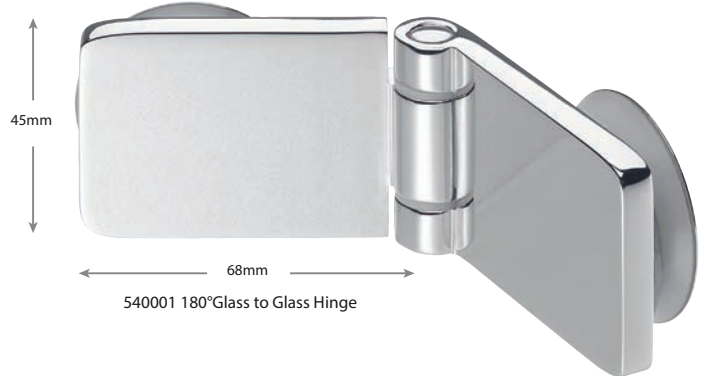
Series 54 Hinge for 8mm & 10mm glass. Maximum door weight / width using 2 hinges 50kg / 900mm



540004 Wall Mount Clamp



540006 Glass to Wall Hinge



540001 180° Glass to Glass Hinge

Support Bars

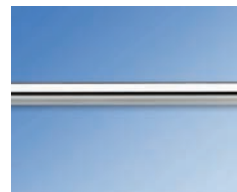
Our reinforcement support bars are recommended for the stability of fixed glass panels. All tubular bars, connectors and supports are manufactured from grade 304 Stainless Steel and are available in Polished or Satin finishes. No drilling is required in the glass (except RB1220C). All components are suitable for 6mm, 8mm, 10mm and 12mm glass.



RB1235 Adjustable Corner Support



Support Bar Kit – inc RB1210 wall mount, RB304 1200mm rail, RB1220B end support.



RB304 Reinforcement Bar – 1200mm and 3000mm x 19mm



RB1210 Wall Support



RB1214 Door Stop



RB1220A Cross Support with 360° Swivel



RB1220C Through Glass Connector



RB1220B End Support with 360° Swivel



RB1211A Intermediate Support with 360° Swivel



RB1221 Reinforcement Bar Connector



RB1233 3 Way Connector



RB1213 Vertical Connector



RB1230A Wall Support 20° Angle



RB1230B Wall Support 45° Angle

GX Glass Clamps

Our GX glass clamps for fixed panels are manufactured from grade 304 Stainless Steel. They come complete with Stainless Steel clamping screws and water impenetrable gaskets. They are available in two finishes Polished or Satin Stainless Steel and are designed to complement the GX hinge systems. The G Tech and 54 series hinge systems have their own matching clamps. Shelf clamps are also available please visit web site for full details.



GX45.1 Wall Mount Glass Clamp



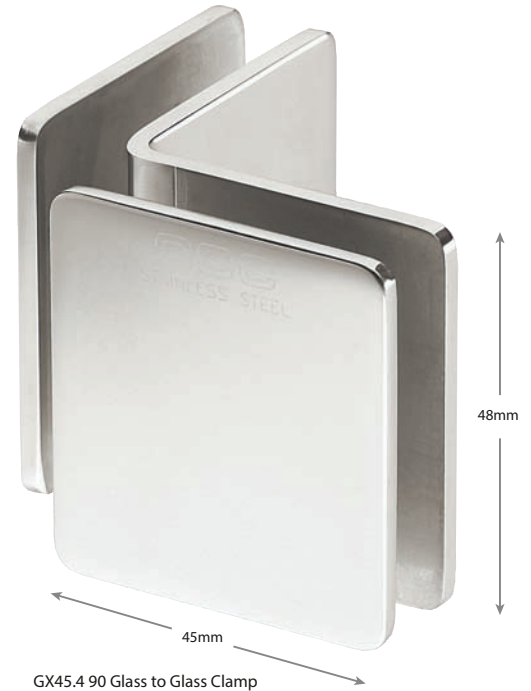
GX45.1L Wall Mount Glass Clamp



GX45.2 180 Glass to Glass Clamp



GX45.3 135 Glass to Glass Clamp



GX45.4 90 Glass to Glass Clamp

Glazing Channels & Thresholds

Our range of glazing channels come in Aluminium or Stainless Steel finishes. They are designed to a high quality to ensure a professional looking installation is achieved at all times. Both conventional and dry glaze options are available.

Glazing Channel	Height mm	Width mm	Length mm	Glass thickness mm	Finish
GC14	20	14	2200	8	Satin or Polished Stainless
GC15A	15	15	2500	8	Polished Aluminium
GC16A	17	15	2500	10	Polished Aluminium
GC17	20	17	2200	10	Satin or Polished Stainless
DG08 / DG10* Dry glaze supplied with clear vinyl gaskets.	22	30	2500	8 - 10	Polished Aluminium
DG10/12 Dry Glaze* Dry glaze supplied with seals.	17	23	3000	10 - 12	Silver Anodised
Shower Door Threshold	7	20	1000		Satin or Polished Stainless

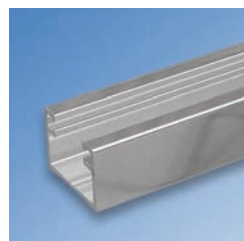
*End caps are available.



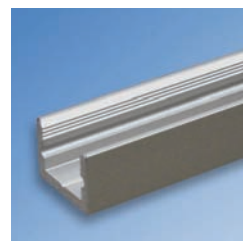
GC14 & GD17 Polished Stainless Steel



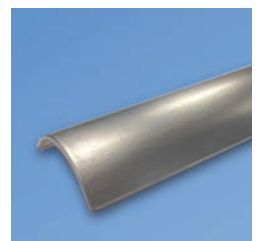
GC15A & GC16A Polished Aluminium



DG08 - 8mm & DG10 - 10mm polished Aluminium



PDG10 - 10mm & PDG12 - 12mm Silver Anodised



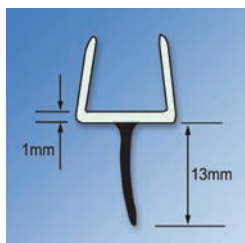
TH - 01 Shower door threshold Satin or Polished Stainless Steel

Shower Door Seals

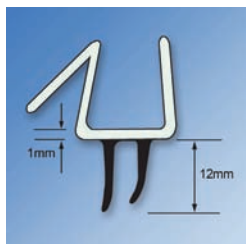
We are proud to provide customers with a comprehensive range of shower door seals to suit a number of applications. We stock a superb selection of functional door seal designs to suit your individual requirements. Whether you need a door jamb shower seal or a HJS shower seal, we can help.



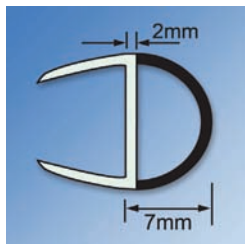
Angle Jamb Glass to Wall Shower Seal



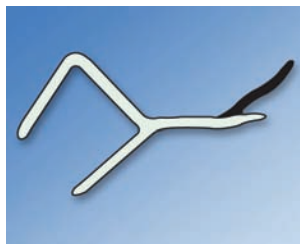
Bottom Rail Shower Seal



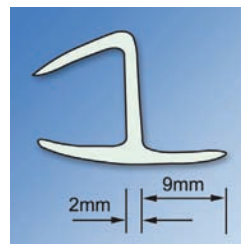
Bottom WDR Shower Seal



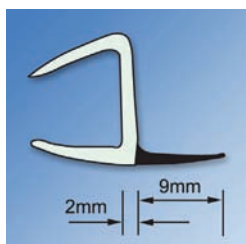
Bubble Seal 90° Shower Seal



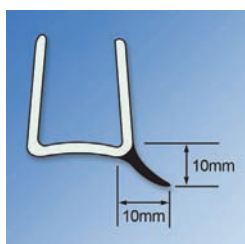
Door Jamb 135° Shower Seal



HJ Shower Seal



HJS Shower Seal



Seal and Wipe Shower Seal



Strike Jamb 90° Shower Seal



Magnetic 90° or 180° Layout Shower Seal

Frameless Glass Door Seals

The CCE range of glass sealing profiles opens up a whole new way to provide adequate seals to a frameless glass door operation. With seals that fit around the sides and tops of the door you know you can achieve a very aesthetically pleasing outcome.

For fixed partitions there are very neat minimalist profiles for fixing glass to glass or glass to wall, ceiling or floor. Currently we offer these profiles for 10mm and 12mm glass only. We also have a growing range of glass seals which are applied with 3M adhesive tape for minimum visual impact.



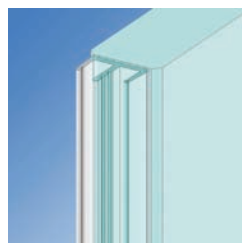
Glass Frame Seal



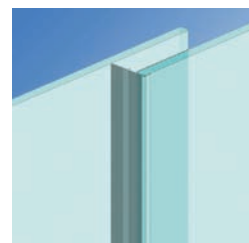
Glass to Floor Channel



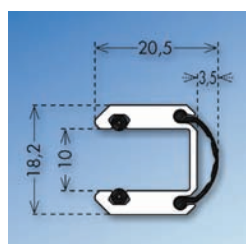
Glass to Glass Channel



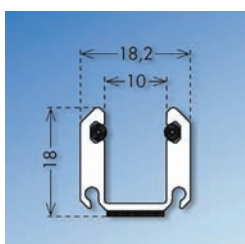
Glass Lip Slide



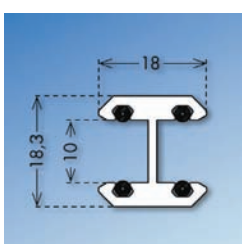
Glass Lip Seal Kit



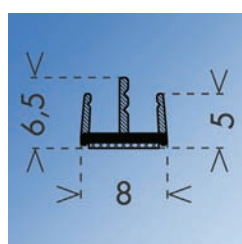
Glass Frame Seal detail - (10mm)



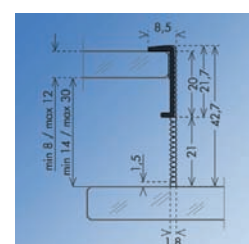
Glass to Floor Channel detail - (10mm)



Glass to Glass Channel detail - 10mm



Glass Lip Slide detail - 10mm



Glass Lip Seal Kit detail

Knobs and Handles

Specifically designed for shower enclosures.



Round Knobset Polished Chrome
05007 - 31



Round Knobset Polished or Satin Chrome
KB4035



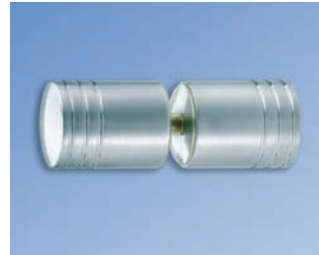
Square Knobset Polished Chrome 05030 - 31



Glass Round Knobset Polished Chrome base
CBK3838



Round Knobset Polished or Satin Chrome
KB4025



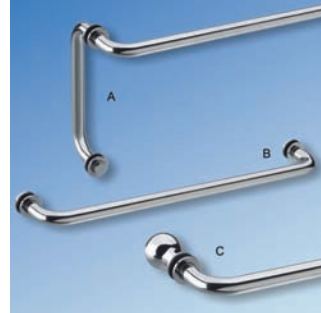
Round Knobset Polished or Satin Stainless
KB3040



Flush Inner Face with Finger Pull Cavity
Shower Door Knob & Finger Pull
Polished or Satin Chrome 541001



Round Knobset Polished Chrome
KB2440



A, H12 Towel Rail with handle
B, H01S Towel Rail
C, H01SK Towel Rail with knob



A, H26SK Handle with knob
B, H26S Single Side Handle



Indicator Lock shown with IDL52K glass
keep (sold separately) IDL52
Polished and Satin Stainless

Barrier Components Ltd., established in 1987, is now one of the leading UK stockists of quality architectural hardware, supplying products to both commercial and residential markets. We provide a one-stop shop for weather seals, brush strips, glass hardware, sliding door hardware, gate hardware, shower hardware, swing doors and much more. Check out our website to download our other product brochures.



Barrier Components Ltd

Unit 8 Dolphin Way Dolphin Point Purfleet Essex RM19 1NR
sales@barrier-components.co.uk www.barrier-components.co.uk
t: 01708 891 515 f: 01708 891 516

